

# U10 Group1

## Competitors

#	Name	Grade	Club	1	2	3	Wins	Pts	Pos
1	Breelyn MINEAU	Yellow	MOUNTAINSIDE JUDO CLUB	XX	10	10	2	20	1
2	Tarek CHIN	Yellow	Kodokwai Judo Club		XX	10	1	10	2
3	Damian RAMOS	Yellow	Nakamura Judo Club			XX	0	0	3

## Matches

Match	White			Blue	Result	Time	Code
B-1	<b>Breelyn MINEAU</b>	1	2	Tarek CHIN	10 - 0	0:00	xxx
B-8	<b>Breelyn MINEAU</b>	1	3	Damian RAMOS	10 - 0	2:00	xxx
B-14	<b>Tarek CHIN</b>	2	3	Damian RAMOS	10 - 0	2:00	xxx

## Results

Pos	Name
1	Breelyn MINEAU, MOUNTAINSIDE JUDO CLUB
2	Tarek CHIN, Kodokwai Judo Club

# U10 Group2

## Competitors

#	Name	Grade	Club	1	2	3	Wins	Pts	Pos
1	Aine O'GORMAN	Yellow	Nakamura Judo Club	XX		5	1	5	2
2	Roi NGUYEN	Yellow	Nakamura Judo Club	5	XX	5	2	10	1
3	Nikolas AMARAL	Yellow	Nakamura Judo Club			XX	0	0	3

## Matches

Match	White			Blue	Result	Time	Code
C-1	Aine O'GORMAN	1	2	<b>Roi NGUYEN</b>	0 - 5	2:00	xxx
C-5	<b>Aine O'GORMAN</b>	1	3	Nikolas AMARAL	5 - 0	2:00	xxx
C-9	<b>Roi NGUYEN</b>	2	3	Nikolas AMARAL	5 - 0	2:00	xxx

## Results

Pos	Name
1	Roi NGUYEN, Nakamura Judo Club
2	Aine O'GORMAN, Nakamura Judo Club

# U10 Group3

## Competitors

#	Name	Grade	Club	1	2	3	Wins	Pts	Pos
1	Wednesday FLAMAND	Yellow	Nakamura Judo Club	XX		5	1	5	2
2	Vsevolod OMELCHENKO	Yellow	Nakamura Judo Club	5	XX	5	2	10	1
3	Lucas KWIATKOWSKI	Yellow	BP Judo club			XX	0	0	3

## Matches

Match	White			Blue	Result	Time	Code
C-4	Wednesday FLAMAND	1	2	<b>Vsevolod OMELCHENKO</b>	0 - 5	2:00	xxx
C-7	<b>Wednesday FLAMAND</b>	1	3	Lucas KWIATKOWSKI	5 - 0	2:00	xxx
C-10	<b>Vsevolod OMELCHENKO</b>	2	3	Lucas KWIATKOWSKI	5 - 0	2:00	xxx

## Results

Pos	Name
1	Vsevolod OMELCHENKO, Nakamura Judo Club
2	Wednesday FLAMAND, Nakamura Judo Club

# U12 Female Group1

## Competitors

#	Name	Grade	Club	1	2	3	Wins	Pts	Pos
1	Aayla LEE-NEUMAN	Yellow	Moose Jaw Koseikan Judo	XX	10	10	2	20	1
2	Oksana HENKEWICH	Orange/G	Nakamura Judo Club		XX		0	0	3
3	Camilla KWIATKOWSKI	Yellow	BP Judo club		10	XX	1	10	2

## Matches

Match	White			Blue	Result	Time	Code
B-2	<b>Aayla LEE-NEUMAN</b>	1	2	Oksana HENKEWICH	10 - 0	1:43	IPO
B-7	<b>Aayla LEE-NEUMAN</b>	1	3	Camilla KWIATKOWSKI	10 - 0	0:54	IPO
B-13	Oksana HENKEWICH	2	3	<b>Camilla KWIATKOWSKI</b>	0 - 10	1:11	WIP

## Results

Pos	Name
1	Aayla LEE-NEUMAN, Moose Jaw Koseikan Judo Clu
2	Camilla KWIATKOWSKI, BP Judo club

# U12 Female Group2

## Competitors

#	Name	Grade	Club	1	2	3	4	Wins	Pts	Pos
1	Sydney HAWBOLDT	Yellow/Or	Nakamura Judo Club	XX				0	0	4
2	Mila GERVAIS	Yellow	Nakamura Judo Club	10	XX	10	10	3	30	1
3	Alivia MINEAU	Orange	MOUNTAINSIDE JUDO CLUB			XX	10	2	20	2
4	Audrey MANN	Yellow	Nakamura Judo Club	10			XX	1	10	3

## Matches

Match	White			Blue	Result	Time	Code
A-3	Sydney HAWBOLDT	1	2	<b>Mila GERVAIS</b>	0 - 10	1:01	WIP
A-4	<b>Alivia MINEAU</b>	3	4	Audrey MANN	10 - 0	1:23	WIP
A-8	Sydney HAWBOLDT	1	3	<b>Alivia MINEAU</b>	0 - 10	2:00	WIP
A-9	<b>Mila GERVAIS</b>	2	4	Audrey MANN	10 - 0	0:07	IPO
A-13	Sydney HAWBOLDT	1	4	<b>Audrey MANN</b>	0 - 10	2:00	IPO
A-14	<b>Mila GERVAIS</b>	2	3	Alivia MINEAU	10 - 0	0:27	IPO

## Results

Pos	Name
1	Mila GERVAIS, Nakamura Judo Club
2	Alivia MINEAU, MOUNTAINSIDE JUDO CLUB
3	Audrey MANN, Nakamura Judo Club

# U12 Female Group3

## Competitors

#	Name	Grade	Club	1	2	3	Wins	Pts	Pos
1	Eleanor HENNESSEY	Orange	Nakamura Judo Club	XX			0	0	3
2	Alexandra HAWBOLDT	Yellow/Or	Nakamura Judo Club	5	XX		1	5	2
3	Kathleen GILLIES	Orange	MOUNTAINSIDE JUDO CLUB	10	XX		2	20	1

## Matches

Match	White			Blue	Result	Time	Code
B-3	Eleanor HENNESSEY	1	2	Alexandra HAWBOLDT	0 - 5	2:00	WAZ
B-9	Eleanor HENNESSEY	1	3	Kathleen GILLIES	0 - 10	0:53	IPO
B-15	Alexandra HAWBOLDT	2	3	Kathleen GILLIES	0 - 10	0:07	IPO

## Results

Pos	Name
1	Kathleen GILLIES, MOUNTAINSIDE JUDO CLUB
2	Alexandra HAWBOLDT, Nakamura Judo Club

# U12 Female Group4

## Competitors

#	Name	Grade	Club	1	2	3	4	Wins	Pts	Pos
1	Eimear O'GORMAN	Orange	Nakamura Judo Club	XX	5	10		2	15	2
2	Addisson LAUDY KRASEY	Orange	Selkirk Judo Club		XX			0	0	4
3	Charlotte LEONARD	Yellow/Or	Moose Jaw Koseikan Judo		10	XX		1	10	3
4	Ava MINEAU	Orange	MOUNTAINSIDE JUDO CLUB	10	10	10	XX	3	30	1

## Matches

Match	White			Blue	Result	Time	Code
C-3	<b>Eimear O'GORMAN</b>	1	2	Addisson LAUDY KRASEY	5 - 0	2:00	WAZ
C-8	Charlotte LEONARD	3	4	<b>Ava MINEAU</b>	0 - 10	1:25	WIP
C-11	<b>Eimear O'GORMAN</b>	1	3	Charlotte LEONARD	10 - 0	0:30	IPO
C-12	Addisson LAUDY KRASEY	2	4	<b>Ava MINEAU</b>	0 - 10	2:00	IPO
C-14	Eimear O'GORMAN	1	4	<b>Ava MINEAU</b>	0 - 10	0:36	WIP
C-15	Addisson LAUDY KRASEY	2	3	<b>Charlotte LEONARD</b>	0 - 10	0:47	WIP

## Results

Pos	Name
1	Ava MINEAU, MOUNTAINSIDE JUDO CLUB
2	Eimear O'GORMAN, Nakamura Judo Club
3	Charlotte LEONARD, Moose Jaw Koseikan Judo Cl

# U12 Male Group1

## Competitors

#	Name	Grade	Club	1	2	3	Wins	Pts	Pos
1	Wolf MEAWASIGE	Yellow	MOUNTAINSIDE JUDO CLUB	XX			0	0	3
2	Eitan TARTAKOVSKY	Orange	BP Judo club	10	XX	10	2	20	1
3	Dylan CARRICO	Yellow	St. Boniface Judo Club	10		XX	1	10	2

## Matches

Match	White			Blue	Result	Time	Code
C-2	Wolf MEAWASIGE	1	2	Eitan TARTAKOVSKY	0 - 10	0:20	WIP
C-6	Wolf MEAWASIGE	1	3	Dylan CARRICO	0 - 10	0:45	IPO
C-13	Eitan TARTAKOVSKY	2	3	Dylan CARRICO	10 - 0	0:32	WIP

## Results

Pos	Name
1	Eitan TARTAKOVSKY, BP Judo club
2	Dylan CARRICO, St. Boniface Judo Club



# U12 Male Group2

## Competitors

#	Name	Grade	Club	1	2	3	Wins	Pts	Pos
1	Jake OSIPOV	Yellow	Nakamura Judo Club	XX			0	0	3
2	Noah LISTINGART	Yellow	BP Judo club	10	XX	10	2	20	1
3	Jett HONKE	Orange	Selkirk Judo Club	10		XX	1	10	2

## Matches

Match	White			Blue	Result	Time	Code
B-4	Jake OSIPOV	1	2	Noah LISTINGART	0 - 10	0:13	IPO
B-10	Jake OSIPOV	1	3	Jett HONKE	0 - 10	2:00	IPO
B-16	Noah LISTINGART	2	3	Jett HONKE	10 - 0	0:59	IPO

## Results

Pos	Name
1	Noah LISTINGART, BP Judo club
2	Jett HONKE, Selkirk Judo Club

# U12 Male Group3

## Competitors

#	Name	Grade	Club	1	2	3	4	Wins	Pts	Pos
1	Blaise LAVERGNE	Yellow	St. Boniface Judo Club	XX	10		10	2	20	2
2	Hunter KENNEDY	Orange	Selkirk Judo Club		XX			0	0	4
3	Yassine HUSSEIN	Yellow	Saskatoon Ymca Judo Club	10	10	XX	10	3	30	1
4	Jace ROBERTS	Orange	BP Judo club		10		XX	1	10	3

## Matches

Match	White			Blue	Result	Time	Code
B-5	<b>Blaise LAVERGNE</b>	1	2	Hunter KENNEDY	10 - 0	2:00	IPO
B-6	<b>Yassine HUSSEIN</b>	3	4	Jace ROBERTS	10 - 0	0:17	IPO
B-11	Blaise LAVERGNE	1	3	<b>Yassine HUSSEIN</b>	0 - 10	1:02	WIP
B-12	Hunter KENNEDY	2	4	<b>Jace ROBERTS</b>	0 - 10	2:00	IPO
B-17	<b>Blaise LAVERGNE</b>	1	4	Jace ROBERTS	10 - 0	2:00	IPO
B-18	Hunter KENNEDY	2	3	<b>Yassine HUSSEIN</b>	0 - 10	0:11	IPO

## Results

Pos	Name
1	Yassine HUSSEIN, Saskatoon Ymca Judo Club
2	Blaise LAVERGNE, St. Boniface Judo Club
3	Jace ROBERTS, BP Judo club

# U18 Female -48kg

## Competitors

#	Name	Grade	Club	1	2	3	Wins	Pts	Pos
1	Christina KARAS	Blue	Kodokwai Judo Club	XX		10	1	10	2
2	Valeria KOSTROVETS	Brown	C058 Club de judo MÃ©tro	5	XX	10	2	15	1
3	Chloe STUBER	Blue	Medicine Hat Judo Club			XX	0	0	3

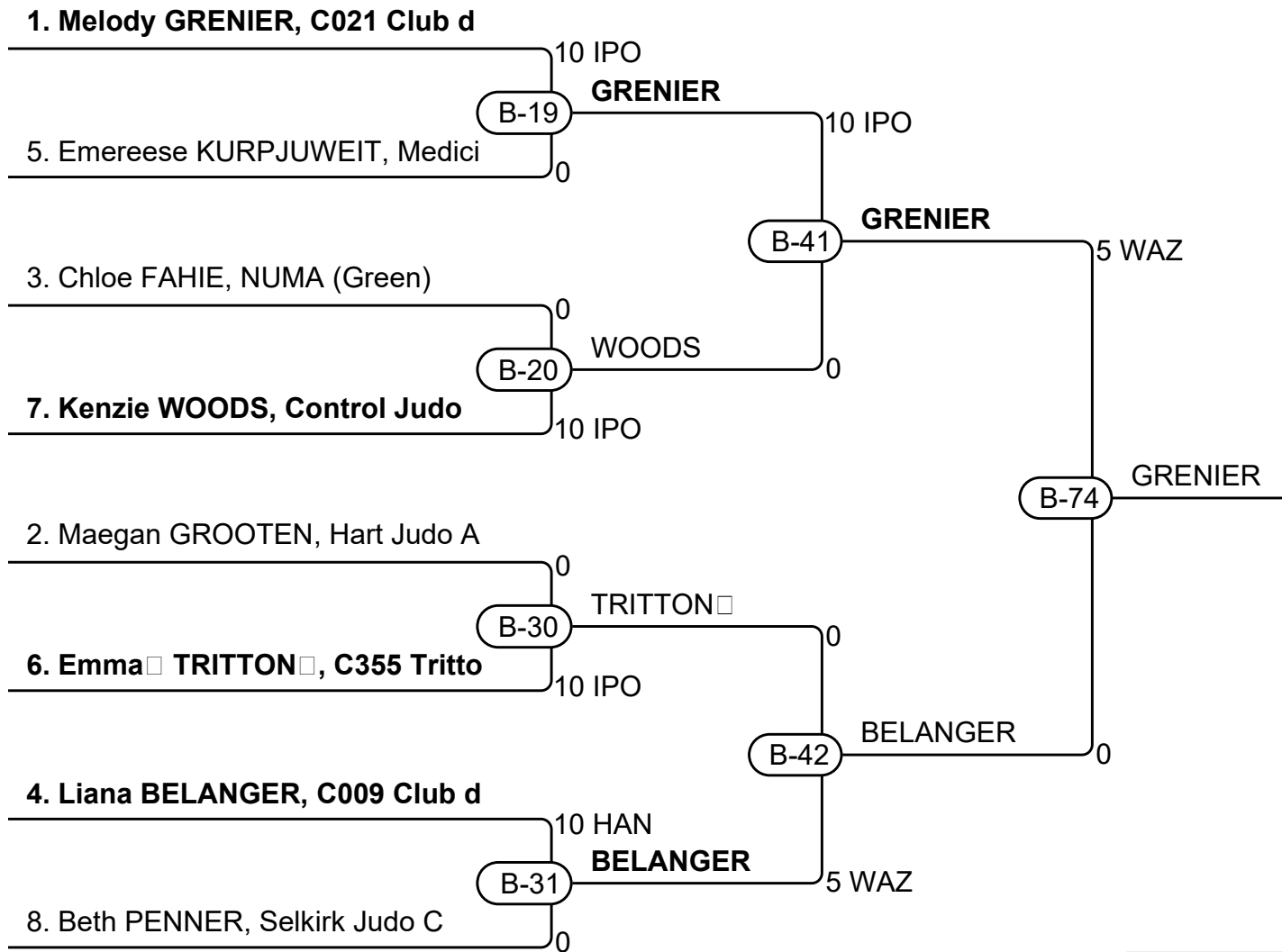
## Matches

Match	White			Blue	Result	Time	Code
C-24	Christina KARAS	1	2	<b>Valeria KOSTROVETS</b>	0 - 5	4:00	WAZ
C-37	<b>Christina KARAS</b>	1	3	Chloe STUBER	10 - 0	1:27	IPO
C-50	<b>Valeria KOSTROVETS</b>	2	3	Chloe STUBER	10 - 0	0:58	IPO

## Results

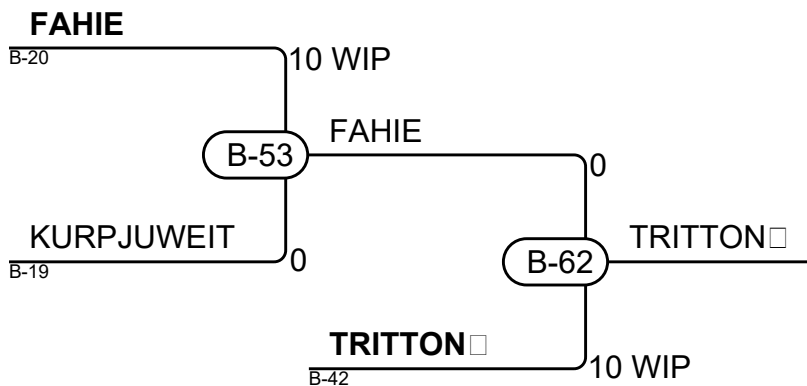
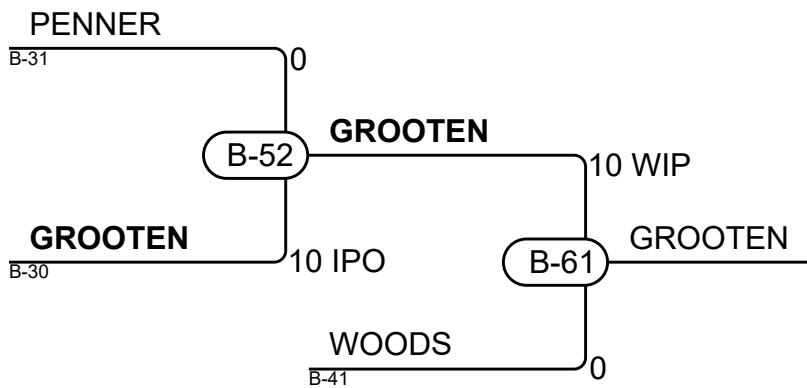
Pos	Name
1	Valeria KOSTROVETS, C058 Club de judo MÃ©trop
2	Christina KARAS, Kodokwai Judo Club

# U18 Female -52kg



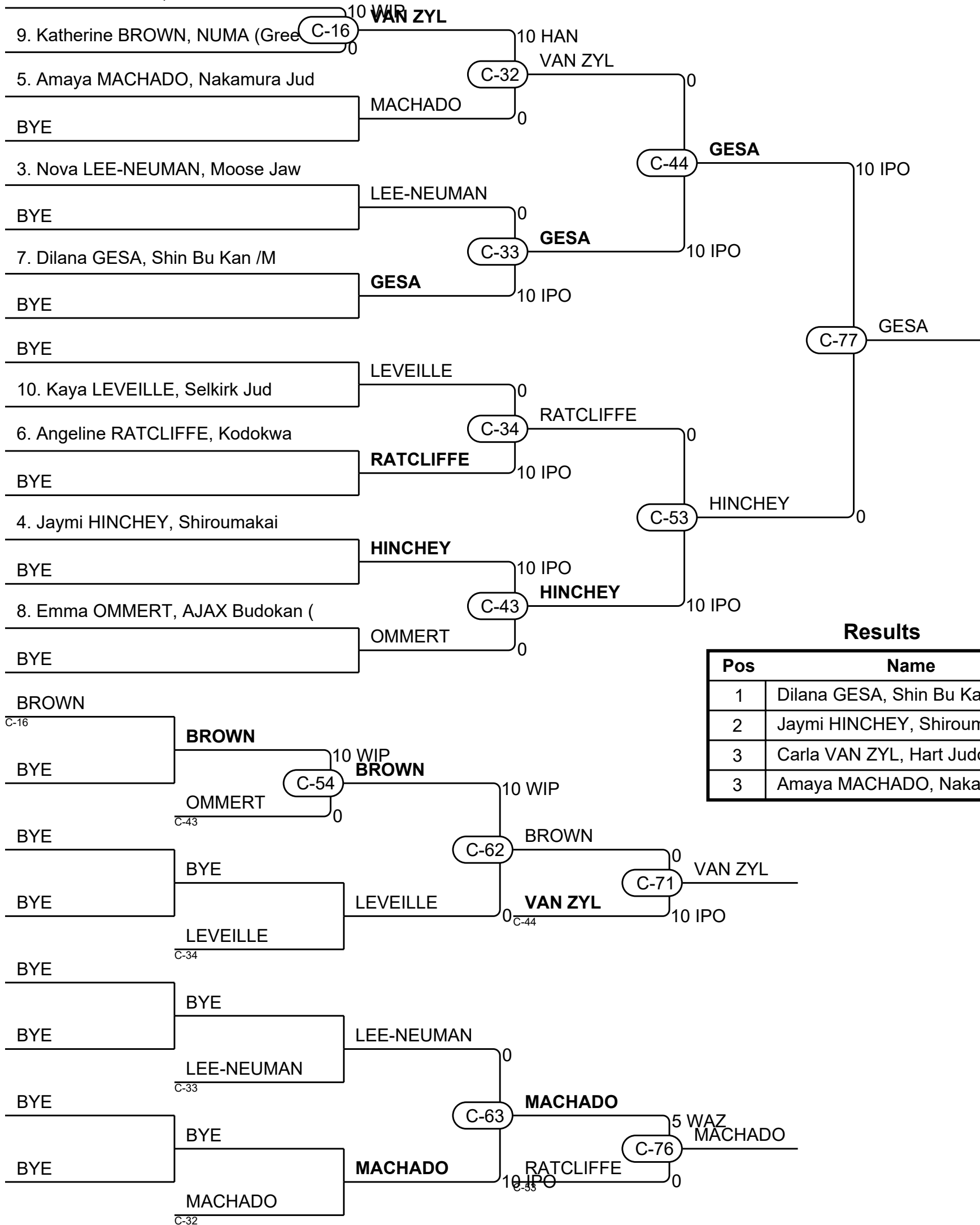
## Results

Pos	Name
1	Melody GRENIER, C021 Club
2	Liana BELANGER, C009 Club
3	Maegan GROOTEN, Hart Judo
3	Emma TRITTON, C355 Tritt



# U18 Female -57kg

## 1. Carla VAN ZYL, Hart Judo Ac



## Results

Pos	Name
1	Dilana GESA, Shin Bu Kan /
2	Jaymi HINCHEY, Shiroumakai
3	Carla VAN ZYL, Hart Judo A
3	Amaya MACHADO, Nakamura Ju

# U18 Female -63kg

## Competitors A

#	Name	Grade	Club	1	2	3	4	Wins	Pts	Pos
1	Victoria SUMMERS	Brown	AJAX Budokan	XX				0	0	4
2	Lia HINCHEY	Brown	Shiroumakai	10	XX		10	2	20	2
3	Sara-Anne BEAUDIN	Shodan	C055 AcadÃ©mie de Judo de	10	10	XX	10	3	30	1
4	Mckenna STEWART	Blue	Selkirk Judo Club	10			XX	1	10	3

## Matches A

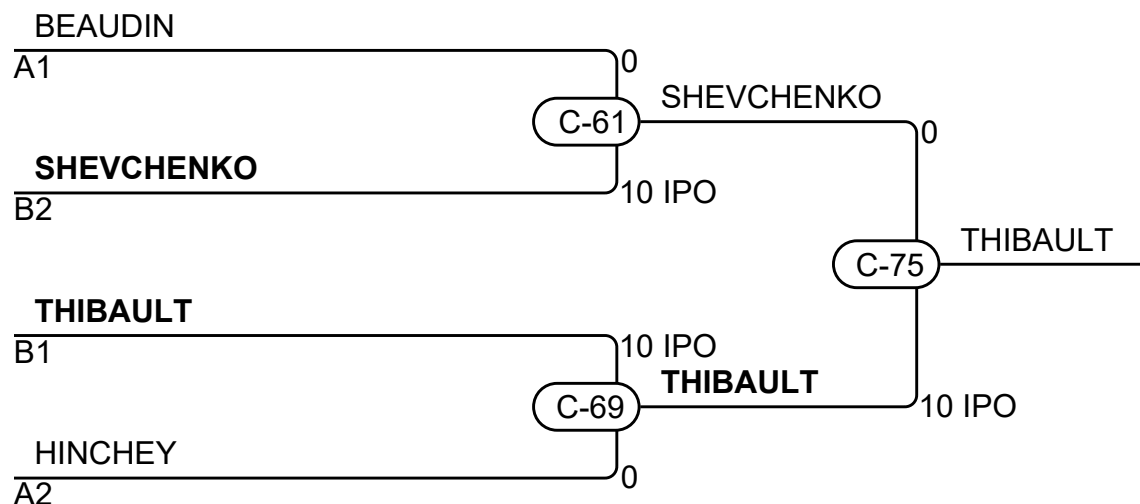
Match	White	Blue	Result	Time	Code
C-17	Victoria SUMMERS 1 2	Lia HINCHEY	0 - 10	2:22	WIP
C-22	Sara-Anne BEAUDIN 3 4	Mckenna STEWART	10 - 0	0:35	IPO
C-31	Victoria SUMMERS 1 3	Sara-Anne BEAUDIN	0 - 10	0:12	KIK
C-41	Lia HINCHEY 2 4	Mckenna STEWART	10 - 0	1:58	WIP
C-51	Victoria SUMMERS 1 4	Mckenna STEWART	0 - 10	0:00	KIK
C-52	Lia HINCHEY 2 3	Sara-Anne BEAUDIN	0 - 10	0:20	IPO

## Competitors B

#	Name	Grade	Club	5	6	7	Wins	Pts	Pos
5	Leah MCLEAN	Blue	Shiroumakai	XX			0	0	3
6	Charlie THIBAUT	Brown	C263 Club de judo SeÃ´ki	10	XX	10	2	20	1
7	Sophia SHEVCHENKO	Brown	Champion Judo Club	10		XX	1	10	2

## Matches B

Match	White	Blue	Result	Time	Code
C-30	Leah MCLEAN 5 6	Charlie THIBAUT	0 - 10	1:25	IPO
C-42	Leah MCLEAN 5 7	Sophia SHEVCHENKO	0 - 10	1:13	WIP
C-60	Charlie THIBAUT 6 7	Sophia SHEVCHENKO	10 - 0	1:05	IPO



## Results

Pos	Name
1	Charlie THIBAUT, C263 Club de judo SeÃ´kidok
2	Sophia SHEVCHENKO, Champion Judo Club
3	Sara-Anne BEAUDIN, C055 AcadÃ©mie de Judo de
3	Lia HINCHEY, Shiroumakai

# U18 Female -70kg

## Competitors

#	Name	Grade	Club	1	2	3	4	Wins	Pts	Pos
1	Azra BENIC	Green	Saskatoon Ymca Judo Club	XX				0	0	4
2	Charline BOURQUE	Brown	C021 Club de Judo Bouche	10	XX	10	10	3	30	1
3	Missy Jen DORVAL-MBELE	Brown	C058 Club de judo MÃ©tro	10		XX	5	2	15	2
4	Abigail SMITH	Brown	NUMA	10			XX	1	10	3

## Matches

Match	White			Blue	Result	Time	Code
C-21	Azra BENIC	1	2	<b>Charline BOURQUE</b>	0 - 10	1:23	WIP
C-38	<b>Missy Jen DORVAL-MBELE</b>	3	4	Abigail SMITH	5 - 0	4:00	WAZ
C-47	Azra BENIC	1	3	<b>Missy Jen DORVAL-MBELE</b>	0 - 10	1:07	IPO
C-57	<b>Charline BOURQUE</b>	2	4	Abigail SMITH	10 - 0	0:43	WIP
C-66	Azra BENIC	1	4	<b>Abigail SMITH</b>	0 - 10	1:31	IPO
C-70	<b>Charline BOURQUE</b>	2	3	Missy Jen DORVAL-MBELE	10 - 0	1:20	WIP

## Results

Pos	Name
1	Charline BOURQUE, C021 Club de Judo Bouchervi
2	Missy Jen DORVAL-MBELE, C058 Club de judo MÃ©tro
3	Abigail SMITH, NUMA

# U18 Male -50kg

## Competitors

#	Name	Grade	Club	1	2	3	4	5	Wins	Pts	Pos
1	Huxley BRIGGS	Blue	Shiroumakai	XX					0	0	5
2	Justin WEBBER	Brown	Hiro's Judo Club	10	XX	10	10	10	4	40	1
3	Tobin HINTON	Blue/Brown	OSP Police Judo Juniors	10		XX	10		2	20	3
4	Mekhi REDDICK	Blue	Kanokai Judo Club	10			XX		1	10	4
5	Mohammad TURAJEV	Blue	NUMA	10		10	10	XX	3	30	2

## Matches

Match	White			Blue	Result	Time	Code
A-26	Mekhi REDDICK	4	5	Mohammad TURAJEV	0 - 10	2:04	WIP
A-27	Huxley BRIGGS	1	2	Justin WEBBER	0 - 10	0:19	IPO
A-36	<b>Tobin HINTON</b>	3	4	Mekhi REDDICK	10 - 0	1:36	IPO
A-37	Huxley BRIGGS	1	5	Mohammad TURAJEV	0 - 10	1:42	WIP
A-46	<b>Justin WEBBER</b>	2	3	Tobin HINTON	10 - 0	2:19	IPO
A-47	Huxley BRIGGS	1	4	<b>Mekhi REDDICK</b>	0 - 10	3:03	IPO
A-56	Tobin HINTON	3	5	Mohammad TURAJEV	0 - 10	0:43	IPO
A-57	<b>Justin WEBBER</b>	2	4	Mekhi REDDICK	10 - 0	0:11	IPO
A-65	Huxley BRIGGS	1	3	<b>Tobin HINTON</b>	0 - 10	1:47	IPO
A-69	<b>Justin WEBBER</b>	2	5	Mohammad TURAJEV	10 - 0	6:07	HAN

## Results

Pos	Name
1	Justin WEBBER, Hiro's Judo Club
2	Mohammad TURAJEV, NUMA
3	Tobin HINTON, OSP Police Judo Juniors
4	Mekhi REDDICK, Kanokai Judo Club



# U18 Male -55kg

## Competitors

#	Name	Grade	Club	1	2	3	Wins	Pts	Pos
1	Jackson GILLIES	Brown	MOUNTAINSIDE JUDO CLUB	XX			0	0	3
2	Maksym KLYMENKO	Blue	OSP Police Judo Juniors	10	XX		1	10	2
3	Sebastien FECTEAU	Brown	C009 Club de judo To Haku	10	10	XX	2	20	1

## Matches

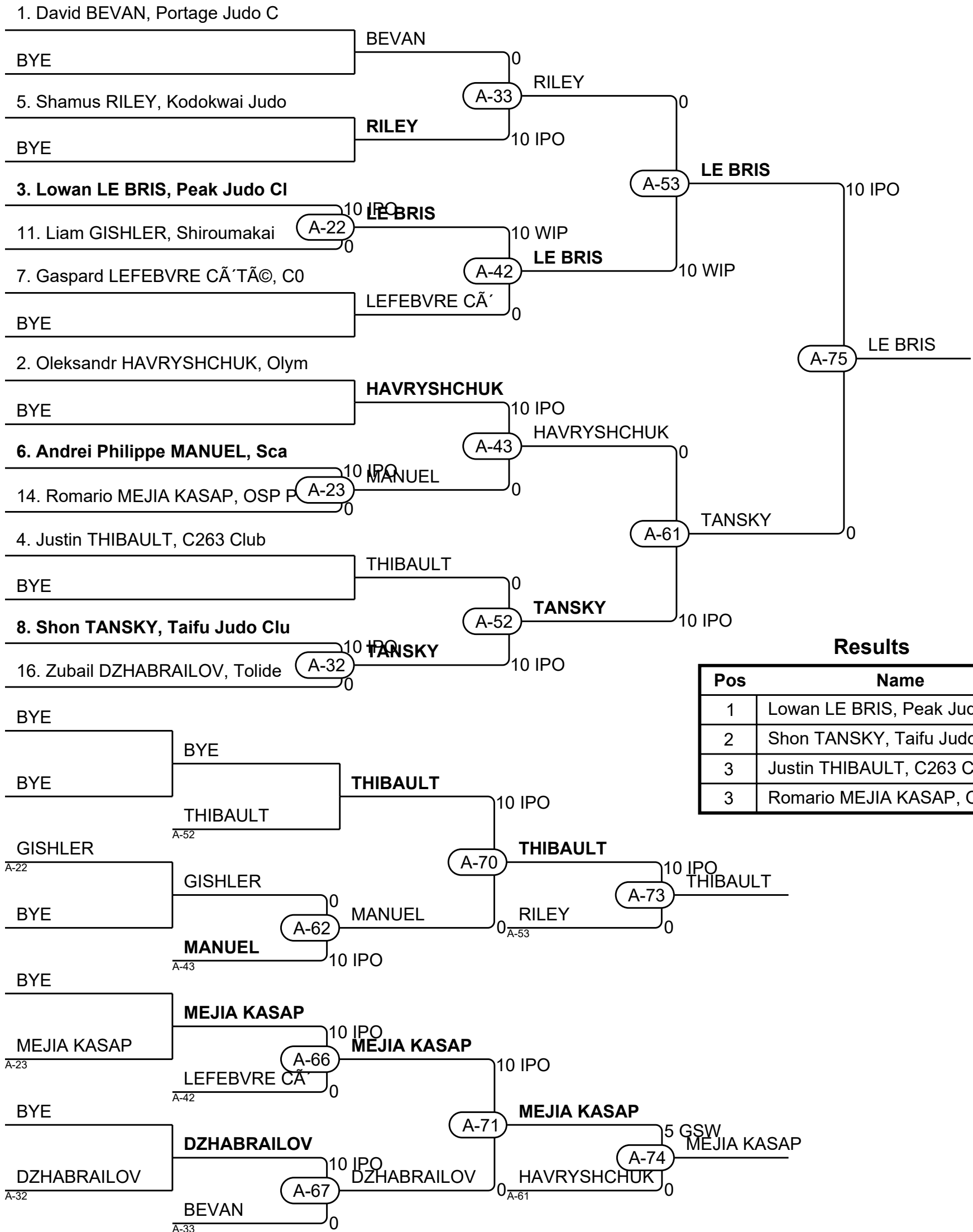
Match	White			Blue	Result	Time	Code
B-29	Jackson GILLIES	1	2	Maksym KLYMENKO	0 - 10	6:06	HAN
B-40	Jackson GILLIES	1	3	Sebastien FECTEAU	0 - 10	0:10	IPO
B-51	Maksym KLYMENKO	2	3	Sebastien FECTEAU	0 - 10	0:49	IPO

## Results

Pos	Name
1	Sebastien FECTEAU, C009 Club de judo To Haku
2	Maksym KLYMENKO, OSP Police Judo Juniors



# U18 Male -66kg



# U18 Male -73kg

## Competitors A

#	Name	Grade	Club	1	2	3	Wins	Pts	Pos
1	Malakai KURPJUWEIT	Brown	Medicine Hat Judo Club	XX			0	0	3
2	Alex UDEBASHVILI	Blue	Taifu Judo Club	10	XX	10	2	20	1
3	Rayden ZELENKA	Brown	AJAX Budokan	10		XX	1	10	2

## Matches A

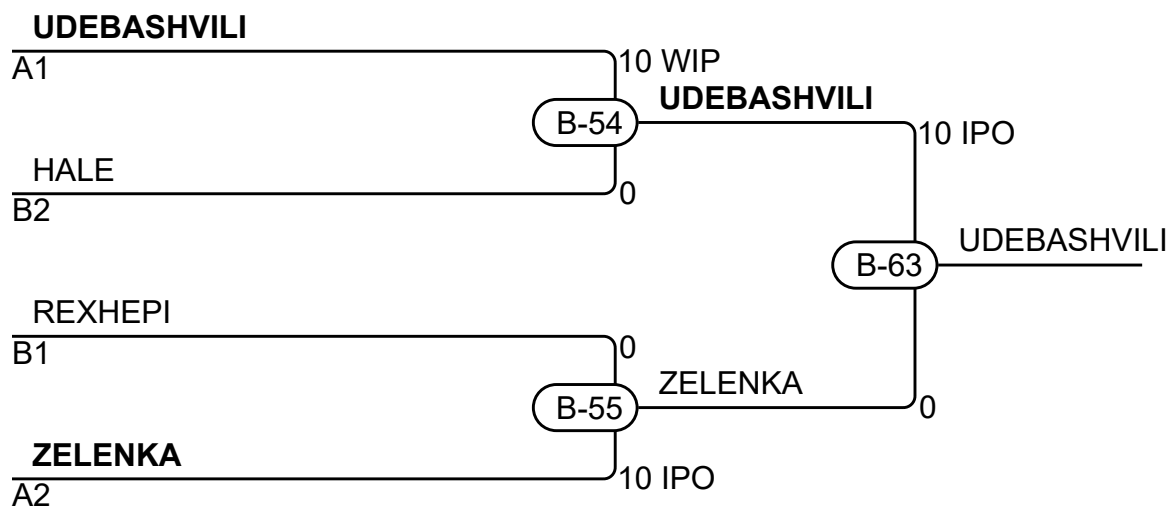
Match	White	Blue	Result	Time	Code
B-21	Malakai KURPJUWEIT 1 2	Alex UDEBASHVILI	0 - 10	1:16	WIP
B-32	Malakai KURPJUWEIT 1 3	Rayden ZELENKA	0 - 10	1:00	IPO
B-43	Alex UDEBASHVILI 2 3	Rayden ZELENKA	10 - 0	1:22	IPO

## Competitors B

#	Name	Grade	Club	4	5	6	Wins	Pts	Pos
4	Reinis REXHEPI	Brown	Hayabusakan	XX	10	10	2	20	1
5	Jaxon HALE	Blue	Nakamura Judo Club		XX	10	1	10	2
6	Thomas CAMPBELL	Blue	NUMA			XX	0	0	3

## Matches B

Match	White	Blue	Result	Time	Code
B-22	Reinis REXHEPI 4 5	Jaxon HALE	10 - 0	2:30	HAN
B-33	Reinis REXHEPI 4 6	Thomas CAMPBELL	10 - 0	2:53	IPO
B-44	Jaxon HALE 5 6	Thomas CAMPBELL	10 - 0	1:32	WIP



## Results

Pos	Name
1	Alex UDEBASHVILI, Taifu Judo Club
2	Rayden ZELENKA, AJAX Budokan
3	Jaxon HALE, Nakamura Judo Club
3	Reinis REXHEPI, Hayabusakan

# U18 Male -81kg

## Competitors

#	Name	Grade	Club	1	2	3	4	5	Wins	Pts	Pos
1	Maxim CURRIE	Brown	AJAX Budokan	XX	10	10	10	10	4	40	1
2	Owen BILODEAU	Green	NUMA		XX	10		10	2	20	3
3	Abdel Rahman SAYED AHMED	Green/Blu	OSP Police Judo Juniors			XX		10	1	10	4
4	Amir SAID MOHAMMAD	Blue	Kodokwai Judo Club		10	10	XX	10	3	30	2
5	Felipe SKILNIK WILK	Green	Nakamura Judo Club					XX	0	0	5

## Matches

Match	White			Blue	Result	Time	Code
A-24	<b>Amir SAID MOHAMMAD</b>	4	5	Felipe SKILNIK WILK	10 - 0	0:40	IPO
A-25	<b>Maxim CURRIE</b>	1	2	Owen BILODEAU	10 - 0	0:15	IPO
A-34	Abdel Rahman SAYED AHMED	3	4	<b>Amir SAID MOHAMMAD</b>	0 - 10	2:05	WIP
A-35	<b>Maxim CURRIE</b>	1	5	Felipe SKILNIK WILK	10 - 0	0:15	IPO
A-44	<b>Owen BILODEAU</b>	2	3	Abdel Rahman SAYED AHMED	10 - 0	0:45	IPO
A-45	<b>Maxim CURRIE</b>	1	4	Amir SAID MOHAMMAD	10 - 0	3:04	IPO
A-54	<b>Abdel Rahman SAYED AHMED</b>	3	5	Felipe SKILNIK WILK	10 - 0	0:20	IPO
A-55	Owen BILODEAU	2	4	<b>Amir SAID MOHAMMAD</b>	0 - 10	1:58	WIP
A-63	<b>Maxim CURRIE</b>	1	3	Abdel Rahman SAYED AHMED	10 - 0	0:16	IPO
A-64	<b>Owen BILODEAU</b>	2	5	Felipe SKILNIK WILK	10 - 0	0:32	IPO

## Results

Pos	Name
1	Maxim CURRIE, AJAX Budokan
2	Amir SAID MOHAMMAD, Kodokwai Judo Club
3	Owen BILODEAU, NUMA
4	Abdel Rahman SAYED AHMED, OSP Police Judo Jun

# U18 Male -90kg

## Competitors

#	Name	Grade	Club	1	2	3	4	Wins	Pts	Pos
1	Dalin KYMANICK	Blue	Selkirk Judo Club	XX				0	0	4
2	Eden KHALFON	Brown	Taifu Judo Club	10	XX		10	2	20	2
3	Julian GISSING	Brown	Judo Nunavut	10	10	XX	10	3	30	1
4	Jacob DUDGEON-SYKES	Blue	Portage Judo Club	10			XX	1	10	3

## Matches

Match	White		Blue		Result	Time	Code
C-40	Dalin KYMANICK	1	2	<b>Eden KHALFON</b>	0 - 10	1:00	IPO
C-49	<b>Julian GISSING</b>	3	4	Jacob DUDGEON-SYKES	10 - 0	0:50	IPO
C-59	Dalin KYMANICK	1	3	<b>Julian GISSING</b>	0 - 10	0:19	WIP
C-68	<b>Eden KHALFON</b>	2	4	Jacob DUDGEON-SYKES	10 - 0	6:41	HAN
C-73	Dalin KYMANICK	1	4	<b>Jacob DUDGEON-SYKES</b>	0 - 10	0:24	WIP
C-74	Eden KHALFON	2	3	<b>Julian GISSING</b>	0 - 10	0:32	IPO

## Results

Pos	Name
1	Julian GISSING, Judo Nunavut
2	Eden KHALFON, Taifu Judo Club
3	Jacob DUDGEON-SYKES, Portage Judo Club

# U18 Male +90kg

## Competitors

#	Name	Grade	Club	1	Wins	Pts	Pos
1	Cai JAMES	Blue	Balmoral Judo Club	XX	0	0	1

## Matches

Match	White	Blue	Result	Time	Code
-------	-------	------	--------	------	------

## Results

Pos	Name

# U21 Female -52kg

## Competitors

#	Name	Grade	Club	1	2	3	Wins	Pts	Pos
1	Aida Miko SHIMA	Brown	Kodokwai Judo Club	XX		10	1	10	2
2	Avery GIBNEY	Shodan	Moose Jaw Koseikan Judo	10	XX	10	2	20	1
3	Kiandra CHRIST-BONNELL	Brown	Nakamura Judo Club			XX	0	0	3

## Matches

Match	White			Blue	Result	Time	Code
B-28	Aida Miko SHIMA	1	2	<b>Avery GIBNEY</b>	0 - 10	1:16	IPO
B-39	<b>Aida Miko SHIMA</b>	1	3	Kiandra CHRIST-BONNELL	10 - 0	0:35	WIP
B-50	<b>Avery GIBNEY</b>	2	3	Kiandra CHRIST-BONNELL	10 - 0	0:18	IPO

## Results

Pos	Name
1	Avery GIBNEY, Moose Jaw Koseikan Judo Club
2	Aida Miko SHIMA, Kodokwai Judo Club



# U21 Female -57kg

## Competitors

#	Name	Grade	Club	1	2	3	Wins	Pts	Pos
1	Inara BARDAI	Brown	C355 Tritton Judo	XX	5	10	2	15	1
2	Kolbi FENRICK	Shodan	Moose Jaw Koseikan Judo		XX		0	0	3
3	Juniper WONG	Brown	Action and Reaction MMA		10	XX	1	10	2

## Matches

Match	White			Blue	Result	Time	Code
C-19	Inara BARDAI	1	2	Kolbi FENRICK	5 - 0	4:16	GSW
C-23	Inara BARDAI	1	3	Juniper WONG	10 - 0	5:05	HAN
C-29	Kolbi FENRICK	2	3	<b>Juniper WONG</b>	0 - 10	2:02	IPO

## Results

Pos	Name
1	Inara BARDAI, C355 Tritton Judo
2	Juniper WONG, Action and Reaction MMA

# U21 Female -63kg

## Competitors

#	Name	Grade	Club	1	2	3	4	5	Wins	Pts	Pos
1	Monica LAQUI ORTIZ	Brown	Inner City Judo Club	XX		10			1	10	4
2	Sarah EKOSKY	Shodan	Selkirk Judo Club	10	XX	10	10	10	4	40	1
3	Katherine GAULIN	Brown	C138 Club Juvaldo inc.			XX			0	0	5
4	Vivian WHITTON	Brown	AJAX Budokan	10		10	XX		2	20	3
5	Margot CHEVALIER	Brown	Hayabusakan	10		10	10	XX	3	30	2

## Matches

Match	White			Blue	Result	Time	Code
B-25	Vivian WHITTON	4	5	Margot CHEVALIER	0 - 10	3:28	HAN
B-26	Monica LAQUI ORTIZ	1	2	Sarah EKOSKY	0 - 10	0:17	IPO
B-36	Katherine GAULIN	3	4	Vivian WHITTON	0 - 10	0:48	IPO
B-37	Monica LAQUI ORTIZ	1	5	Margot CHEVALIER	0 - 10	0:07	IPO
B-47	Sarah EKOSKY	2	3	Katherine GAULIN	10 - 0	0:39	IPO
B-48	Monica LAQUI ORTIZ	1	4	Vivian WHITTON	0 - 10	0:53	IPO
B-58	Katherine GAULIN	3	5	Margot CHEVALIER	0 - 10	0:23	IPO
B-59	Sarah EKOSKY	2	4	Vivian WHITTON	10 - 0	1:54	IPO
B-69	Monica LAQUI ORTIZ	1	3	Katherine GAULIN	10 - 0	0:10	IPO
B-70	Sarah EKOSKY	2	5	Margot CHEVALIER	10 - 0	1:47	IPO

## Results

Pos	Name
1	Sarah EKOSKY, Selkirk Judo Club
2	Margot CHEVALIER, Hayabusakan
3	Vivian WHITTON, AJAX Budokan
4	Monica LAQUI ORTIZ, Inner City Judo Club

# U21 Female -70kg

## Competitors

#	Name	Grade	Club	1	Wins	Pts	Pos
1	Elizabeth COSSITT	Brown	Kodokwai Judo Club	XX	0	0	1

## Matches

Match	White	Blue	Result	Time	Code
-------	-------	------	--------	------	------

## Results

Pos	Name

# U21 Female +78kg

## Competitors

#	Name	Grade	Club	1	Wins	Pts	Pos
1	Alisa KOFMAN	Brown	Challenge Sports Club	XX	0	0	1

## Matches

Match	White	Blue	Result	Time	Code
-------	-------	------	--------	------	------

## Results

Pos	Name

# U21 Male -60kg

## Competitors

#	Name	Grade	Club	1	2	1	2	1	2	Wins	Pts	Pos
1	Tayven TREMBLAY	Shodan	St. Albert Tokai Judo So	XX	10	XX	10	XX		2	20	1
2	Sofiane BOUSBIAT	Brown	C021 Club de Judo Bouche		XX		XX		XX	0	0	2

## Matches

Match	White			Blue	Result	Time	Code
A-30	<b>Tayven TREMBLAY</b>	1	2	Sofiane BOUSBIAT	10 - 0	2:04	IPO
A-40	Sofiane BOUSBIAT	2	1	<b>Tayven TREMBLAY</b>	0 - 10	0:54	IPO
A-50	Tayven TREMBLAY	1	2	Sofiane BOUSBIAT			

## Results

Pos	Name
1	Tayven TREMBLAY, St. Albert Tokai Judo Societ



# U21 Male -73kg

## Competitors

#	Name	Grade	Club	1	2	3	4	Wins	Pts	Pos
1	Charlie LAUNDER	Brown	Keisatsu Judo Winnipeg	XX				0	0	4
2	Nicolas VILLA	Brown	Nakamura Judo Club	10	XX		10	2	20	2
3	Louis-Maxime DUBE	Shodan	C102 Club judokas Jonqui	10	5	XX	10	3	25	1
4	Riley STANG	Brown	Saskatoon Ymca Judo Club	10			XX	1	10	3

## Matches

Match	White			Blue	Result	Time	Code
C-20	Charlie LAUNDER	1	2	Nicolas VILLA	0 - 10	2:24	IPO
C-39	Louis-Maxime DUBE	3	4	Riley STANG	10 - 0	2:07	WIP
C-48	Charlie LAUNDER	1	3	Louis-Maxime DUBE	0 - 10	0:47	IPO
C-58	Nicolas VILLA	2	4	Riley STANG	10 - 0	1:37	IPO
C-67	Charlie LAUNDER	1	4	Riley STANG	0 - 10	0:00	KIK
C-72	Nicolas VILLA	2	3	Louis-Maxime DUBE	0 - 5	4:00	WAZ

## Results

Pos	Name
1	Louis-Maxime DUBE, C102 Club judokas Jonqui
2	Nicolas VILLA, Nakamura Judo Club
3	Riley STANG, Saskatoon Ymca Judo Club

# U21 Male -81kg

## Competitors A

#	Name	Grade	Club	1	2	3	Wins	Pts	Pos
1	Porter GUY	Shodan	Peterborough Hatashita	XX		10	1	10	2
2	Habib SAID MOHAMMAD	Brown	Kodokwai Judo Club	5	XX	10	2	15	1
3	Alexandru SANDU	Blue	Ishi Yama Institute Of J			XX	0	0	3

## Matches A

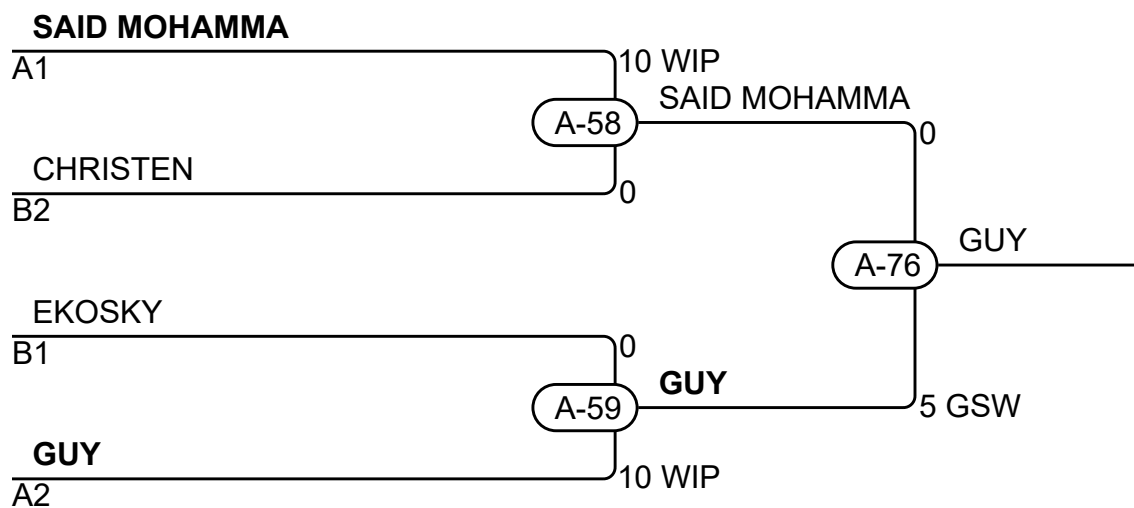
Match	White	Blue	Result	Time	Code
A-28	Porter GUY	1 2 Habib SAID MOHAMMAD	0 - 5	4:00	WAZ
A-38	Porter GUY	1 3 Alexandru SANDU	10 - 0	1:56	IPO
A-48	Habib SAID MOHAMMAD	2 3 Alexandru SANDU	10 - 0	1:20	WIP

## Competitors B

#	Name	Grade	Club	4	5	6	Wins	Pts	Pos
4	Kaleb CHRISTEN	Shodan	Abbotsford Judo Club	XX	10		1	10	2
5	Garrett PARKER	Brown	Barracuda Judo Club		XX		0	0	3
6	Daniel EKOSKY	Shodan	Selkirk Judo Club	5	10	XX	2	15	1

## Matches B

Match	White	Blue	Result	Time	Code
A-29	Kaleb CHRISTEN	4 5 Garrett PARKER	10 - 0	1:31	WIP
A-39	Kaleb CHRISTEN	4 6 Daniel EKOSKY	0 - 5	4:00	WAZ
A-49	Garrett PARKER	5 6 Daniel EKOSKY	0 - 10	1:15	IPO



## Results

Pos	Name
1	Porter GUY, Peterborough Hatashita
2	Habib SAID MOHAMMAD, Kodokwai Judo Club
3	Kaleb CHRISTEN, Abbotsford Judo Club
3	Daniel EKOSKY, Selkirk Judo Club



# Sr Male NW -81kg

## Competitors A

#	Name	Grade	Club	1	2	3	Wins	Pts	Pos
1	Billy-Joe BALDONADO	Blue	Ishi Yama Institute Of J	XX	20		1	20	2
2	Malakai Kurpjuweit	Brown	Medicine Hat Judo Club		XX		0	0	3
3	Jaime CAMPOS	Brown	Nakamura Judo Club	14	20	XX	2	34	1

## Matches A

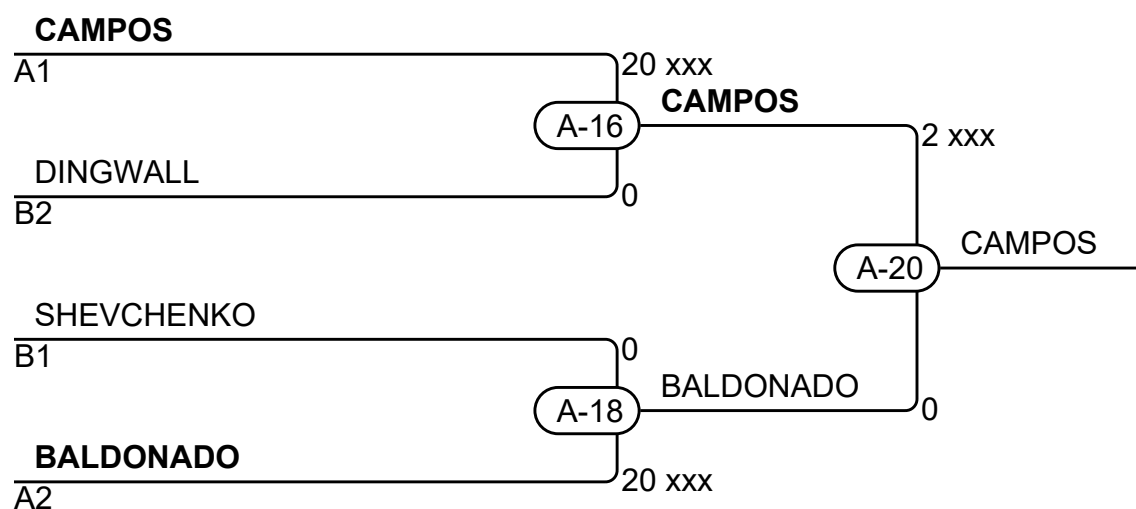
Match	White	Blue	Result	Time	Code
A-1	<b>Billy-Joe BALDONADO</b>	1 2 Malakai Kurpjuweit	20 - 0	1:25	xxx
A-5	Billy-Joe BALDONADO	1 3 <b>Jaime CAMPOS</b>	0 - 14	4:00	xxx
A-11	Malakai Kurpjuweit	2 3 <b>Jaime CAMPOS</b>	0 - 20	3:23	xxx

## Competitors B

#	Name	Grade	Club	4	5	6	Wins	Pts	Pos
4	Taras SHEVCHENKO	Brown	Champion Judo Club	XX	20	20	2	40	1
5	Jr DINGWALL	Shodan	South Corman Park Judo C		XX	20	1	20	2
6	Benison RAMOS	Green	Nakamura Judo Club			XX	0	0	3

## Matches B

Match	White	Blue	Result	Time	Code
A-2	<b>Taras SHEVCHENKO</b>	4 5 Jr DINGWALL	20 - 0	1:29	xxx
A-6	<b>Taras SHEVCHENKO</b>	4 6 Benison RAMOS	20 - 0	3:03	xxx
A-12	<b>Jr DINGWALL</b>	5 6 Benison RAMOS	20 - 0	3:04	xxx



## Results

Pos	Name
1	Jaime CAMPOS, Nakamura Judo Club
2	Billy-Joe BALDONADO, Ishi Yama Institute Of J
3	Jr DINGWALL, South Corman Park Judo Club
3	Taras SHEVCHENKO, Champion Judo Club

# Sr Male NW +81kg

## Competitors

#	Name	Grade	Club	1	2	3	Wins	Pts	Pos
1	ROBIN KURPJUWEIT	Shodan	Medicine Hat Judo Club	XX		20	1	20	2
2	Richard TURNER	Brown	Ishi Yama Institute Of J	20	XX	20	2	40	1
3	P.wade CAMPBELL	Brown	Portage Judo Club			XX	0	0	3

## Matches

Match	White			Blue	Result	Time	Code
A-7	ROBIN KURPJUWEIT	1	2	Richard TURNER	0 - 20	1:06	xxx
A-10	ROBIN KURPJUWEIT	1	3	P.wade CAMPBELL	20 - 0	2:17	xxx
A-15	Richard TURNER	2	3	P.wade CAMPBELL	20 - 0	0:51	xxx

## Results

Pos	Name
1	Richard TURNER, Ishi Yama Institute Of Judo
2	ROBIN KURPJUWEIT, Medicine Hat Judo Club

# Vet Male NW -100kg

## Competitors

#	Name	Grade	Club	1	2	1	2	1	2	Wins	Pts	Pos
1	Jr DINGWALL	Shodan	South Corman Park Judo C	XX		XX		XX		0	0	2
2	ROBIN KURPJUWEIT	Shodan	Medicine Hat Judo Club	20	XX	20	XX		XX	2	40	1

## Matches

Match	White			Blue	Result	Time	Code
A-17	Jr DINGWALL	1	2	<b>ROBIN KURPJUWEIT</b>	0 - 20	0:51	xxx
A-19	<b>ROBIN KURPJUWEIT</b>	2	1	Jr DINGWALL	20 - 0	0:58	xxx
A-21	Jr DINGWALL	1	2	ROBIN KURPJUWEIT			xxx

## Results

Pos	Name
1	ROBIN KURPJUWEIT, Medicine Hat Judo Club