

# SenF Adv -52kg

## Competitors

#	Name	Grade	Club	1	2	3	4	5	Wins	Pts	Pos
1	Avery GIBNEY	Brown	Moose Jaw	XX	10				1	10	4
2	Kiandra CHRIST-BONNELL	Brown	Nakamura		XX				0	0	5
3	Violette LOUET	Shodan	Judo Monde	10	10	XX	10	5	4	35	1
4	Aida Miko SHIMA	Brown	Kodokwai	10	5		XX		2	15	3
5	Isla DIESMOS	Brown	Hiro's	10	10		10	XX	3	30	2

## Matches

Match	White			Blue	Result	Time	Code
A-36	Aida Miko SHIMA	4	5	Isla DIESMOS	0 - 10	1:00	IPO
A-37	Avery GIBNEY	1	2	Kiandra CHRIST-BONNELL	10 - 0	0:09	IPO
A-41	Violette LOUET	3	4	Aida Miko SHIMA	10 - 0	1:32	IPO
A-42	Avery GIBNEY	1	5	Isla DIESMOS	0 - 10	1:07	IPO
A-45	Kiandra CHRIST-BONNELL	2	3	Violette LOUET	0 - 10	0:36	WIP
A-46	Avery GIBNEY	1	4	Aida Miko SHIMA	0 - 10	2:21	IPO
A-49	Violette LOUET	3	5	Isla DIESMOS	5 - 0	4:00	WAZ
A-50	Kiandra CHRIST-BONNELL	2	4	Aida Miko SHIMA	0 - 5	4:00	WAZ
A-53	Avery GIBNEY	1	3	Violette LOUET	0 - 10	2:21	WIP
A-55	Kiandra CHRIST-BONNELL	2	5	Isla DIESMOS	0 - 10	1:02	IPO

## Results

Pos	Name
1	Violette LOUET, Judo Monde
2	Isla DIESMOS, Hiro's
3	Aida Miko SHIMA, Kodokwai
4	Avery GIBNEY, Moose Jaw

# SenF Adv -57kg

## Competitors

#	Name	Grade	Club	1	2	3	4	5	Wins	Pts	Pos
1	Mirja HAFNER	Brown	Abbotsford	XX	10	10			2	20	3
2	Kolbi FENRICK	Brown	Moose Jaw		XX	10			1	10	4
3	Amaya MACHADO	Brown	Nakamura			XX			0	0	5
4	Kondelia KARAS	Shodan	Kodokwai	10	10	10	XX		3	30	2
5	Aliya KOLIASKA	Shodan	Lethbridge	10	10	10	5	XX	4	35	1

## Matches

Match	White			Blue	Result	Time	Code
C-32	Kondelia KARAS	4	5	Aliya KOLIASKA	0 - 5	6:12	GSW
C-33	Mirja HAFNER	1	2	Kolbi FENRICK	10 - 0	3:47	IPO
C-40	Amaya MACHADO	3	4	Kondelia KARAS	0 - 10	0:53	IPO
C-41	Mirja HAFNER	1	5	Aliya KOLIASKA	0 - 10	2:07	WIP
C-46	Kolbi FENRICK	2	3	Amaya MACHADO	10 - 0	4:00	WIP
C-47	Mirja HAFNER	1	4	Kondelia KARAS	0 - 10	1:06	IPO
C-52	Amaya MACHADO	3	5	Aliya KOLIASKA	0 - 10	0:53	WIP
C-53	Kolbi FENRICK	2	4	Kondelia KARAS	0 - 10	2:57	IPO
C-58	Mirja HAFNER	1	3	Amaya MACHADO	10 - 0	1:20	IPO
C-61	Kolbi FENRICK	2	5	Aliya KOLIASKA	0 - 10	2:03	IPO

## Results

Pos	Name
1	Aliya KOLIASKA, Lethbridge
2	Kondelia KARAS, Kodokwai
3	Mirja HAFNER, Abbotsford
4	Kolbi FENRICK, Moose Jaw

# SenF Adv -63kg

## Competitors

#	Name	Grade	Club	1	2	3	4	5	Wins	Pts	Pos
1	Brooklyn FRANSON	Brown	Saskatoon Y	XX		5	10	10	3	25	2
2	Sarah EKOSKY	Shodan	Selkirk	10	XX	10	10	10	4	40	1
3	Brecklyn VEALE	Brown	Lethbridge			XX	10		1	10	4
4	Stacy WYTINCK	Brown	Keisatsu				XX		0	0	5
5	Olivia KRYNSKI	Brown	Portage			5	10	XX	2	15	3

## Matches

Match	White			Blue	Result	Time	Code
C-30	Stacy WYTINCK	4	5	Olivia KRYNSKI	0 - 10	0:35	WIP
C-31	Brooklyn FRANSON	1	2	Sarah EKOSKY	0 - 10	2:19	IPO
C-38	Brecklyn VEALE	3	4	Stacy WYTINCK	10 - 0	0:25	IPO
C-39	Brooklyn FRANSON	1	5	Olivia KRYNSKI	10 - 0	1:18	IPO
C-44	Sarah EKOSKY	2	3	Brecklyn VEALE	10 - 0	1:52	IPO
C-45	Brooklyn FRANSON	1	4	Stacy WYTINCK	10 - 0	0:32	WIP
C-50	Brecklyn VEALE	3	5	Olivia KRYNSKI	0 - 5	4:00	WAZ
C-51	Sarah EKOSKY	2	4	Stacy WYTINCK	10 - 0	0:27	WIP
C-56	Brooklyn FRANSON	1	3	Brecklyn VEALE	5 - 0	4:00	WAZ
C-57	Sarah EKOSKY	2	5	Olivia KRYNSKI	10 - 0	0:00	IPO

## Results

Pos	Name
1	Sarah EKOSKY, Selkirk
2	Brooklyn FRANSON, Saskatoon Y
3	Olivia KRYNSKI, Portage
4	Brecklyn VEALE, Lethbridge

# SenF Adv -70kg

## Competitors

#	Name	Grade	Club	1	2	3	4	Wins	Pts	Pos
1	Elizabeth COSSITT	Brown	Kodokwai	XX				0	0	4
2	Deziree FRANSON	Brown	Saskatoon Y	5	XX			1	5	3
3	Rebecca VILLA	Brown	Nakamura	5	10	XX		2	15	2
4	Nova ROTBART	Brown	Abbotsford	10	10	10	XX	3	30	1

## Matches

Match	White			Blue	Result	Time	Code
B-44	Elizabeth COSSITT	1	2	Deziree FRANSON	0 - 5	4:00	WAZ
B-43	Rebecca VILLA	3	4	Nova ROTBART	0 - 10	2:54	IPO
B-48	Elizabeth COSSITT	1	3	Rebecca VILLA	0 - 5	4:00	WAZ
B-49	Deziree FRANSON	2	4	Nova ROTBART	0 - 10	0:30	IPO
B-53	Elizabeth COSSITT	1	4	Nova ROTBART	0 - 10	0:25	IPO
B-54	Deziree FRANSON	2	3	Rebecca VILLA	0 - 10	2:52	HAN

## Results

Pos	Name
1	Nova ROTBART, Abbotsford
2	Rebecca VILLA, Nakamura
3	Deziree FRANSON, Saskatoon Y

# SenF Nov -63kg

## Competitors

#	Name	Grade	Club	1	2	3	Wins	Pts	Pos
1	Kaitlin KUCHARSKI	Blue	Keisatsu	XX			0	0	3
2	Sophia SHEVCHENKO	Blue	Champion	10	XX	10	2	20	1
3	Leah MCLEAN	Green	Shiroumakai	10		XX	1	10	2

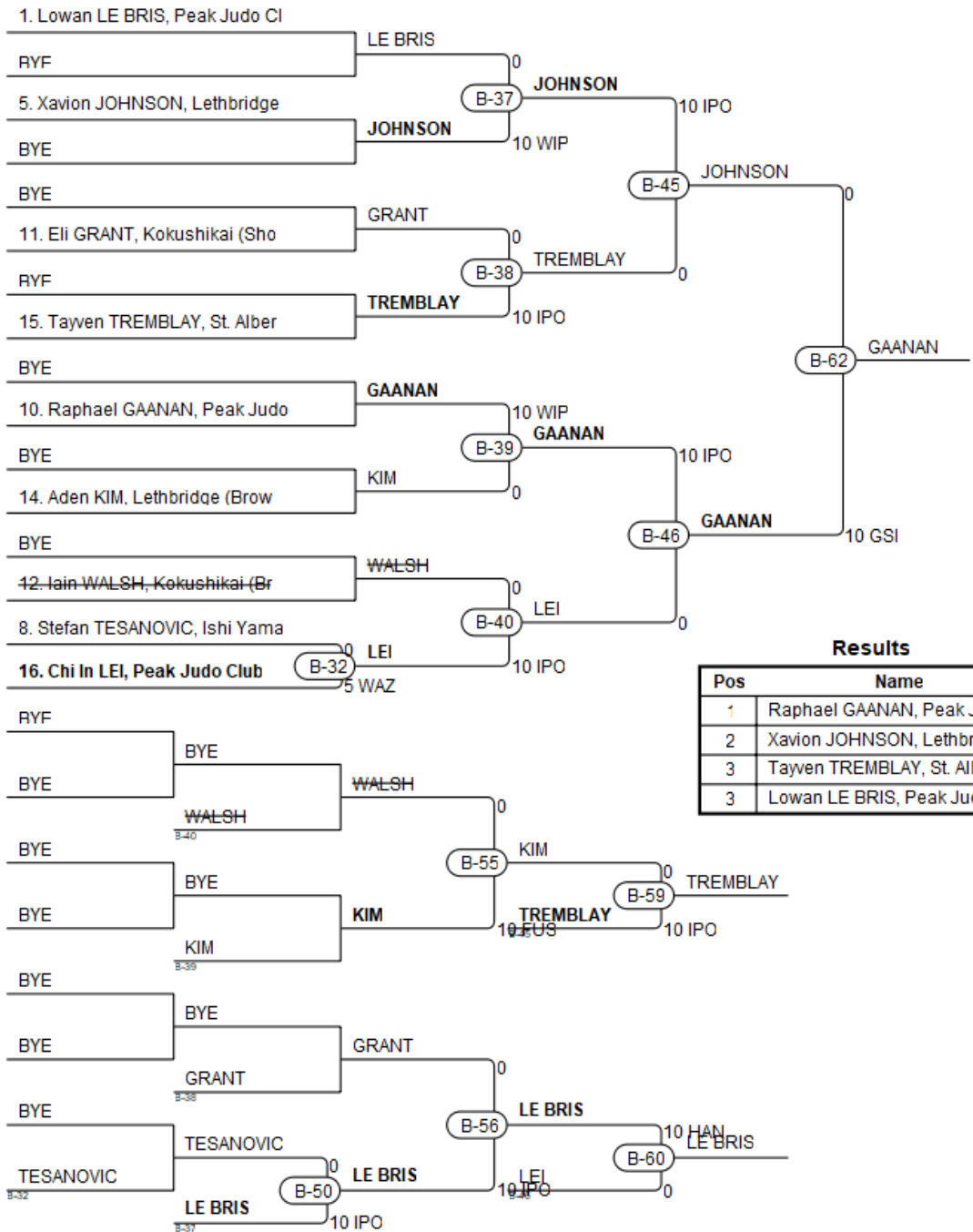
## Matches

Match	White			Blue	Result	Time	Code
B-9	Kaitlin KUCHARSKI	1	2	Sophia SHEVCHENKO	0 - 10	0:38	IPO
B-19	Kaitlin KUCHARSKI	1	3	Leah MCLEAN	0 - 10	3:37	IPO
B-29	Sophia SHEVCHENKO	2	3	Leah MCLEAN	10 - 0	0:24	IPO

## Results

Pos	Name
1	Sophia SHEVCHENKO, Champion
2	Leah MCLEAN, Shiroumakai

# SenM Adv -60kg



# SenM Adv -66kg

## Competitors A

#	Name	Grade	Club	1	2	3	Wins	Pts	Pos
1	Troy GALLANT	Shodan	Lethbridge	XX	10	10	2	20	1
2	Ashton DEBRUYNE	Brown	Regina Y		XX		0	0	3
3	Cole PRIESTMAN	Brown	Peak Judo Club		10	XX	1	10	2

## Matches A

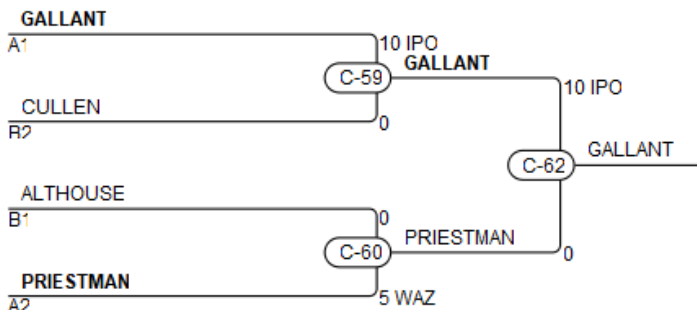
Match	White		Blue	Result	Time	Code	
C-42	Troy GALLANT	1	2	Ashton DEBRUYNE	10 - 0	1:28	WIP
C-48	Troy GALLANT	1	3	Cole PRIESTMAN	10 - 0	2:19	IPO
C-54	Ashton DEBRUYNE	2	3	Cole PRIESTMAN	0 - 10	3:18	WIP

## Competitors B

#	Name	Grade	Club	4	5	6	Wins	Pts	Pos
4	Sawyer ALTHOUSE	Brown	Lethbridge	XX	10	10	2	20	1
5	Finn CULLEN	Brown	Kokushikai		XX	10	1	10	2
6	Riley SOUTHBY	Shodan	Keisatsu			XX	0	0	3

## Matches B

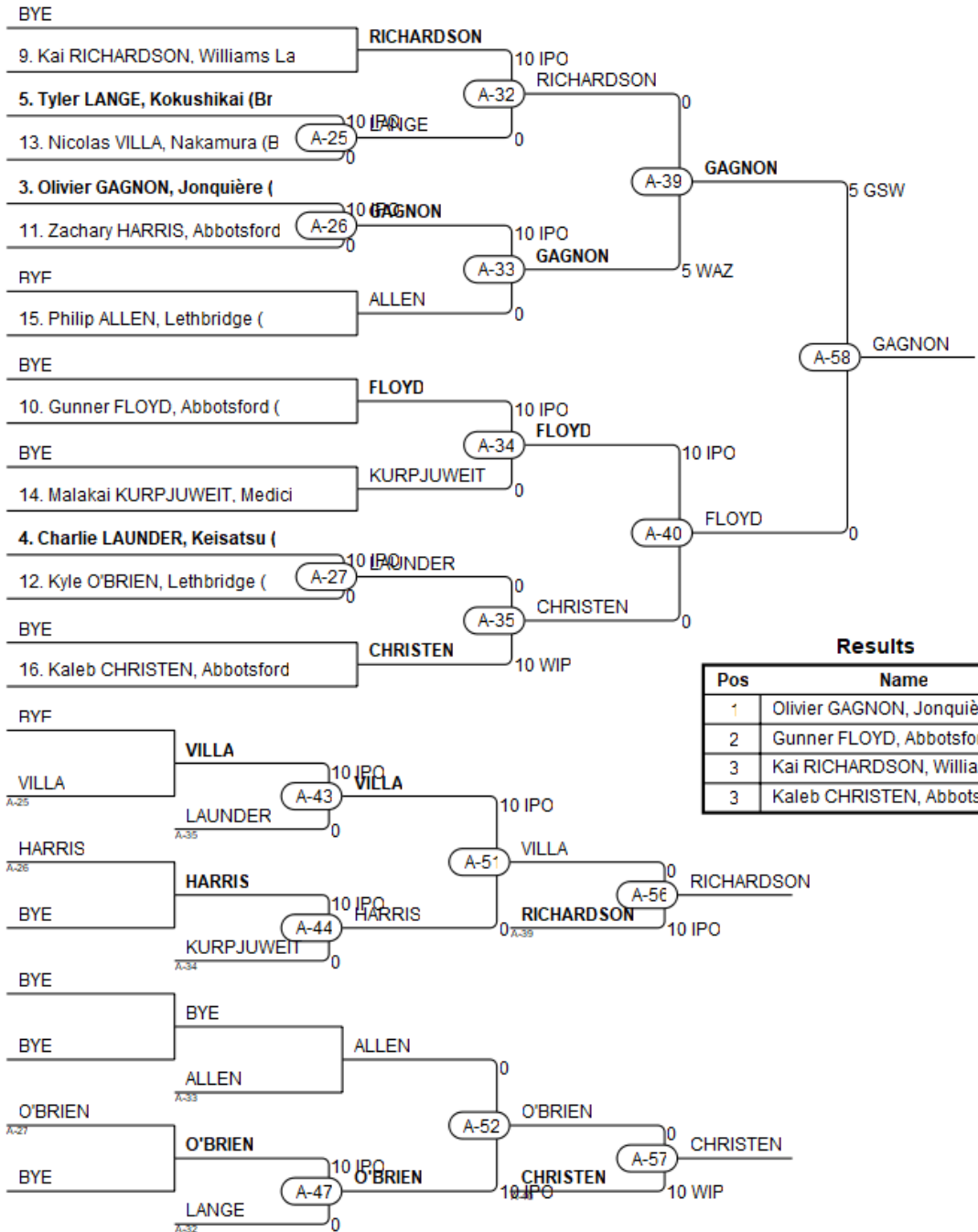
Match	White		Blue	Result	Time	Code	
C-43	Sawyer ALTHOUSE	4	5	Finn CULLEN	10 - 0	2:29	WIP
C-49	Sawyer ALTHOUSE	4	6	Riley SOUTHBY	10 - 0	1:20	IPO
C-55	Finn CULLEN	5	6	Riley SOUTHBY	10 - 0	2:10	DHM



## Results

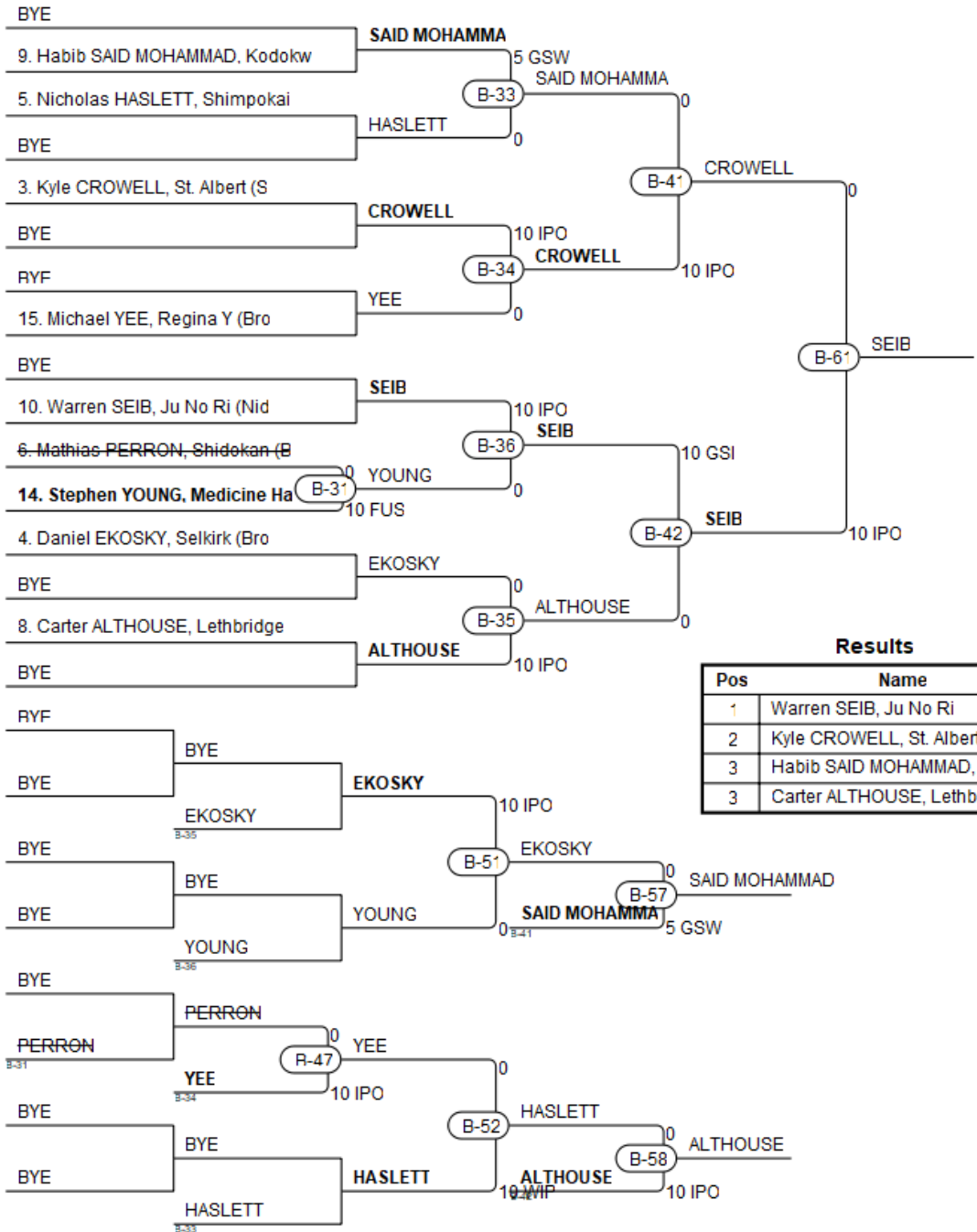
Pos	Name
1	Troy GALLANT, Lethbridge
2	Cole PRIESTMAN, Peak Judo Club
3	Finn CULLEN, Kokushikai
3	Sawyer ALTHOUSE, Lethbridge

# SenM Adv -73kg





# SenM Adv -81kg



## Results

Pos	Name
1	Warren SEIB, Ju No Ri
2	Kyle CROWELL, St. Albert
3	Habib SAID MOHAMMAD, Kodok
3	Carter ALTHOUSE, Lethbridg

# SenM Adv +100kg

## Competitors

#	Name	Grade	Club	1	2	3	Wins	Pts	Pos
1	Brent THOMPSON	Sandan	Nakamura	XX	10		1	10	2
2	Mark KERR	Brown	Medicine Hat		XX		0	0	3
3	Josiah HALLETT	Brown	Regina Y	10	10	XX	2	20	1

## Matches

Match	White			Blue	Result	Time	Code
A-38	Brent THOMPSON	1	2	Mark KERR	10 - 0	0:23	IPO
A-48	Brent THOMPSON	1	3	Josiah HALLETT	0 - 10	1:23	WIP
A-54	Mark KERR	2	3	Josiah HALLETT	0 - 10	4:57	YUS

## Results

Pos	Name
1	Josiah HALLETT, Regina Y
2	Brent THOMPSON, Nakamura

# SenM Adv +100kg-Tie

## Competitors

#	Name	Grade	Club	1	2	3	Wins	Pts	Pos
1	Josiah HALLETT	Brown	Regina Y	XX	10	10	2	20	1
2	Brent THOMPSON	Sandan	Nakamura		XX	10	1	10	2
3	Mark KERR	Brown	Medicine Hat			XX	0	0	3

## Matches

Match	White			Blue	Result	Time	Code
A-59	Josiah HALLETT	1	2	Brent THOMPSON	10 - 0	5:19	HAN
A-60	Josiah HALLETT	1	3	Mark KERR	10 - 0	0:00	IPO
A-61	Brent THOMPSON	2	3	Mark KERR	10 - 0	0:00	KIK

## Results

Pos	Name
1	Josiah HALLETT, Regina Y
2	Brent THOMPSON, Nakamura

# SenM Nov -100kg

## Competitors

#	Name	Grade	Club	1	2	3	Wins	Pts	Pos
1	Owen DUFFY	Green	Medicine Hat	XX	10	10	2	20	1
2	Eric PAXMAN	Orange	Lethbridge		XX	10	1	10	2
3	Jeff EGGEN	Green	Regina Y			XX	0	0	3

## Matches

Match	White			Blue	Result	Time	Code
C-4	Owen DUFFY	1	2	Eric PAXMAN	10 - 0	1:17	WIP
C-18	Owen DUFFY	1	3	Jeff EGGEN	10 - 0	0:09	IPO
C-25	Eric PAXMAN	2	3	Jeff EGGEN	10 - 0	0:44	IPO

## Results

Pos	Name
1	Owen DUFFY, Medicine Hat
2	Eric PAXMAN, Lethbridge

# SenM Nov -60kg

## Competitors

#	Name	Grade	Club	1	2	3	4	5	Wins	Pts	Pos
1	Jacob Xavier REYNANTE	Blue	Nakamura	XX		10			1	10	4
2	Liam GISHLER	Green	Shiroumakai	10	XX	10	10	10	4	40	1
3	Lawrence YAMAMOTO	Orange	Medicine Hat			XX			0	0	5
4	Soren ANDREASSEN	Blue	Abbotsford	10		10	XX	10	3	30	2
5	Sawyer MILEY	Blue	Abbstford	10		10		XX	2	20	3

## Matches

Match	White			Blue	Result	Time	Code
A-2	Soren ANDREASSEN	4	5	Sawyer MILEY	10 - 0	1:23	IPO
A-3	Jacob Xavier REYNANTE	1	2	Liam GISHLER	0 - 10	4:00	IPO
A-7	Lawrence YAMAMOTO	3	4	Soren ANDREASSEN	0 - 10	3:29	WIP
A-8	Jacob Xavier REYNANTE	1	5	Sawyer MILEY	0 - 10	0:26	IPO
A-12	Liam GISHLER	2	3	Lawrence YAMAMOTO	10 - 0	1:25	WIP
A-13	Jacob Xavier REYNANTE	1	4	Soren ANDREASSEN	0 - 10	1:19	IPO
A-17	Lawrence YAMAMOTO	3	5	Sawyer MILEY	0 - 10	1:49	IPO
A-18	Liam GISHLER	2	4	Soren ANDREASSEN	10 - 0	2:24	IPO
A-22	Jacob Xavier REYNANTE	1	3	Lawrence YAMAMOTO	10 - 0	0:48	IPO
A-23	Liam GISHLER	2	5	Sawyer MILEY	10 - 0	1:30	IPO

## Results

Pos	Name
1	Liam GISHLER, Shiroumakai
2	Soren ANDREASSEN, Abbotsford
3	Sawyer MILEY, Abbstford
4	Jacob Xavier REYNANTE, Nakamura

# SenM Nov -66kg

## Competitors

#	Name	Grade	Club	1	2	3	4	Wins	Pts	Pos
1	Billy-Joe BALDONADO	Green	Ishi Yama	XX	10	10	10	3	30	1
2	Shamus RILEY	Blue	Kodokwai		XX	10	10	2	20	2
3	Aj LONTAYAO	Blue	Campbell River			XX		0	0	4
4	Aiden SMITH	Blue	Avonhurst			10	XX	1	10	3

## Matches

Match	White			Blue	Result	Time	Code
B-3	Billy-Joe BALDONADO	1	2	Shamus RILEY	10 - 0	0:38	IPO
B-4	Aj LONTAYAO	3	4	Aiden SMITH	0 - 10	0:21	IPO
B-11	Billy-Joe BALDONADO	1	3	Aj LONTAYAO	10 - 0	0:16	IPO
B-12	Shamus RILEY	2	4	Aiden SMITH	10 - 0	1:57	IPO
B-21	Billy-Joe BALDONADO	1	4	Aiden SMITH	10 - 0	0:07	IPO
B-22	Shamus RILEY	2	3	Aj LONTAYAO	10 - 0	1:51	IPO

## Results

Pos	Name
1	Billy-Joe BALDONADO, Ishi Yama
2	Shamus RILEY, Kodokwai
3	Aiden SMITH, Avonhurst

# SenM Nov -81kg

## Competitors

#	Name	Grade	Club	1	2	3	4	Wins	Pts	Pos
1	Eoin IVORY	Green	Airdrie	XX				0	0	4
2	Jason NEAL	Green	Tokugawa	10	XX			1	10	3
3	Tony SHOWCHUK	Green	Regina Y	10	10	XX		2	20	2
4	Dave JOOKHUU	Green	Ishi Yama	10	10	10	XX	3	30	1

## Matches

Match	White			Blue	Result	Time	Code
A-9	Eoin IVORY	1	2	Jason NEAL	0 - 10	0:16	IPO
A-10	Tony SHOWCHUK	3	4	Dave JOOKHUU	0 - 10	1:17	IPO
A-16	Eoin IVORY	1	3	Tony SHOWCHUK	0 - 10	1:09	IPO
A-19	Jason NEAL	2	4	Dave JOOKHUU	0 - 10	1:10	IPO
A-29	Eoin IVORY	1	4	Dave JOOKHUU	0 - 10	0:53	WIP
A-30	Jason NEAL	2	3	Tony SHOWCHUK	0 - 10	0:17	IPO

## Results

Pos	Name
1	Dave JOOKHUU, Ishi Yama
2	Tony SHOWCHUK, Regina Y
3	Jason NEAL, Tokugawa

# U16F -44kg

## Competitors

#	Name	Grade	Club	1	2	1	2	1	2	Wins	Pts	Pos
1	Christina KARAS	Blue	Kodokwai	XX	10	XX	10	XX		2	20	1
2	Chloe STUBER	Green	Medicine Hat		XX		XX		XX	0	0	2

## Matches

Match	White			Blue	Result	Time	Code
C-5	Christina KARAS	1	2	Chloe STUBER	10 - 0	1:31	WIP
C-19	Chloe STUBER	2	1	Christina KARAS	0 - 10	1:45	IPO
C-26	Christina KARAS	1	2	Chloe STUBER			

## Results

Pos	Name
1	Christina KARAS, Kodokwai



# U16F -48kg

## Competitors

#	Name	Grade	Club	1	2	3	Wins	Pts	Pos
1	Kaya LEVEILLE	Blue	Selkirk	XX			0	0	3
2	Beth PENNER	Blue	Selkirk	10	XX		1	10	2
3	Addyson TAMURA	Brown	Lethbridge	10	10	XX	2	20	1

## Matches

Match	White			Blue	Result	Time	Code
C-12	Kaya LEVEILLE	1	2	Beth PENNER	0 - 10	0:56	IPO
C-20	Kaya LEVEILLE	1	3	Addyson TAMURA	0 - 10	0:09	IPO
C-27	Beth PENNER	2	3	Addyson TAMURA	0 - 10	0:21	IPO

## Results

Pos	Name
1	Addyson TAMURA, Lethbridge
2	Beth PENNER, Selkirk

# U16F -57kg

## Competitors

#	Name	Grade	Club	1	2	3	4	Wins	Pts	Pos
1	Sahara KAIP	Blue	Avonhurst	XX	10			1	10	3
2	Anna DORNSTAUDER	Green/Blue	Regina Y		XX			0	0	4
3	Lia HINCHEY	Blue	Shiroumakai	10	10	XX	10	3	30	1
4	Annaka DEEG	Green	Tokugawa	10	10		XX	2	20	2

## Matches

Match	White			Blue	Result	Time	Code
B-6	Sahara KAIP	1	2	Anna DORNSTAUDER	10 - 0	0:38	WIP
B-7	Lia HINCHEY	3	4	Annaka DEEG	10 - 0	3:00	HAN
B-16	Sahara KAIP	1	3	Lia HINCHEY	0 - 10	1:10	IPO
B-17	Anna DORNSTAUDER	2	4	Annaka DEEG	0 - 10	0:06	IPO
B-26	Sahara KAIP	1	4	Annaka DEEG	0 - 10	1:52	WIP
B-27	Anna DORNSTAUDER	2	3	Lia HINCHEY	0 - 10	0:07	IPO

## Results

Pos	Name
1	Lia HINCHEY, Shiroumakai
2	Annaka DEEG, Tokugawa
3	Sahara KAIP, Avonhurst

# U16F -63kg

## Competitors

#	Name	Grade	Club	1	2	1	2	1	2	Wins	Pts	Pos
1	Annika MICHALUK	Blue	Pacific Kodokan JoJo	XX		XX	5	XX		1	5	2
2	McKenna STEWART	Blue	Selkirk	10	XX		XX	10	XX	2	20	1

## Matches

Match	White			Blue	Result	Time	Code
A-14	Annika MICHALUK	1	2	McKenna STEWART	0 - 10	4:03	GSI
A-20	McKenna STEWART	2	1	Annika MICHALUK	0 - 5	3:00	WAZ
A-31	Annika MICHALUK	1	2	McKenna STEWART	0 - 10	2:05	WIP

## Results

Pos	Name
1	McKenna STEWART, Selkirk
2	Annika MICHALUK, Pacific Kodokan JoJo

# U16F -70kg

## Competitors

#	Name	Grade	Club	1	2	1	2	1	2	Wins	Pts	Pos
1	Emiliya ALIYEVA	Blue	Hiro's	XX	10	XX	10	XX		2	20	1
2	Azra BENIC	Green	South Corman		XX		XX		XX	0	0	2

## Matches

Match	White			Blue	Result	Time	Code
A-1	Emiliya ALIYEVA	1	2	Azra BENIC	10 - 0	0:13	IPO
A-6	Azra BENIC	2	1	Emiliya ALIYEVA	0 - 10	1:24	IPO
A-2'	Emiliya ALIYEVA	1	2	Azra BENIC			

## Results

Pos	Name
1	Emiliya ALIYEVA, Hiro's

# U16M -38kg

## Competitors

#	Name	Grade	Club	1	2	1	2	1	2	Wins	Pts	Pos
1	Huxley BRIGGS	Green	Shiroumakai	XX		XX	10	XX	10	2	20	1
2	Felix LEONARD	Green	Moose Jaw	10	XX		XX		XX	1	10	2

## Matches

Match	White			Blue	Result	Time	Code
A-4	Huxley BRIGGS	1	2	Felix LEONARD	0 - 10	0:56	IPO
A-11	Felix LEONARD	2	1	Huxley BRIGGS	0 - 10	0:26	IPO
A-24	Huxley BRIGGS	1	2	Felix LEONARD	10 - 0	3:00	WIP

## Results

Pos	Name
1	Huxley BRIGGS, Shiroumakai
2	Felix LEONARD, Moose Jaw

# U16M -46kg

## Competitors

#	Name	Grade	Club	1	2	3	Wins	Pts	Pos
1	Justin WEBBER	Brown	Hiro's	XX	10	10	2	20	1
2	Gherman CICATI	Green	Ishi Yama		XX		0	0	3
3	Paxton NELSON	Blue	Avonhurst		10	XX	1	10	2

## Matches

Match	White			Blue	Result	Time	Code
B-10	Justin WEBBER	1	2	Gherman CICATI	10 - 0	1:40	IPO
B-20	Justin WEBBER	1	3	Paxton NELSON	10 - 0	2:41	IPO
B-30	Gherman CICATI	2	3	Paxton NELSON	0 - 10	0:57	WIP

## Results

Pos	Name
1	Justin WEBBER, Hiro's
2	Paxton NELSON, Avonhurst

# U16M -50kg

## Competitors A

#	Name	Grade	Club	1	2	3	Wins	Pts	Pos
1	Kohen JOHNSON	Green	Tokugawa	XX			0	0	3
2	Amir TEMIRBAEV	Blue	Peak Judo Club	10	XX	10	2	20	1
3	Maxwell MULINGTAPANG	Brown	Lethbridge	5		XX	1	5	2

## Matches A

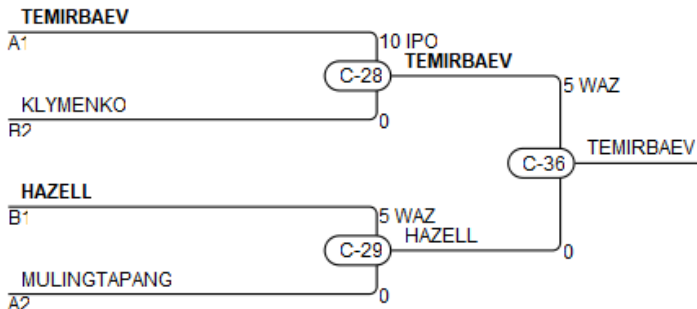
Match	White	Blue	Result	Time	Code
C-9	Kohen JOHNSON 1 2	Amir TEMIRBAEV	0 - 10	1:42	WIP
C-14	Kohen JOHNSON 1 3	Maxwell MULINGTAPANG	0 - 5	3:00	WAZ
C-21	Amir TEMIRBAEV 2 3	Maxwell MULINGTAPANG	10 - 0	4:45	GSI

## Competitors B

#	Name	Grade	Club	4	5	6	Wins	Pts	Pos
4	Connor HAZELL	Brown	Lethbridge	XX	10	10	2	20	1
5	Max KLYMENKO	Green	Police Jr.		XX	10	1	10	2
6	Seth GOULD	Blue	Lethbridge			XX	0	0	3

## Matches B

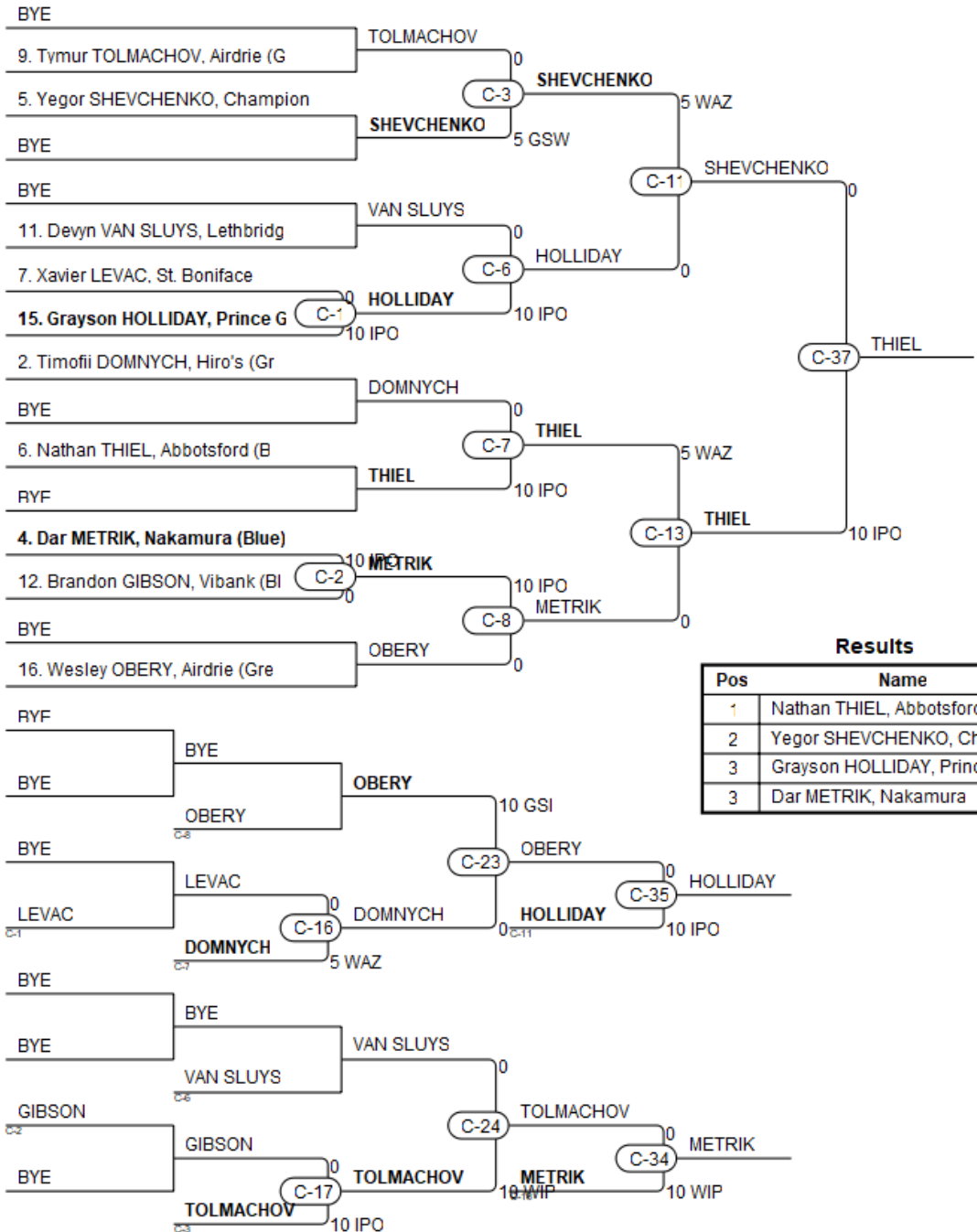
Match	White	Blue	Result	Time	Code
C-10	Connor HAZELL 4 5	Max KLYMENKO	10 - 0	0:32	IPO
C-15	Connor HAZELL 4 6	Seth GOULD	10 - 0	2:24	WIP
C-22	Max KLYMENKO 5 6	Seth GOULD	10 - 0	4:27	GSI



## Results

Pos	Name
1	Amir TEMIRBAEV, Peak Judo Club
2	Connor HAZELL, Lethbridge
3	Max KLYMENKO, Police Jr.
3	Maxwell MULINGTAPANG, Lethbridge

# U16M -55kg



## Results

Pos	Name
1	Nathan THIEL, Abbotsford
2	Yegor SHEVCHENKO, Champion
3	Grayson HOLLIDAY, Prince G
3	Dar METRIK, Nakamura



# U16M -60kg

## Competitors

#	Name	Grade	Club	1	2	1	2	1	2	Wins	Pts	Pos
1	Braydin NGUYEN	Blue	Inner City	XX		XX		XX		0	0	2
2	Connor GALLANT	Brown	Lethbridge	10	XX	10	XX		XX	2	20	1

## Matches

Match	White			Blue	Result	Time	Code
A-5	Braydin NGUYEN	1	2	Connor GALLANT	0 - 10	1:02	IPO
A-15	Connor GALLANT	2	1	Braydin NGUYEN	10 - 0	2:51	IPO
A-28	Braydin NGUYEN	1	2	Connor GALLANT			

## Results

Pos	Name
1	Connor GALLANT, Lethbridge

# U16M -66kg

## Competitors

#	Name	Grade	Club	1	2	3	Wins	Pts	Pos
1	Silas COUGHLAN	Brown	Hiro's	XX	10	10	2	20	1
2	John COLNEY	Blue	Kodokwai		XX		0	0	3
3	David BEVAN	Green	Portage		10	XX	1	10	2

## Matches

Match	White			Blue	Result	Time	Code
B-5	Silas COUGHLAN	1	2	John COLNEY	10 - 0	0:24	WIP
B-15	Silas COUGHLAN	1	3	David BEVAN	10 - 0	1:51	WIP
B-25	John COLNEY	2	3	David BEVAN	0 - 10	1:18	WIP

## Results

Pos	Name
1	Silas COUGHLAN, Hiro's
2	David BEVAN, Portage

# U16M -73kg

## Competitors

#	Name	Grade	Club	1	2	3	Wins	Pts	Pos
1	Rowen STERBA	Blue	Lethbridge	XX			0	0	3
2	Drake GREGORY	Blue	Lethbridge	10	XX	10	2	20	1
3	Jaxon HALE	Green	Nakamura	10		XX	1	10	2

## Matches

Match	White			Blue	Result	Time	Code
B-8	Rowen STERBA	1	2	Drake GREGORY	0 - 10	0:37	WIP
B-18	Rowen STERBA	1	3	Jaxon HALE	0 - 10	1:25	IPO
B-28	Drake GREGORY	2	3	Jaxon HALE	10 - 0	1:33	IPO

## Results

Pos	Name
1	Drake GREGORY, Lethbridge
2	Jaxon HALE, Nakamura

# U16M +73kg

## Competitors

#	Name	Grade	Club	1	2	3	4	Wins	Pts	Pos
1	Ridley SUBERLAK	Green	Battleford	XX				0	0	4
2	Preston LUCAS	Green	Avonhurst	10	XX			1	10	3
3	Cai JAMES	Green	Balmoral	10	10	XX		2	20	2
4	Munkhu BATBAYAR	Brown	Lethbridge	10	10	10	XX	3	30	1

## Matches

Match	White			Blue	Result	Time	Code
B-1	Ridley SUBERLAK	1	2	Preston LUCAS	0 - 10	1:42	IPO
B-2	Cai JAMES	3	4	Munkhu BATBAYAR	0 - 10	3:13	GSI
B-13	Ridley SUBERLAK	1	3	Cai JAMES	0 - 10	0:39	IPO
B-14	Preston LUCAS	2	4	Munkhu BATBAYAR	0 - 10	0:08	HAN
B-23	Ridley SUBERLAK	1	4	Munkhu BATBAYAR	0 - 10	0:41	WIP
B-24	Preston LUCAS	2	3	Cai JAMES	0 - 10	0:32	IPO

## Results

Pos	Name
1	Munkhu BATBAYAR, Lethbridge
2	Cai JAMES, Balmoral
3	Preston LUCAS, Avonhurst

# U16M +73kg-Tie

## Competitors

#	Name	Grade	Club	1	2	3	Wins	Pts	Pos
1	Preston LUCAS	Green	Avonhurst	XX			0	0	3
2	Cai JAMES	Green	Balmoral	5	XX		1	5	2
3	Munkhu BATBAYAR	Brown	Lethbridge	10	5	XX	2	15	1

## Matches

Match	White			Blue	Result	Time	Code
B-47A	Preston LUCAS	1	2	Cai JAMES	0 - 5	1:49	GSW
B-52A	Preston LUCAS	1	3	Munkhu BATBAYAR	0 - 10	0:42	GSI
B-56A	Cai JAMES	2	3	Munkhu BATBAYAR	0 - 5	2:08	GSW

## Results

Pos	Name
1	Munkhu BATBAYAR, Lethbridge
2	Cai JAMES, Balmoral