

U14 Female -57kg

Competitors

#	Name	Grade	Club	1	2	3	4	Wins	Pts	Pos
1	Abbie IP	Orange	BP Judo club	XX	10			1	10	4
2	Mckenzie ROBERTS	Orange	BP Judo club		XX	10		1	10	2
3	Avery-Mae Dawn CAMPBELL	Orange	Portage Judo Club	10		XX		1	10	3
4	Eva EVERETT	Orange	Selkirk Judo Club	10	10	10	XX	3	30	1

Matches

Match	White			Blue	Result	Time	Code
A-25	Abbie IP	1	2	Mckenzie ROBERTS	10 - 0	2:23	IPO
A-26	Avery-Mae Dawn CAMPBELL	3	4	Eva EVERETT	0 - 10	1:38	WIP
A-45	Abbie IP	1	3	Avery-Mae Dawn CAMPBELL	0 - 10	1:01	WIP
A-46	Mckenzie ROBERTS	2	4	Eva EVERETT	0 - 10	1:48	IPO
A-68	Abbie IP	1	4	Eva EVERETT	0 - 10	0:41	IPO
A-69	Mckenzie ROBERTS	2	3	Avery-Mae Dawn CAMPBELL	10 - 0	0:06	IPO

Results

Pos	Name
1	Eva EVERETT, Selkirk Judo Club
2	Mckenzie ROBERTS, BP Judo club
2	Avery-Mae Dawn CAMPBELL, Portage Judo Club
2	Abbie IP, BP Judo club

U14 Female -57kg (TB)

Competitors

#	Name	Grade	Club	1	2	3	Wins	Pts	Pos
1	Mckenzie ROBERTS	Orange	BP Judo club	XX			0	0	3
2	Abbie IP	Orange	BP Judo club	10	XX		1	10	2
3	Avery-Mae Dawn CAMPBELL	Orange	Portage Judo Club	10	5	XX	2	15	1

Matches

Match	White			Blue	Result	Time	Code
A-77A	Mckenzie ROBERTS	1	2	Abbie IP	0 - 10	0:26	GSI
A-80A	Mckenzie ROBERTS	1	3	Avery-Mae Dawn CAMPBELL	0 - 10	0:28	GSI
A-84A	Abbie IP	2	3	Avery-Mae Dawn CAMPBELL	0 - 5	0:27	GSW

Results

Pos	Name
1	Avery-Mae Dawn CAMPBELL, Portage Judo Club
2	Abbie IP, BP Judo club

U14 Female +63kg

Competitors

#	Name	Grade	Club	1	2	1	2	1	2	Wins	Pts	Pos
1	Oryx DION	Green	Medicine Hat Judo Club	XX		XX	5	XX		1	5	2
2	Ruby BUECKERT	Green	Nakamura Judo Club	5	XX		XX	5	XX	2	10	1

Matches

Match	White			Blue	Result	Time	Code
B-23	Oryx DION	1	2	Ruby BUECKERT	0 - 5	3:00	WAZ
B-40	Ruby BUECKERT	2	1	Oryx DION	0 - 5	3:00	WAZ
B-67	Oryx DION	1	2	Ruby BUECKERT	0 - 5	3:00	WAZ

Results

Pos	Name
1	Ruby BUECKERT, Nakamura Judo Club
2	Oryx DION, Medicine Hat Judo Club

U14 Male -32kg

Competitors

#	Name	Grade	Club	1	2	1	2	1	2	Wins	Pts	Pos
1	Ewan Williams	Orange	BP Judo Club	XX		XX		XX		0	0	2
2	Nazar KUCHER	Orange	Nakamura Judo Club	10	XX	10	XX		XX	2	20	1

Matches

Match	White			Blue	Result	Time	Code
A-30	Ewan Williams	1	2	Nazar KUCHER	0 - 10	1:01	WIP
A-52	Nazar KUCHER	2	1	Ewan Williams	10 - 0	0:31	IPO
A-73	Ewan Williams	1	2	Nazar KUCHER			

Results

Pos	Name
1	Nazar KUCHER, Nakamura Judo Club

U14 Male -42kg

Competitors A

#	Name	Grade	Club	1	2	3	4	Wins	Pts	Pos
1	Avery WAKEHAM	Orange	Balmoral Judo Club	XX			5	1	5	3
2	Bartosz LOSINSKI	Orange	Lloydminster Judo Club	10	XX		10	2	20	2
3	Alexey MEJERY	Orange/Green	Taifu Judo Club	10	10	XX	10	3	30	1
4	Samson Nathaniel REYNANTE	Green	Nakamura Judo Club				XX	0	0	4

Matches A

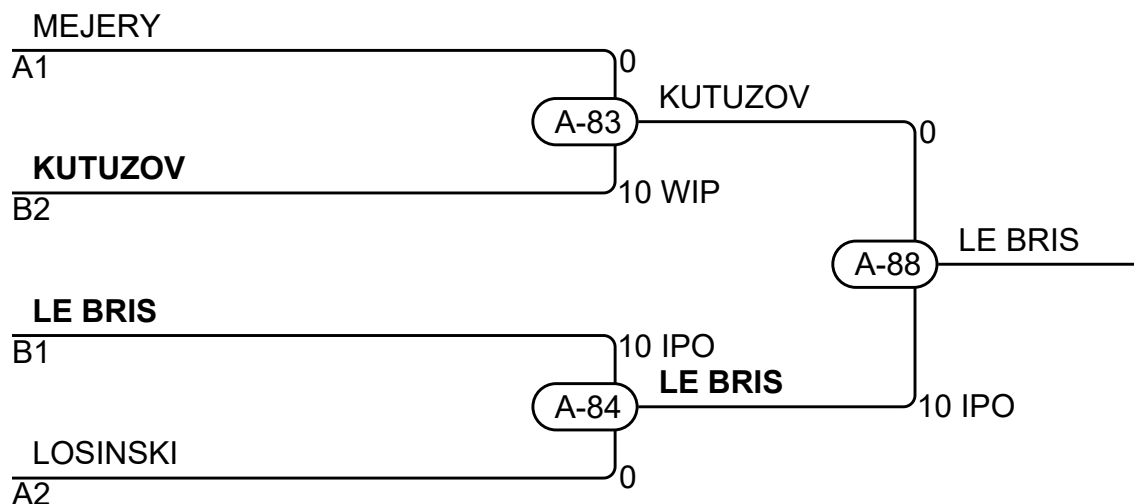
Match	White	Blue	Result	Time	Code
A-31	Avery WAKEHAM 1 2	Bartosz LOSINSKI	0 - 10	0:50	IPO
A-32	Alexey MEJERY 3 4	Samson Nathaniel REYNANTE	10 - 0	0:07	IPO
A-54	Avery WAKEHAM 1 3	Alexey MEJERY	0 - 10	0:21	IPO
A-55	Bartosz LOSINSKI 2 4	Samson Nathaniel REYNANTE	10 - 0	1:16	WIP
A-74	Avery WAKEHAM 1 4	Samson Nathaniel REYNANTE	5 - 0	3:00	WAZ
A-75	Bartosz LOSINSKI 2 3	Alexey MEJERY	0 - 10	0:27	IPO

Competitors B

#	Name	Grade	Club	5	6	7	Wins	Pts	Pos
5	Fedor KUTUZOV	Green	Nakamura Judo Club	XX		10	1	10	2
6	Ewen LE BRIS	Blue	Peak Judo Club	10	XX	10	2	20	1
7	Rowan MORAN	Orange	MOUNTAINSIDE JUDO CLUB			XX	0	0	3

Matches B

Match	White	Blue	Result	Time	Code
A-33	Fedor KUTUZOV 5 6	Ewen LE BRIS	0 - 10	1:26	IPO
A-56	Fedor KUTUZOV 5 7	Rowan MORAN	10 - 0	1:37	IPO
A-76	Ewen LE BRIS 6 7	Rowan MORAN	10 - 0	1:12	IPO



Results

Pos	Name
1	Ewen LE BRIS, Peak Judo Club
2	Fedor KUTUZOV, Nakamura Judo Club
3	Alexey MEJERY, Taifu Judo Club
3	Bartosz LOSINSKI, Lloydminster Judo Club

U14 Male -60kg

Competitors

#	Name	Grade	Club	1	2	1	2	1	2	Wins	Pts	Pos
1	Noah GIFT	Green	MOUNTAINSIDE JUDO CLUB	XX		XX		XX		0	0	2
2	Ty STADNYK	Green	Nakamura Judo Club	10	XX	10	XX		XX	2	20	1

Matches

Match	White			Blue	Result	Time	Code
A-66	Noah GIFT	1	2	Ty STADNYK	0 - 10	0:34	IPO
A-71	Ty STADNYK	2	1	Noah GIFT	10 - 0	2:03	IPO
A-80	Noah GIFT	1	2	Ty STADNYK			

Results

Pos	Name
1	Ty STADNYK, Nakamura Judo Club

U16 Female -44kg

Competitors

#	Name	Grade	Club	1	2	3	Wins	Pts	Pos
1	Anna LI	Green/Blu	University Of Regina Jud	XX	10		1	10	2
2	Ottawa HOGAN	Blue	Selkirk Judo Club		XX		0	0	3
3	Claire DIOME	Green/Blu	C355 Tritton Judo	10	10	XX	2	20	1

Matches

Match	White			Blue	Result	Time	Code
A-17	Anna LI	1	2	Ottawa HOGAN	10 - 0	2:31	IPO
A-34	Anna LI	1	3	Claire DIOME	0 - 10	0:44	IPO
A-60	Ottawa HOGAN	2	3	Claire DIOME	0 - 10	0:19	IPO

Results

Pos	Name
1	Claire DIOME, C355 Tritton Judo
2	Anna LI, University Of Regina Judo

U16 Female -48kg

Competitors

#	Name	Grade	Club	1	2	3	Wins	Pts	Pos
1	Christina KARAS	Blue	Kodokwai Judo Club	XX	10	10	2	20	1
2	Scarlett ABOUGHOUSHE	Green	Kodokwai Judo Club		XX	10	1	10	2
3	Lily GILLIES	Green	MOUNTAINSIDE JUDO CLUB			XX	0	0	3

Matches

Match	White			Blue	Result	Time	Code
B-25	Christina KARAS	1	2	Scarlett ABOUGHOUSHE	10 - 0	1:36	IPO
B-45	Christina KARAS	1	3	Lily GILLIES	10 - 0	0:09	IPO
B-69	Scarlett ABOUGHOUSHE	2	3	Lily GILLIES	10 - 0	3:45	GSW

Results

Pos	Name
1	Christina KARAS, Kodokwai Judo Club
2	Scarlett ABOUGHOUSHE, Kodokwai Judo Club

U16 Female -57kg

Competitors

#	Name	Grade	Club	1	2	3	Wins	Pts	Pos
1	Niamh O'GORMAN	Blue	Nakamura Judo Club	XX	10		1	10	2
2	Anna DORNSTAUDER	Green/Blu	University Of Regina Jud		XX		0	0	3
3	Emma TRITTON	Blue	C355 Tritton Judo	10	10	XX	2	20	1

Matches

Match	White			Blue	Result	Time	Code
A-47	Niamh O'GORMAN	1	2	Anna DORNSTAUDER	10 - 0	0:41	IPO
A-51A	Niamh O'GORMAN	1	3	Emma TRITTON	0 - 10	1:23	WIP
A-56A	Anna DORNSTAUDER	2	3	Emma TRITTON	0 - 10	0:15	IPO

Results

Pos	Name
1	Emma TRITTON, C355 Tritton Judo
2	Niamh O'GORMAN, Nakamura Judo Club

U16 Female -70kg

Competitors

#	Name	Grade	Club	1	2	1	2	1	2	Wins	Pts	Pos
1	Azra BENIC	Green	Saskatoon Ymca Judo Club	XX	10	XX	10	XX		2	20	1
2	Oryx DION	Green	Medicine Hat Judo Club		XX		XX		XX	0	0	2

Matches

Match	White			Blue	Result	Time	Code
C-34A	Azra BENIC	1	2	Oryx DION	10 - 0	1:12	WIP
C-49	Oryx DION	2	1	Azra BENIC	0 - 10	0:38	IPO
C-63	Azra BENIC	1	2	Oryx DION			

Results

Pos	Name
1	Azra BENIC, Saskatoon Ymca Judo Club

U16 Female +70kg

Competitors

#	Name	Grade	Club	1	Wins	Pts	Pos
1	Emmleen NYGARD	Green	MOUNTAINSIDE JUDO CLUB	UX	0	0	1

Matches

Match	White	Blue	Result	Time	Code
-------	-------	------	--------	------	------

Results

Pos	Name

U16 Male -42kg

Competitors A

#	Name	Grade	Club	1	2	3	4	Wins	Pts	Pos
1	Huxley BRIGGS	Blue	Shiroumakai	XX			10	1	10	3
2	Ewen LE BRIS	Blue	Peak Judo Club	5	XX	10	10	3	25	1
3	Kieran LEMOINE	Green	MOUNTAINSIDE JUDO CLUB			XX	10	2	20	2
4	Blake REMPEL	Green	Swift Current				XX	0	0	4

Matches A

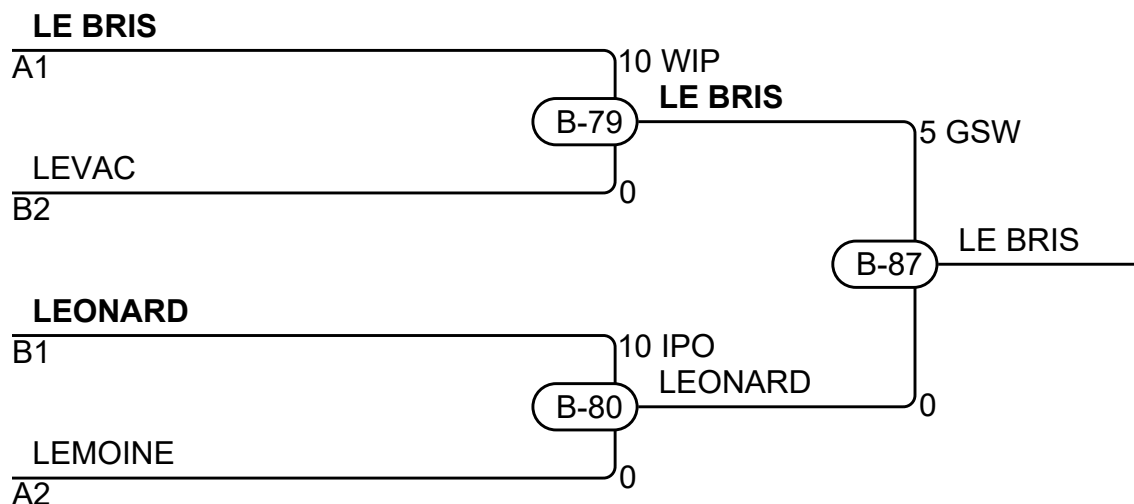
Match	White	Blue	Result	Time	Code
B-20	Huxley BRIGGS 1 2	Ewen LE BRIS	0 - 5	3:00	WAZ
B-21	Kieran LEMOINE 3 4	Blake REMPEL	10 - 0	0:17	IPO
B-37	Huxley BRIGGS 1 3	Kieran LEMOINE	0 - 10	1:57	IPO
B-38	Ewen LE BRIS 2 4	Blake REMPEL	10 - 0	0:20	WIP
B-64	Huxley BRIGGS 1 4	Blake REMPEL	10 - 0	0:42	IPO
B-65	Ewen LE BRIS 2 3	Kieran LEMOINE	10 - 0	2:23	IPO

Competitors B

#	Name	Grade	Club	5	6	7	Wins	Pts	Pos
5	Felix LEONARD	Green	Moose Jaw Koseikan Judo	XX	5	10	2	15	1
6	Elijah LEVAC	Green	St. Boniface Judo Club		XX	10	1	10	2
7	Bartosz LOSINSKI	Orange	Lloydminster Judo Club			XX	0	0	3

Matches B

Match	White	Blue	Result	Time	Code
B-22	Felix LEONARD 5 6	Elijah LEVAC	5 - 0	3:00	WAZ
B-39	Felix LEONARD 5 7	Bartosz LOSINSKI	10 - 0	0:09	IPO
B-66	Elijah LEVAC 6 7	Bartosz LOSINSKI	10 - 0	0:24	IPO



Results

Pos	Name
1	Ewen LE BRIS, Peak Judo Club
2	Felix LEONARD, Moose Jaw Koseikan Judo Club
3	Elijah LEVAC, St. Boniface Judo Club
3	Kieran LEMOINE, MOUNTAINSIDE JUDO CLUB

U16 Male -46kg

Competitors

#	Name	Grade	Club	1	2	3	Wins	Pts	Pos
1	Benjamin Noah REYNANTE	Blue	Nakamura Judo Club	XX		10	1	10	2
2	Maxim KOFMAN	Green/Blu	Challenge Sports Club	10	XX	10	2	20	1
3	Sebastian PARKER	Green	Barracuda Judo Club			XX	0	0	3

Matches

Match	White			Blue	Result	Time	Code
B-29	Benjamin Noah REYNANTE	1	2	Maxim KOFMAN	0 - 10	1:49	IPO
B-49	Benjamin Noah REYNANTE	1	3	Sebastian PARKER	10 - 0	0:48	WIP
B-73	Maxim KOFMAN	2	3	Sebastian PARKER	10 - 0	0:29	IPO

Results

Pos	Name
1	Maxim KOFMAN, Challenge Sports Club
2	Benjamin Noah REYNANTE, Nakamura Judo Club

U16 Male -50kg

Competitors

#	Name	Grade	Club	1	2	3	4	5	Wins	Pts	Pos
1	Mekhi REDDICK	Blue	Kanokai Judo Club	XX		10		10	2	20	3
2	Mohammad TURAJEV	Blue	NUMA	10	XX	10			2	20	2
3	Emmett LEE-NEUMAN	Green	Moose Jaw Koseikan Judo			XX		10	1	10	4
4	Bennet PAMPOLINA	Blue	Nakamura Judo Club	10	10	10	XX	10	4	40	1
5	Maxym HENKEWICH	Green	Nakamura Judo Club		10			XX	1	10	5

Matches

Match	White			Blue	Result	Time	Code
C-18	Bennet PAMPOLINA	4	5	Maxym HENKEWICH	10 - 0	0:05	IPO
C-19	Mekhi REDDICK	1	2	Mohammad TURAJEV	0 - 10	1:25	IPO
C-24	Emmett LEE-NEUMAN	3	4	Bennet PAMPOLINA	0 - 10	0:08	IPO
C-25	Mekhi REDDICK	1	5	Maxym HENKEWICH	10 - 0	0:49	WIP
C-37	Mohammad TURAJEV	2	3	Emmett LEE-NEUMAN	10 - 0	0:29	IPO
C-38	Mekhi REDDICK	1	4	Bennet PAMPOLINA	0 - 10	1:02	WIP
C-53	Emmett LEE-NEUMAN	3	5	Maxym HENKEWICH	10 - 0	1:45	IPO
C-55	Mohammad TURAJEV	2	4	Bennet PAMPOLINA	0 - 10	1:34	IPO
C-69	Mekhi REDDICK	1	3	Emmett LEE-NEUMAN	10 - 0	0:30	IPO
C-70	Mohammad TURAJEV	2	5	Maxym HENKEWICH	0 - 10	0:00	KIK

Results

Pos	Name
1	Bennet PAMPOLINA, Nakamura Judo Club
2	Mohammad TURAJEV, NUMA
3	Mekhi REDDICK, Kanokai Judo Club
4	Emmett LEE-NEUMAN, Moose Jaw Koseikan Judo Cl
5	Maxym HENKEWICH, Nakamura Judo Club

U16 Male -55kg

Competitors

#	Name	Grade	Club	1	2	3	4	5	Wins	Pts	Pos
1	Samuel MORRISON	Green	Kodokwai Judo Club	XX		10	10	10	3	30	2
2	Maksym KLYMENKO	Blue	OSP Police Judo Juniors	10	XX	10	10	10	4	40	1
3	Jonas NELISSEN	Blue	Midtown Judo - Kiyomizuk			XX			0	0	5
4	Ivan SKORYK	Green	Nakamura Judo Club			10	XX	10	2	20	3
5	Carter LEVEILLE	Green	Selkirk Judo Club			10		XX	1	10	4

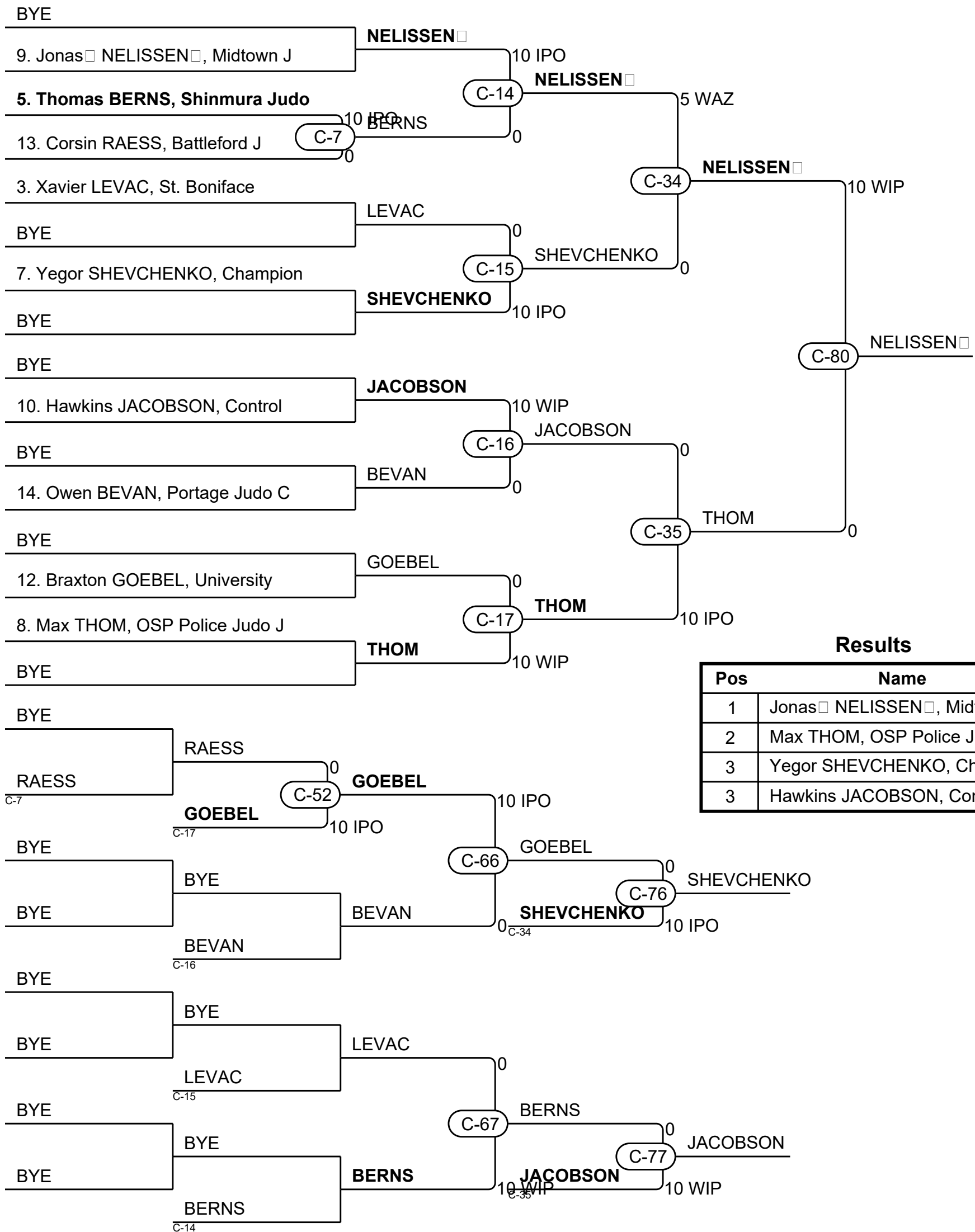
Matches

Match	White			Blue	Result	Time	Code
A-9	Ivan SKORYK	4	5	Carter LEVEILLE	10 - 0	0:00	IPO
A-10	Samuel MORRISON	1	2	Maksym KLYMENKO	0 - 10	0:38	IPO
A-15	Jonas NELISSEN	3	4	Ivan SKORYK	0 - 10	0:00	IPO
A-16	Samuel MORRISON	1	5	Carter LEVEILLE	10 - 0	0:33	IPO
A-20	Maksym KLYMENKO	2	3	Jonas NELISSEN	10 - 0	0:00	IPO
A-21	Samuel MORRISON	1	4	Ivan SKORYK	10 - 0	0:51	IPO
A-37	Jonas NELISSEN	3	5	Carter LEVEILLE	0 - 10	0:00	IPO
A-38	Maksym KLYMENKO	2	4	Ivan SKORYK	10 - 0	1:14	WIP
A-63	Samuel MORRISON	1	3	Jonas NELISSEN	10 - 0	0:00	IPO
A-64	Maksym KLYMENKO	2	5	Carter LEVEILLE	10 - 0	0:19	IPO

Results

Pos	Name
1	Maksym KLYMENKO, OSP Police Judo Juniors
2	Samuel MORRISON, Kodokwai Judo Club
3	Ivan SKORYK, Nakamura Judo Club
4	Carter LEVEILLE, Selkirk Judo Club

U16 Male -60kg



Results

Pos	Name
1	Jonas NELISSEN, Midtown
2	Max THOM, OSP Police Judo
3	Yegor SHEVCHENKO, Champion
3	Hawkins JACOBSON, Control

U16 Male -66kg

Competitors

#	Name	Grade	Club	1	2	1	2	1	2	Wins	Pts	Pos
1	Jasur ALIZADA	Green	Olympic Judo Centre	XX	10	XX	10	XX		2	20	1
2	Tristan JENNER	Green	Portage Judo Club		XX		XX		XX	0	0	2

Matches

Match	White			Blue	Result	Time	Code
B-12	Jasur ALIZADA	1	2	Tristan JENNER	10 - 0	0:06	IPO
B-31	Tristan JENNER	2	1	Jasur ALIZADA	0 - 10	0:16	IPO
B-53	Jasur ALIZADA	1	2	Tristan JENNER			

Results

Pos	Name
1	Jasur ALIZADA, Olympic Judo Centre

U16 Male -73kg

Competitors

#	Name	Grade	Club	1	2	3	Wins	Pts	Pos
1	Thomas CAMPBELL	Blue	NUMA	XX		10	1	10	2
2	John COLNEY	Blue	Kodokwai Judo Club	10	XX	10	2	20	1
3	Daniel VASILIEV	Blue	Selkirk Judo Club			XX	0	0	3

Matches

Match	White			Blue	Result	Time	Code
B-24	Thomas CAMPBELL	1	2	John COLNEY	0 - 10	1:12	WIP
B-44	Thomas CAMPBELL	1	3	Daniel VASILIEV	10 - 0	2:09	WIP
B-68	John COLNEY	2	3	Daniel VASILIEV	10 - 0	0:07	IPO

Results

Pos	Name
1	John COLNEY, Kodokwai Judo Club
2	Thomas CAMPBELL, NUMA

U16 Male +73kg

Competitors

#	Name	Grade	Club	1	2	1	2	1	2	Wins	Pts	Pos
1	Ridley SUBERLAK	Green	Battleford Judo Club	XX		XX		XX		0	0	2
2	Owen BILODEAU	Green	NUMA	10	XX	10	XX		XX	2	20	1

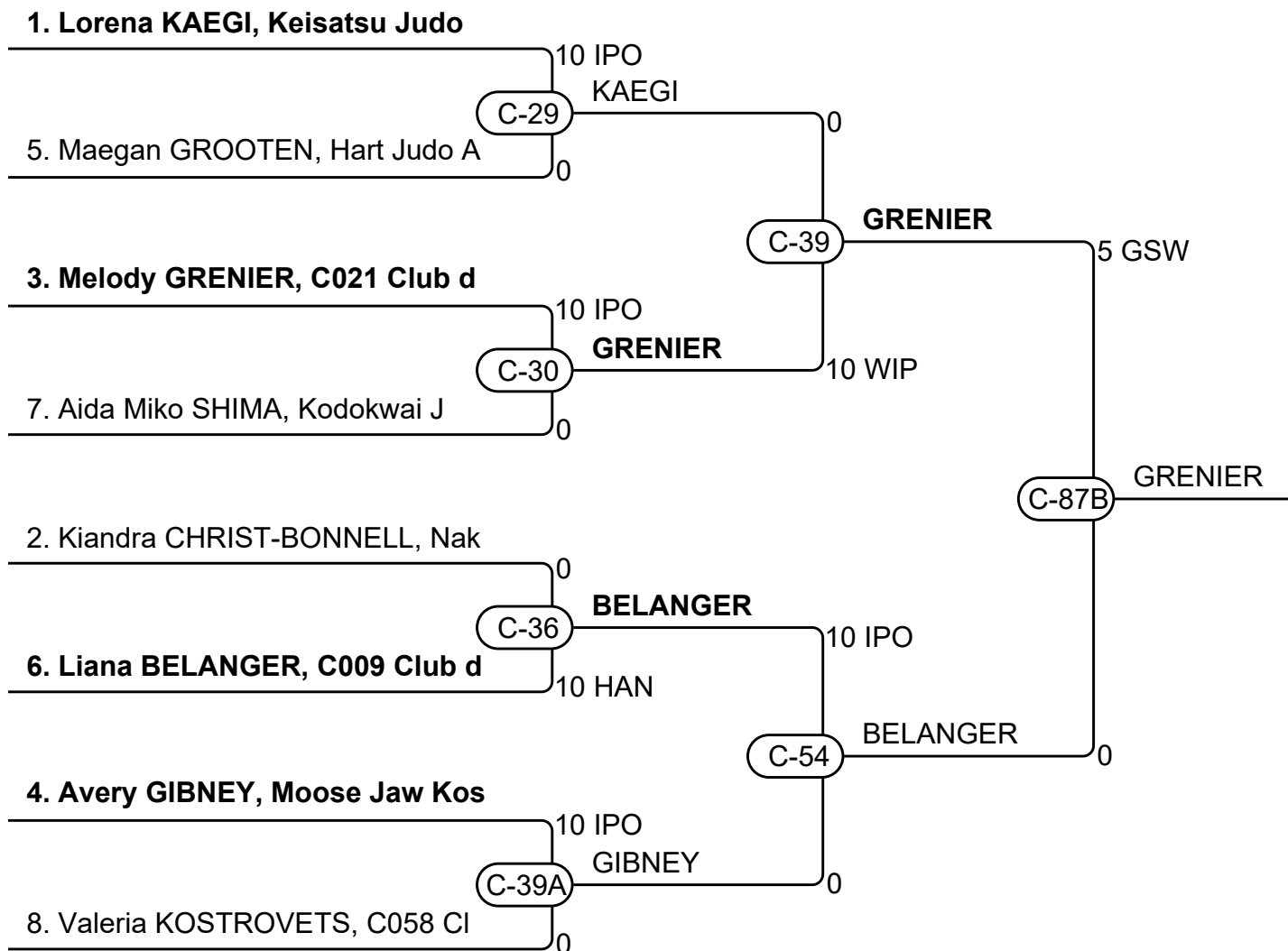
Matches

Match	White			Blue	Result	Time	Code
B-17	Ridley SUBERLAK	1	2	Owen BILODEAU	0 - 10	0:15	IPO
B-34	Owen BILODEAU	2	1	Ridley SUBERLAK	10 - 0	0:12	IPO
B-61	Ridley SUBERLAK	1	2	Owen BILODEAU			

Results

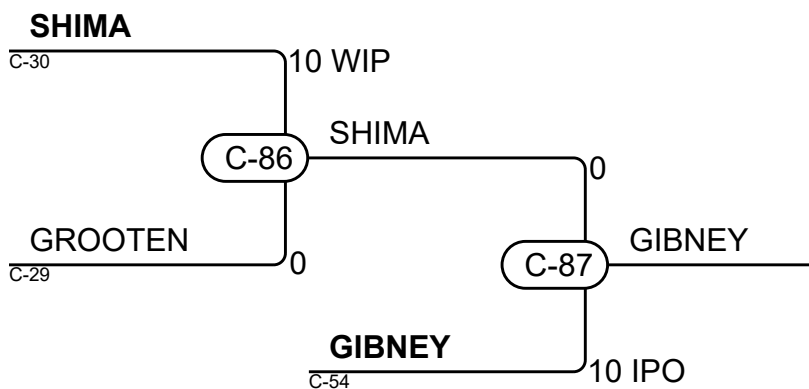
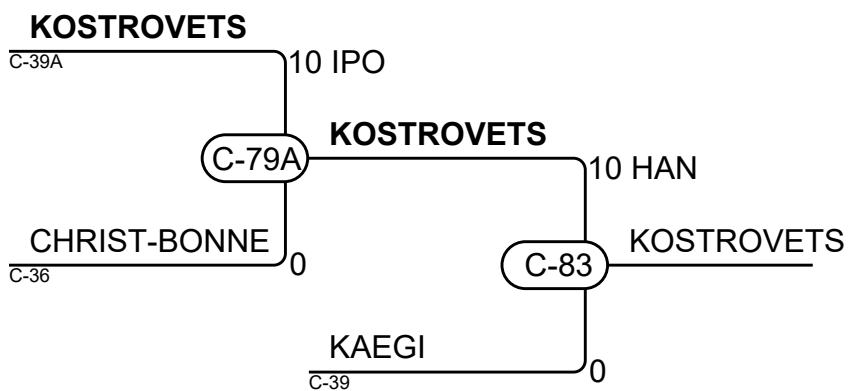
Pos	Name
1	Owen BILODEAU, NUMA

Senior Female -52kg



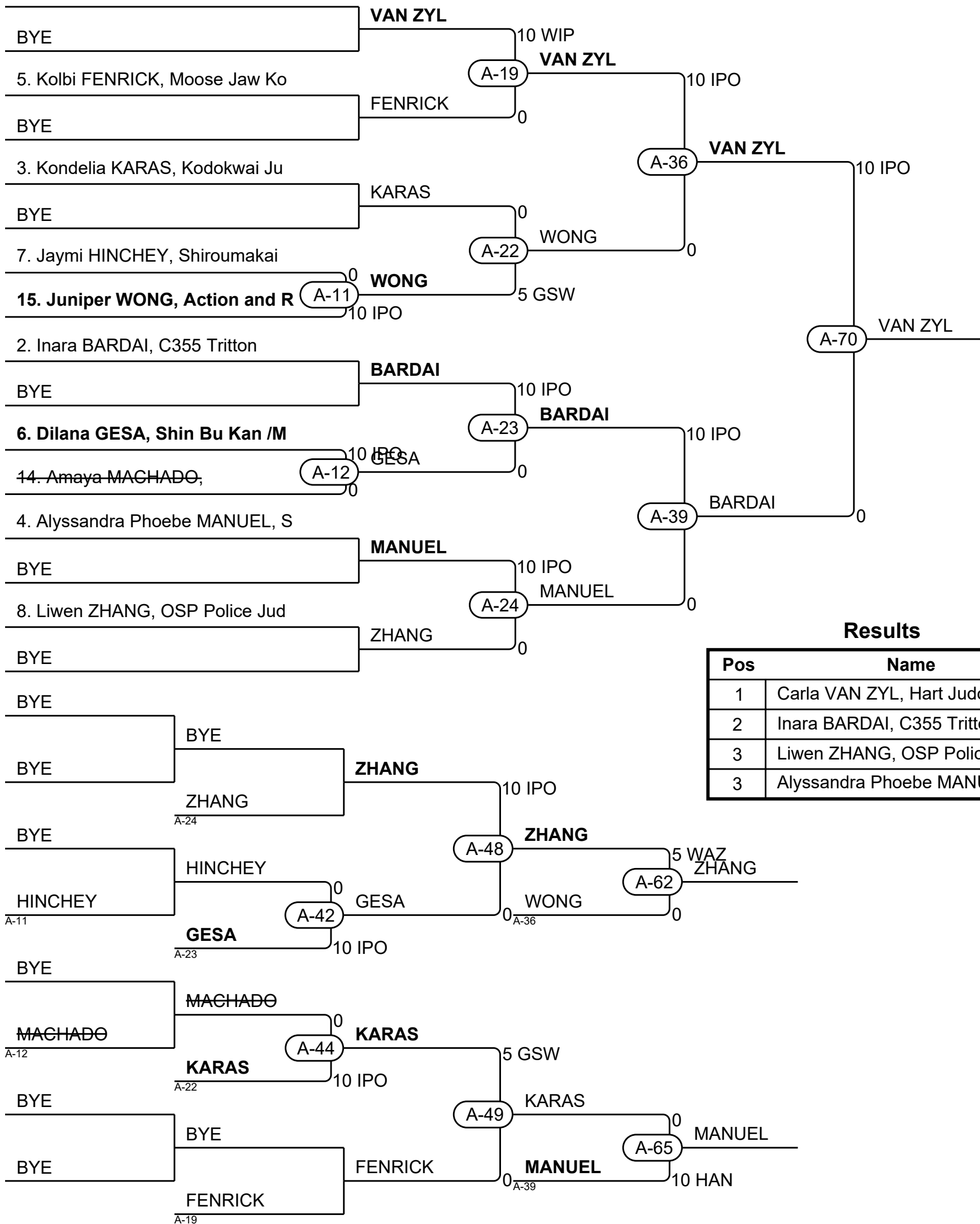
Results

Pos	Name
1	Melody GRENIER, C021 Club
2	Liana BELANGER, C009 Club
3	Valeria KOSTROVETS, C058 C
3	Avery GIBNEY, Moose Jaw Ko



Senior Female -57kg

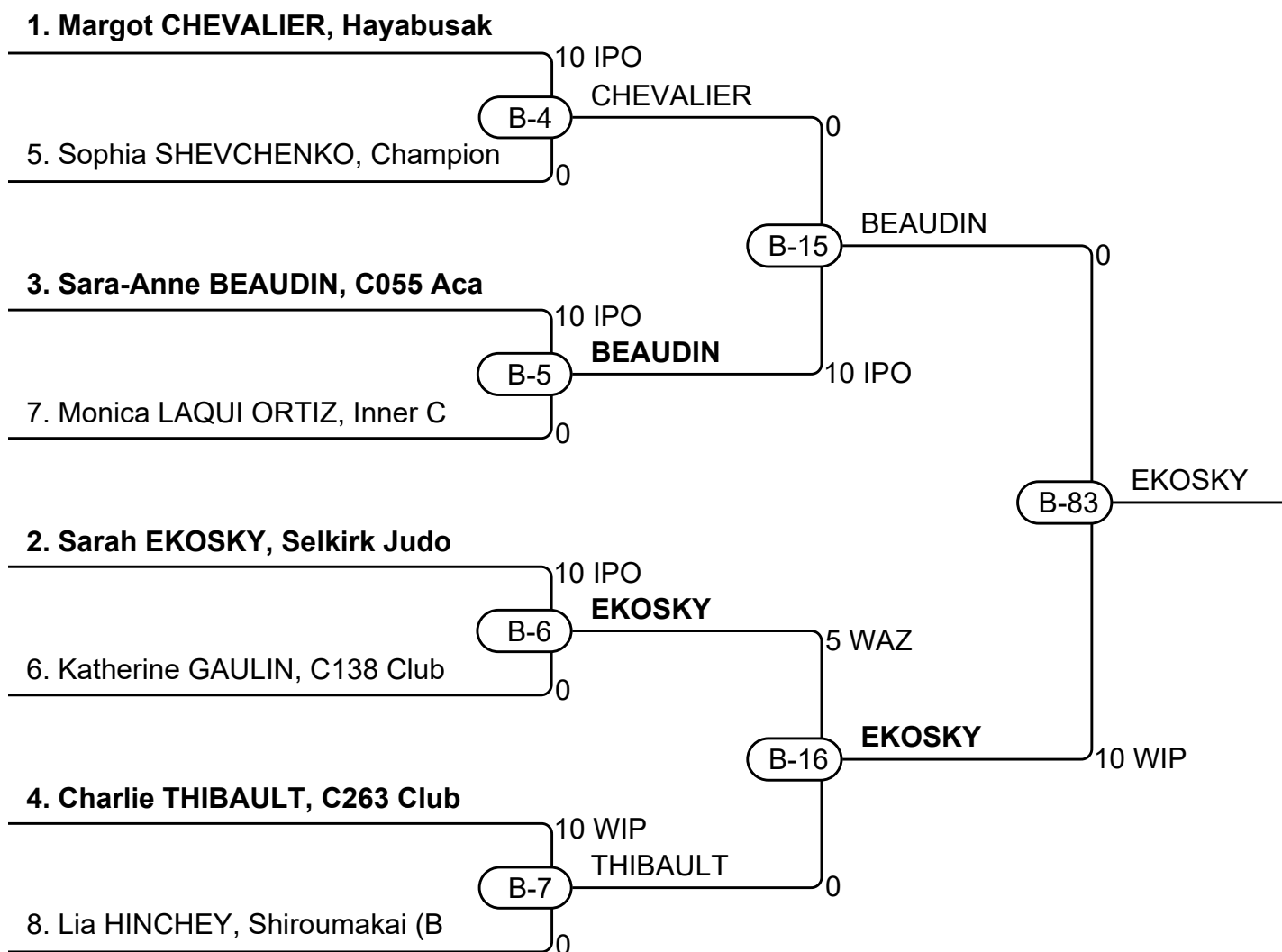
1. Carla VAN ZYL, Hart Judo Ac



Results

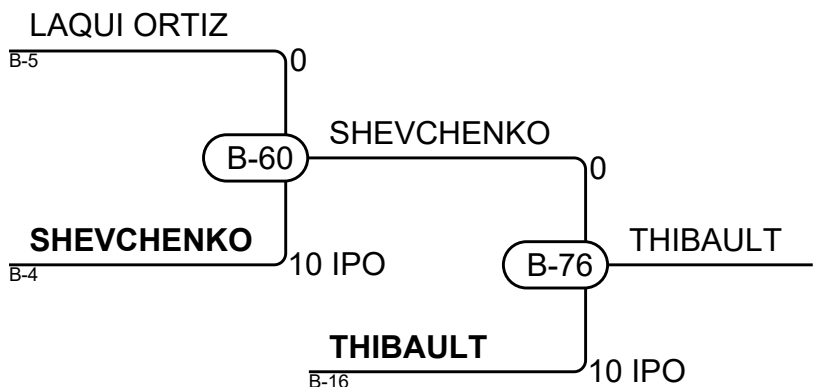
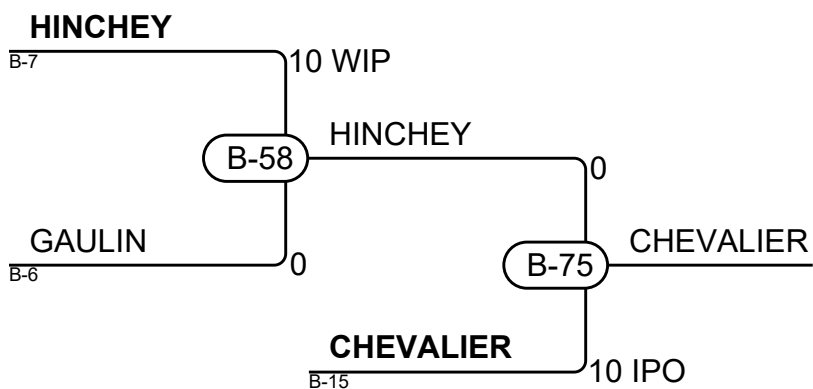
Pos	Name
1	Carla VAN ZYL, Hart Judo A
2	Inara BARDAI, C355 Tritton
3	Liwen ZHANG, OSP Police Ju
3	Alyssandra Phoebe MANUEL,

Senior Female -63kg



Results

Pos	Name
1	Sarah EKOSKY, Selkirk Judo
2	Sara-Anne BEAUDIN, C055 Ac
3	Margot CHEVALIER, Hayabusa
3	Charlie THIBAUT, C263 Clu



Senior Female -70kg

Competitors

#	Name	Grade	Club	1	2	3	4	5	Wins	Pts	Pos
1	Missy Jen DORVAL-MBELE	Brown	C058 Club de judo MÃ©tro	XX		10		10	2	20	2
2	Charline BOURQUE	Brown	C021 Club de Judo Bouche	10	XX	10	10	10	4	40	1
3	Chloe MALIN	Sandan	Yellowknife			XX			0	0	5
4	Elizabeth COSSITT	Brown	Kodokwai Judo Club	10		10	XX		2	20	3
5	Abigail SMITH	Brown	NUMA			10	10	XX	2	20	4

Matches

Match	White			Blue	Result	Time	Code
C-12	Elizabeth COSSITT	4	5	Abigail SMITH	0 - 10	4:00	IPO
C-13	Missy Jen DORVAL-MBELE	1	2	Charline BOURQUE	0 - 10	2:48	WIP
C-22	Chloe MALIN	3	4	Elizabeth COSSITT	0 - 10	1:33	IPO
C-23	Missy Jen DORVAL-MBELE	1	5	Abigail SMITH	10 - 0	0:21	IPO
C-32	Charline BOURQUE	2	3	Chloe MALIN	10 - 0	1:12	IPO
C-33	Missy Jen DORVAL-MBELE	1	4	Elizabeth COSSITT	0 - 10	2:21	IPO
C-50	Chloe MALIN	3	5	Abigail SMITH	0 - 10	3:31	IPO
C-51	Charline BOURQUE	2	4	Elizabeth COSSITT	10 - 0	1:33	IPO
C-64	Missy Jen DORVAL-MBELE	1	3	Chloe MALIN	10 - 0	2:11	IPO
C-65	Charline BOURQUE	2	5	Abigail SMITH	10 - 0	0:12	IPO

Results

Pos	Name
1	Charline BOURQUE, C021 Club de Judo Bouchervi
2	Missy Jen DORVAL-MBELE, C058 Club de judo MÃ©tro
2	Elizabeth COSSITT, Kodokwai Judo Club
2	Abigail SMITH, NUMA

Senior Female -70kg (TB)

Competitors

#	Name	Grade	Club	1	2	3	Wins	Pts	Pos
1	Abigail SMITH	Brown	NUMA	XX			0	0	3
2	Missy Jen DORVAL-MBELE	Brown	C058 Club de judo MÃ©tro	5	XX	10	2	15	1
3	Elizabeth COSSITT	Brown	Kodokwai Judo Club	5		XX	1	5	2

Matches

Match	White			Blue	Result	Time	Code
C-76A	Abigail SMITH	1	2	Missy Jen DORVAL-MBELE	0 - 5	3:08	WAZ
C-82B	Abigail SMITH	1	3	Elizabeth COSSITT	0 - 5	3:37	GSW
C-86A	Missy Jen DORVAL-MBELE	2	3	Elizabeth COSSITT	10 - 0	1:12	GSI

Results

Pos	Name
1	Missy Jen DORVAL-MBELE, C058 Club de judo MÃ©tro
2	Elizabeth COSSITT, Kodokwai Judo Club

Senior Female +-78kgEX

Competitors

#	Name	Grade	Club	1	2	1	2	1	2	Wins	Pts	Pos
1	Alisa KOFMAN	Brown	Challenge Sports Club	XX	10	XX	10	XX		2	20	1
2	Chloe MALIN	Sandan	Yellowknife		XX		XX		XX	0	0	2

Matches

Match	White			Blue	Result	Time	Code
A-66A	Alisa KOFMAN	1	2	Chloe MALIN	10 - 0	0:11	IPO
A-73	Chloe MALIN	2	1	Alisa KOFMAN	0 - 10	0:41	IPO
A-77B	Alisa KOFMAN	1	2	Chloe MALIN			

Results

Pos	Name
1	Alisa KOFMAN, Challenge Sports Club

Senior Female +78kg

Competitors

#	Name	Grade	Club	1	Wins	Pts	Pos
1	Alisa KOFMAN	Brown	Challenge Sports Club	XX	0	0	1

Matches

Match	White	Blue	Result	Time	Code
-------	-------	------	--------	------	------

Results

Pos	Name

Senior FNov -52kg

Competitors

#	Name	Grade	Club	1	2	3	4	Wins	Pts	Pos
1	Chloe STUBER	Blue	Medicine Hat Judo Club	XX				0	0	4
2	Emereese KURPJUWEIT	Blue	Medicine Hat Judo Club	10	XX			1	10	3
3	Beth PENNER	Blue	Selkirk Judo Club	10	10	XX		2	20	2
4	Chloe FAHIE	Green	NUMA	10	10	10	XX	3	30	1

Matches

Match	White			Blue	Result	Time	Code
C-68	Chloe STUBER	1	2	Emereese KURPJUWEIT	0 - 10	0:10	IPO
C-68A	Beth PENNER	3	4	Chloe FAHIE	0 - 10	0:18	WIP
C-74	Chloe STUBER	1	3	Beth PENNER	0 - 10	2:33	WIP
C-75	Emereese KURPJUWEIT	2	4	Chloe FAHIE	0 - 10	1:16	WIP
C-82A	Chloe STUBER	1	4	Chloe FAHIE	0 - 10	1:30	WIP
C-87F	Emereese KURPJUWEIT	2	3	Beth PENNER	0 - 10	2:34	WIP

Results

Pos	Name
1	Chloe FAHIE, NUMA
2	Beth PENNER, Selkirk Judo Club
3	Emereese KURPJUWEIT, Medicine Hat Judo Club

Senior FNov -57kg

Competitors

#	Name	Grade	Club	1	2	1	2	1	2	Wins	Pts	Pos
1	Katherine BROWN	Green	NUMA	XX	10	XX	10	XX		2	20	1
2	Kaya LEVEILLE	Blue	Selkirk Judo Club		XX		XX		XX	0	0	2

Matches

Match	White			Blue	Result	Time	Code
A-43	Katherine BROWN	1	2	Kaya LEVEILLE	10 - 0	1:08	IPO
A-53	Kaya LEVEILLE	2	1	Katherine BROWN	0 - 10	0:36	WIP
A-59	Katherine BROWN	1	2	Kaya LEVEILLE			

Results

Pos	Name
1	Katherine BROWN, NUMA

Senior FNov -63kg

Competitors

#	Name	Grade	Club	1	2	1	2	1	2	Wins	Pts	Pos
1	Mckenna STEWART	Blue	Selkirk Judo Club	XX	5	XX		XX		1	5	2
2	Leah MCLEAN	Blue	Shiroumakai		XX	5	XX	10	XX	2	15	1

Matches

Match	White			Blue	Result	Time	Code
B-43	Mckenna STEWART	1	2	Leah MCLEAN	5 - 0	4:00	WAZ
B-51	Leah MCLEAN	2	1	Mckenna STEWART	5 - 0	4:00	WAZ
B-59	Mckenna STEWART	1	2	Leah MCLEAN	0 - 10	4:00	WIP

Results

Pos	Name
1	Leah MCLEAN, Shiroumakai
2	Mckenna STEWART, Selkirk Judo Club

Senior Male -100kg

Competitors A

#	Name	Grade	Club	1	2	3	4	Wins	Pts	Pos
1	Richard TURNER	Brown	Ishi Yama Institute Of J	XX			10	1	10	3
2	Danick ROCHELEAU	Shodan	C058 Club de judo MÃ©tro	10	XX	10	10	3	30	1
3	Abel VELASQUEZ KASAP	Brown	OSP Police Judo Juniors	10		XX	10	2	20	2
4	Cai JAMES	Blue	Balmoral Judo Club				XX	0	0	4

Matches A

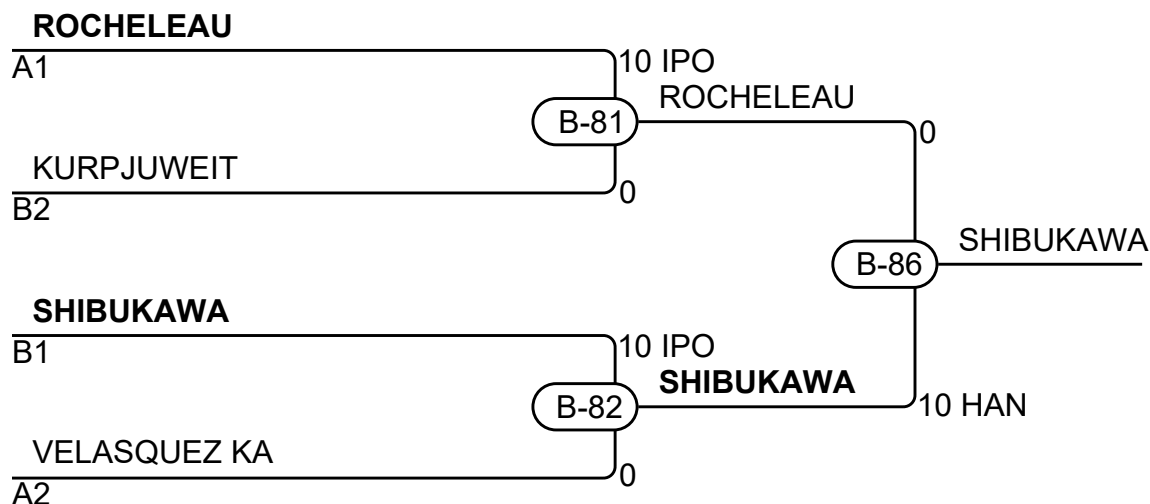
Match	White	Blue	Result	Time	Code
B-26	Richard TURNER	Danick ROCHELEAU	0 - 10	4:44	HAN
B-27	Abel VELASQUEZ KASAP	Cai JAMES	10 - 0	0:14	IPO
B-3	Richard TURNER	Abel VELASQUEZ KASAP	0 - 10	1:41	IPO
B-46	Danick ROCHELEAU	Cai JAMES	10 - 0	0:11	IPO
B-70	Richard TURNER	Cai JAMES	10 - 0	0:54	IPO
B-71	Danick ROCHELEAU	Abel VELASQUEZ KASAP	10 - 0	1:41	WIP

Competitors B

#	Name	Grade	Club	5	6	7	Wins	Pts	Pos
5	Takuma SHIBUKAWA	Nidan	Midtown Judo - Kiyomizuk	XX	10	10	2	20	1
6	Robin KURPJUWEIT	Shodan	Medicine Hat Judo Club		XX	10	1	10	2
7	Armando GONZALEZ-BERMUDEZ	Brown	C355 Tritton Judo			XX	0	0	3

Matches B

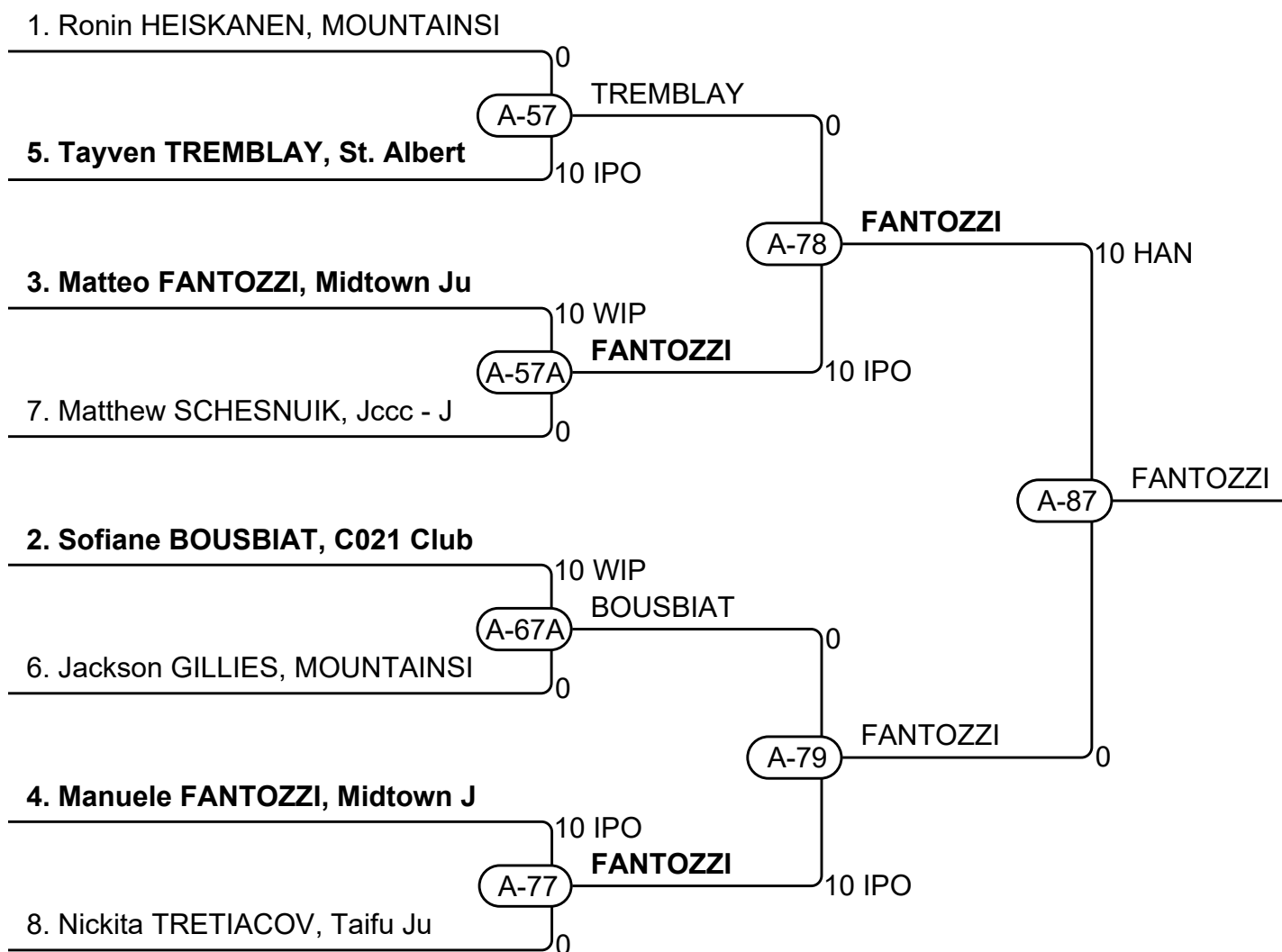
Match	White	Blue	Result	Time	Code
B-28	Takuma SHIBUKAWA	Robin KURPJUWEIT	10 - 0	0:34	IPO
B-47	Takuma SHIBUKAWA	Armando GONZALEZ-BERMUDEZ	10 - 0	0:40	IPO
B-72	Robin KURPJUWEIT	Armando GONZALEZ-BERMUDEZ	10 - 0	1:59	IPO



Results

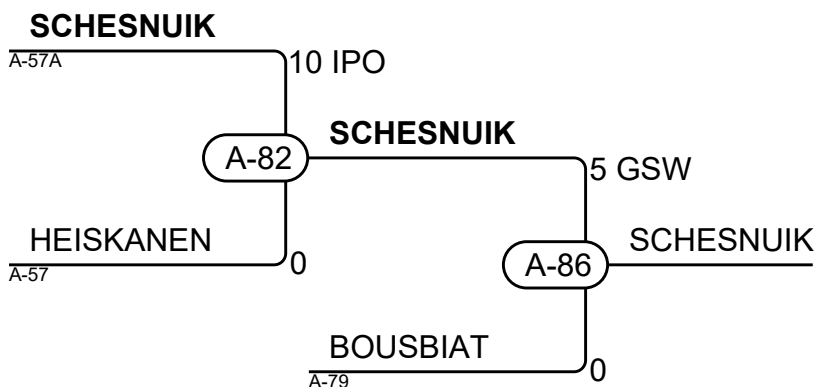
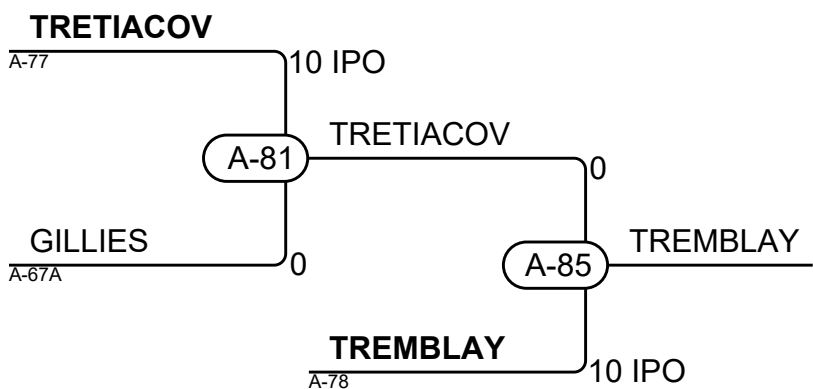
Pos	Name
1	Takuma SHIBUKAWA, Midtown Judo - Kiyomizukan
2	Danick ROCHELEAU, C058 Club de judo MÃ©tropol
3	Robin KURPJUWEIT, Medicine Hat Judo Club
3	Abel VELASQUEZ KASAP, OSP Police Judo Juniors

Senior Male -60kg

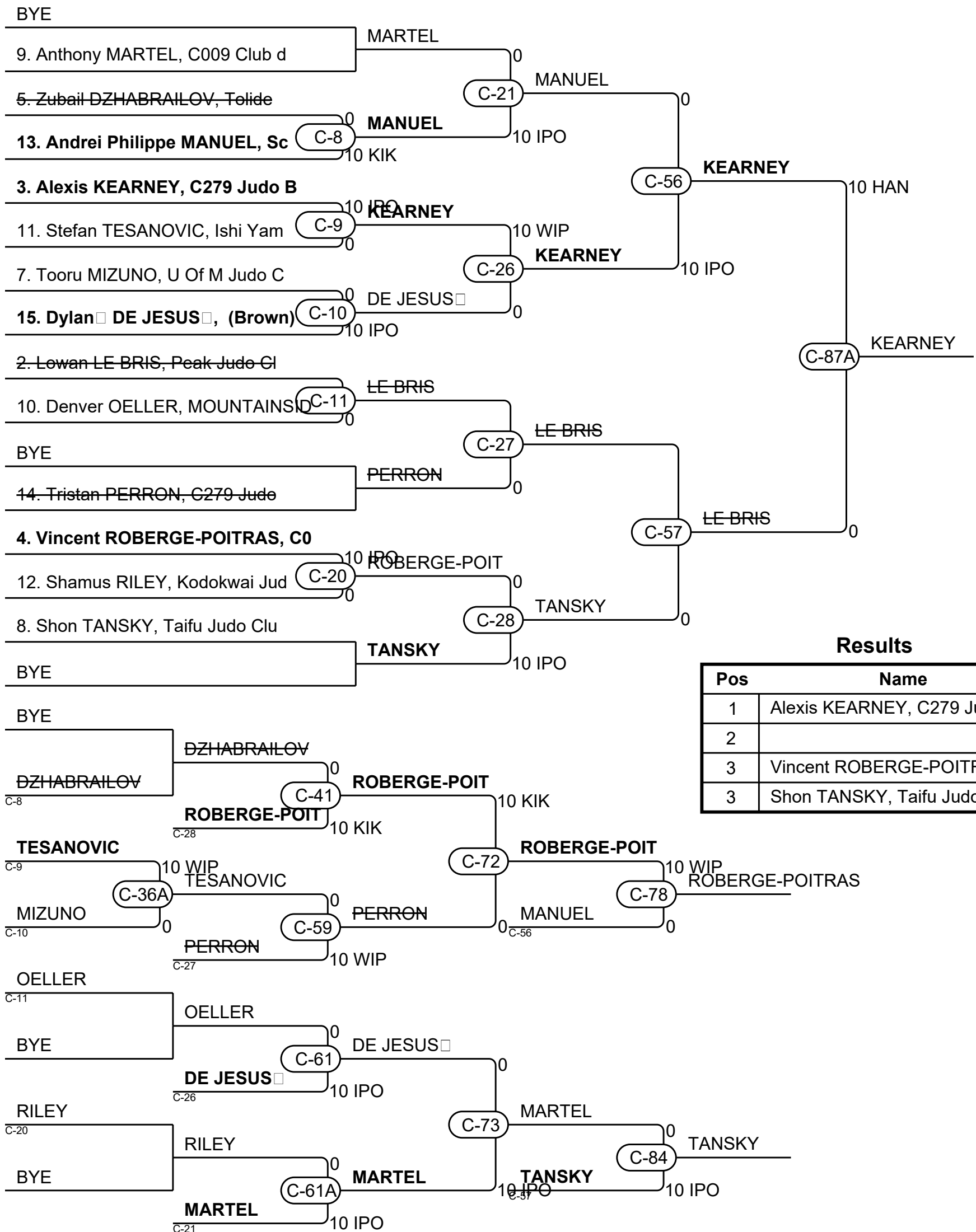


Results

Pos	Name
1	Matteo FANTOZZI, Midtown J
2	Manuele FANTOZZI, Midtown
3	Tayven TREMBLAY, St. Alber
3	Matthew SCHESNUIK, Jccc -



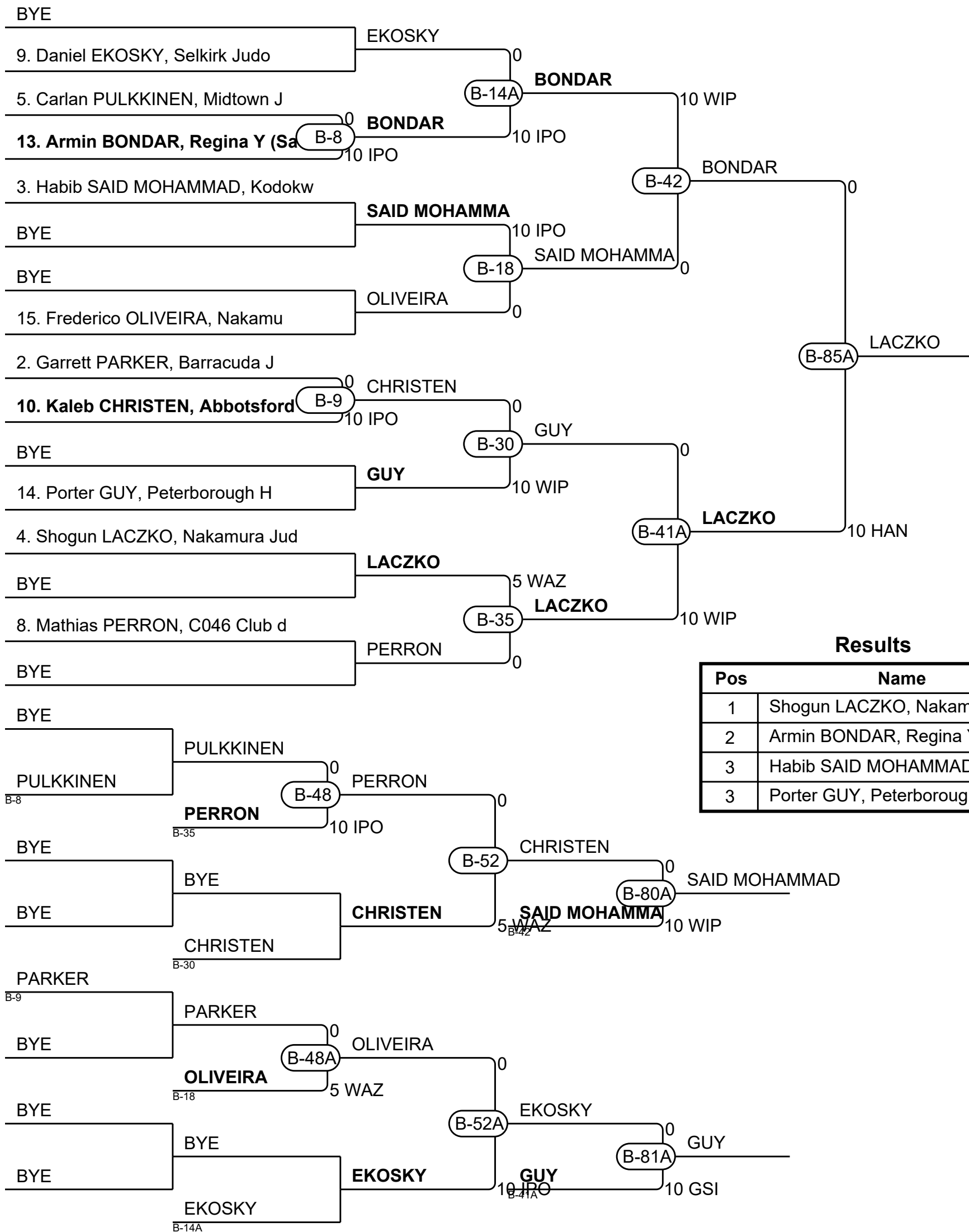
Senior Male -66kg



Results

Pos	Name
1	Alexis KEARNEY, C279 Judo
2	
3	Vincent ROBERGE-POITRAS, C
3	Shon TANSKY, Taifu Judo Cl

Senior Male -81kg



Results

Pos	Name
1	Shogun LACZKO, Nakamura Ju
2	Armin BONDAR, Regina Y
3	Habib SAID MOHAMMAD, Kodok
3	Porter GUY, Peterborough H

Senior Male -90kg

Competitors

#	Name	Grade	Club	1	2	3	4	Wins	Pts	Pos
1	Faniry-Michael ANDRIAMANAN	Shodan	C090 Club de judo Saint-	XX	10	10	10	3	30	1
2	George MADUMBA	Shodan	C355 Tritton Judo		XX	10	10	2	20	2
3	Julian GISSING	Brown	Judo Nunavut			XX	10	1	10	3
4	Eden KHALFON	Brown	Taifu Judo Club				XX	0	0	4

Matches

Match	White			Blue	Result	Time	Code
B-13	Faniry-Michael ANDRIAMANANA	1	2	George MADUMBA	10 - 0	5:05	GSI
B-14	Julian GISSING	3	4	Eden KHALFON	10 - 0	0:18	IPO
B-32	Faniry-Michael ANDRIAMANANA	1	3	Julian GISSING	10 - 0	1:00	IPO
B-33	George MADUMBA	2	4	Eden KHALFON	10 - 0	3:13	IPO
B-54	Faniry-Michael ANDRIAMANANA	1	4	Eden KHALFON	10 - 0	1:38	WIP
B-55	George MADUMBA	2	3	Julian GISSING	10 - 0	2:02	WIP

Results

Pos	Name
1	Faniry-Michael ANDRIAMANANA, C090 Club de jud
2	George MADUMBA, C355 Tritton Judo
3	Julian GISSING, Judo Nunavut

Senior MNov -66kg

Competitors

#	Name	Grade	Club	1	2	3	4	5	Wins	Pts	Pos
1	Bryce CHAPMAN	Green	Kanokai Judo Club	XX				10	1	10	4
2	Romario MEJIA KASAP	Blue/Brown	OSP Police Judo Juniors	10	XX	10		10	3	30	2
3	Liam GISHLER	Blue	Shiroumakai	10		XX		10	2	20	3
4	Billy-Joe BALDONADO	Blue	Ishi Yama Institute Of J	10	10	10	XX	10	4	40	1
5	David BEVAN	Blue	Portage Judo Club					XX	0	0	5

Matches

Match	White			Blue	Result	Time	Code
C-58	Billy-Joe BALDONADO	4	5	David BEVAN	10 - 0	0:21	IPO
C-60	Bryce CHAPMAN	1	2	Romario MEJIA KASAP	0 - 10	3:07	IPO
C-62A	Liam GISHLER	3	4	Billy-Joe BALDONADO	0 - 10	0:15	IPO
C-81	Bryce CHAPMAN	1	5	David BEVAN	10 - 0	0:00	KIK
C-82	Romario MEJIA KASAP	2	3	Liam GISHLER	10 - 0	3:06	WIP
C-85	Bryce CHAPMAN	1	4	Billy-Joe BALDONADO	0 - 10	0:30	IPO
C-71	Liam GISHLER	3	5	David BEVAN	10 - 0	0:00	KIK
C-88	Romario MEJIA KASAP	2	4	Billy-Joe BALDONADO	0 - 10	3:56	IPO
C-87E	Bryce CHAPMAN	1	3	Liam GISHLER	0 - 10	0:27	IPO
C-87C	Romario MEJIA KASAP	2	5	David BEVAN	10 - 0	0:00	KIK

Results

Pos	Name
1	Billy-Joe BALDONADO, Ishi Yama Institute Of J
2	Romario MEJIA KASAP, OSP Police Judo Juniors
3	Liam GISHLER, Shiroumakai
4	Bryce CHAPMAN, Kanokai Judo Club

Senior MNov -81kg

Competitors

#	Name	Grade	Club	1	2	3	Wins	Pts	Pos
1	Jaxon HALE	Blue	Nakamura Judo Club	XX	10	10	2	20	1
2	Benison RAMOS	Green	Nakamura Judo Club		XX		0	0	3
3	Alexandru SANDU	Blue	Ishi Yama Institute Of J		10	XX	1	10	2

Matches

Match	White			Blue	Result	Time	Code
B-10	Jaxon HALE	1	2	Benison RAMOS	10 - 0	1:24	WIP
B-19	Jaxon HALE	1	3	Alexandru SANDU	10 - 0	0:14	IPO
B-23A	Benison RAMOS	2	3	Alexandru SANDU	0 - 10	2:30	WIP

Results

Pos	Name
1	Jaxon HALE, Nakamura Judo Club
2	Alexandru SANDU, Ishi Yama Institute Of Judo

Senior MNov -90kg

Competitors

#	Name	Grade	Club	1	2	1	2	1	2	Wins	Pts	Pos
1	Dalin KYMANICK	Blue	Selkirk Judo Club	XX		XX		XX		0	0	2
2	Tennyson VERWEY	Blue	Portage Judo Club	10	XX	10	XX		XX	2	20	1

Matches

Match	White			Blue	Result	Time	Code
B-41	Dalin KYMANICK	1	2	Tennyson VERWEY	0 - 10	0:37	IPO
B-50	Tennyson VERWEY	2	1	Dalin KYMANICK	10 - 0	0:50	WIP
B-56	Dalin KYMANICK	1	2	Tennyson VERWEY			

Results

Pos	Name
1	Tennyson VERWEY, Portage Judo Club

Vet M -73kg

Competitors

#	Name	Grade	Club	1	2	1	2	1	2	Wins	Pts	Pos
1	Kyle O'BRIEN	Brown	Lethbridge Kyodokan Judo	XX	10	XX		XX	5	2	15	1
2	Billy-Joe BALDONADO	Blue	Ishi Yama Institute Of J		XX	10	XX		XX	1	10	2

Matches

Match	White			Blue	Result	Time	Code
C-18	Kyle O'BRIEN	1	2	Billy-Joe BALDONADO	10 - 0	0:17	xxx
C-25	Billy-Joe BALDONADO	2	1	Kyle O'BRIEN	10 - 0	0:34	xxx
C-28	Kyle O'BRIEN	1	2	Billy-Joe BALDONADO	5 - 0	3:00	xxx

Results

Pos	Name
1	Kyle O'BRIEN, Lethbridge Kyodokan Judo Club
2	Billy-Joe BALDONADO, Ishi Yama Institute Of J

Vet M -81kg

Competitors

#	Name	Grade	Club	1	2	3	4	Wins	Pts	Pos
1	Frederico OLIVEIRA	Shodan	Nakamura Judo Club	XX	15		10	2	25	1
2	Jaime CAMPOS	Brown	Nakamura Judo Club		XX	10	10	2	20	2
3	Jr DINGWALL	Shodan	South Corman Park Judo C	10		XX	10	2	20	3
4	Tony SHOWCHUK	Blue	Regina Y				XX	0	0	4

Matches

Match	White			Blue	Result	Time	Code
B-27	Frederico OLIVEIRA	1	2	Jaime CAMPOS	15 - 0	0:48	xxx
B-38	Jr DINGWALL	3	4	Tony SHOWCHUK	10 - 0	2:56	xxx
B-49	Frederico OLIVEIRA	1	3	Jr DINGWALL	0 - 10	3:14	xxx
B-60	Jaime CAMPOS	2	4	Tony SHOWCHUK	10 - 0	0:24	xxx
B-66	Frederico OLIVEIRA	1	4	Tony SHOWCHUK	10 - 0	0:52	xxx
B-71	Jaime CAMPOS	2	3	Jr DINGWALL	10 - 0	2:56	xxx

Results

Pos	Name
1	Frederico OLIVEIRA, Nakamura Judo Club
2	Jaime CAMPOS, Nakamura Judo Club
3	Jr DINGWALL, South Corman Park Judo Club

Vet M -90kg

Competitors

#	Name	Grade	Club	1	Wins	Pts	Pos
1	Eric JENNER	Shodan	Portage Judo Club	XX	0	0	1

Matches

Match	White	Blue	Result	Time	Code
-------	-------	------	--------	------	------

Results

Pos	Name

Vet M -100kg EX

Competitors

#	Name	Grade	Club	1	2	1	2	1	2	Wins	Pts	Pos
1	Eric JENNER	Shodan	Portage Judo Club	XX	10	XX	10	XX		2	20	1
2	Cai JAMES	Blue	Balmoral Judo Club		XX		XX		XX	0	0	2

Matches

Match	White			Blue	Result	Time	Code
B-29A	Eric JENNER	1	2	Cai JAMES	10 - 0	0:55	IPO
B-34A	Cai JAMES	2	1	Eric JENNER	0 - 10	1:31	IPO
B-39A	Eric JENNER	1	2	Cai JAMES			

Results

Pos	Name
1	Eric JENNER, Portage Judo Club

Vet M -100kg

Competitors

#	Name	Grade	Club	1	2	3	4	Wins	Pts	Pos
1	P.wade CAMPBELL	Brown	Portage Judo Club	XX				0	0	4
2	Eric JENNER	Shodan	Portage Judo Club	10	XX	10	10	3	30	1
3	Richard TURNER	Brown	Ishi Yama Institute Of J	10		XX	10	2	20	2
4	Robin KURPJUWEIT	Shodan	Medicine Hat Judo Club	10			XX	1	10	3

Matches

Match	White			Blue	Result	Time	Code
A-31	P.wade CAMPBELL	1	2	Eric JENNER	0 - 10	0:00	xxx
A-41	Richard TURNER	3	4	Robin KURPJUWEIT	10 - 0	0:51	xxx
A-51	P.wade CAMPBELL	1	3	Richard TURNER	0 - 10	0:00	xxx
A-60	Eric JENNER	2	4	Robin KURPJUWEIT	10 - 0	0:50	xxx
A-68	P.wade CAMPBELL	1	4	Robin KURPJUWEIT	0 - 10	0:00	xxx
A-72	Eric JENNER	2	3	Richard TURNER	10 - 0	0:16	xxx

Results

Pos	Name
1	Eric JENNER, Portage Judo Club
2	Richard TURNER, Ishi Yama Institute Of Judo
3	Robin KURPJUWEIT, Medicine Hat Judo Club