

NeWazaM -81kg

Competitors A

#	Name	Grade	Club	1	2	3	Wins	Pts	Pos
1	Dave JOOKHUU	Green	Ishi Yama	XX	20	10	2	30	1
2	Jr DINGWALL	Shodan	South Corman		XX		0	0	3
3	Justin Paul CASAVANT	Yondan	Keisatsu		20	XX	1	20	2

Matches A

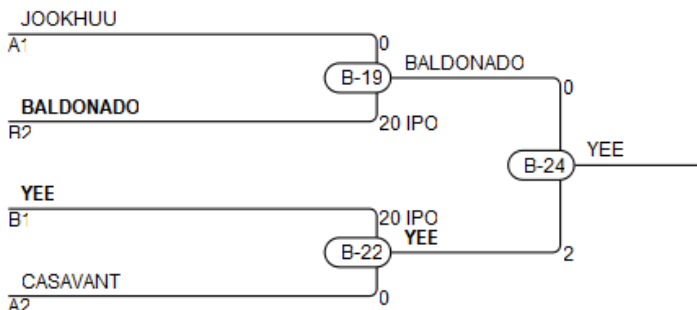
Match	White	Blue	Result	Time	Code
B-1	Dave JOOKHUU 1 2	Jr DINGWALL	20 - 0	1:45	IPO
B-6	Dave JOOKHUU 1 3	Justin Paul CASAVANT	10 - 0	4:00	
B-13	Jr DINGWALL 2 3	Justin Paul CASAVANT	0 - 20	0:48	IPO

Competitors B

#	Name	Grade	Club	4	5	6	Wins	Pts	Pos
4	Billy-Joe BALDONADO	Green	Ishi Yama	XX		16	1	16	2
5	Michael YEE	Brown	Regina Y	2	XX	20	2	22	1
6	Malakai KURPJUWEIT	Brown	Medicine Hat			XX	0	0	3

Matches B

Match	White	Blue	Result	Time	Code
B-2	Billy-Joe BALDONADO 4 5	Michael YEE	0 - 2	4:00	
B-10	Billy-Joe BALDONADO 4 6	Malakai KURPJUWEIT	16 - 0	4:00	
B-15	Michael YEE 5 6	Malakai KURPJUWEIT	20 - 0	1:01	IPO



Results

Pos	Name
1	Michael YEE, Regina Y
2	Billy-Joe BALDONADO, Ishi Yama
3	Dave JOOKHUU, Ishi Yama
3	Justin Paul CASAVANT, Keisatsu

NeWazaM +81kg

Competitors A

#	Name	Grade	Club	1	2	3	Wins	Pts	Pos
1	Richard TURNER	Blue	Ishi Yama	XX	20	20	2	40	1
2	Paul SINNETT	Brown	Avonhurst		XX		0	0	3
3	Owen DUFFY	Green	Medicine Hat		20	XX	1	20	2

Matches A

Match	White	Blue	Result	Time	Code
B-3	Richard TURNER 1 2	Paul SINNETT	20 - 0	0:00	FUS
B-7	Richard TURNER 1 3	Owen DUFFY	20 - 0	0:21	IPO
B-14	Paul SINNETT 2 3	Owen DUFFY	0 - 20	0:00	FUS

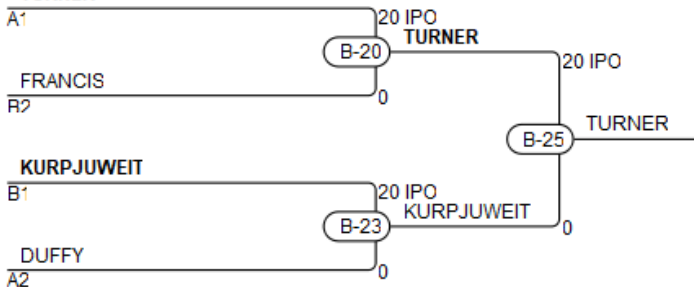
Competitors B

#	Name	Grade	Club	4	5	6	Wins	Pts	Pos
4	Franklin MARTIN	Brown	BP Judo club	XX			0	0	3
5	Robin KURPJUWEIT	Shodan	Medicine Hat	20	XX	20	2	40	1
6	Kirkland FRANCIS	Shodan	Regina Y	18		XX	1	18	2

Matches B

Match	White	Blue	Result	Time	Code
B-5	Franklin MARTIN 4 5	Robin KURPJUWEIT	0 - 20	1:51	IPO
B-11	Franklin MARTIN 4 6	Kirkland FRANCIS	0 - 18	4:00	
B-16	Robin KURPJUWEIT 5 6	Kirkland FRANCIS	20 - 0	1:08	IPO

TURNER



Results

Pos	Name
1	Richard TURNER, Ishi Yama
2	Robin KURPJUWEIT, Medicine Hat
3	Kirkland FRANCIS, Regina Y
3	Owen DUFFY, Medicine Hat

U10 Group 1

Competitors

#	Name	Grade	Club	1	2	3	4	5	Wins	Pts	Pos
1	Linnea ANDERSON	Yellow	Avonhurst	XX	10	10	10	10	4	40	1
2	Atticus MCALPINE	Yellow/Orange	Medicine Hat		XX		10	10	2	20	3
3	Khloe SNIDER	Yellow	Avonhurst		10	XX	10	10	3	30	2
4	Jaxon MOHAN	Yellow	Airdrie				XX	10	1	10	4
5	Jane PATEY	Yellow	Airdrie					XX	0	0	5

Matches

Match	White			Blue	Result	Time	Code
A-1	Jaxon MOHAN	4	5	Jane PATEY	10 - 0	2:00	IPO
A-2	Linnea ANDERSON	1	2	Atticus MCALPINE	10 - 0	2:00	IPO
A-7	Khloe SNIDER	3	4	Jaxon MOHAN	10 - 0	2:00	IPO
A-13	Linnea ANDERSON	1	5	Jane PATEY	10 - 0	2:00	IPO
A-15	Atticus MCALPINE	2	3	Khloe SNIDER	0 - 10	2:00	IPO
A-19	Linnea ANDERSON	1	4	Jaxon MOHAN	10 - 0	2:00	IPO
A-25	Khloe SNIDER	3	5	Jane PATEY	10 - 0	2:00	IPO
A-26	Atticus MCALPINE	2	4	Jaxon MOHAN	10 - 0	2:00	IPO
A-31	Linnea ANDERSON	1	3	Khloe SNIDER	10 - 0	2:00	IPO
A-34	Atticus MCALPINE	2	5	Jane PATEY	10 - 0	2:00	IPO

Results

Pos	Name
1	Linnea ANDERSON, Avonhurst
2	Khloe SNIDER, Avonhurst
3	Atticus MCALPINE, Medicine Hat
4	Jaxon MOHAN, Airdrie

U12 Group 1

Competitors

#	Name	Grade	Club	1	2	3	4	Wins	Pts	Pos
1	Alexis ROTH	Yellow/Orange	Airdrie	XX		10		1	10	4
2	Lexie SOILAND	Orange	Airdrie	10	XX		10	2	20	2
3	Jackson TATLOW	Yellow	Saskatoon Y		10	XX	10	2	20	1
4	Shain Jr. SYER	Yellow/Orange	Airdrie	10			XX	1	10	3

Matches

Match	White			Blue	Result	Time	Code
A-6	Alexis ROTH	1	2	Lexie SOILAND	0 - 10	2:00	IPO
A-12	Jackson TATLOW	3	4	Shain Jr. SYER	10 - 0	0:15	IPO
A-18	Alexis ROTH	1	3	Jackson TATLOW	10 - 0	2:00	IPO
A-24	Lexie SOILAND	2	4	Shain Jr. SYER	10 - 0	1:56	WIP
A-30	Alexis ROTH	1	4	Shain Jr. SYER	0 - 10	2:00	IPO
C-5	Lexie SOILAND	2	3	Jackson TATLOW	0 - 10	1:22	IPO

Results

Pos	Name
1	Jackson TATLOW, Saskatoon Y
2	Lexie SOILAND, Airdrie
3	Shain Jr. SYER, Airdrie
4	Alexis ROTH, Airdrie

U12 Group 2

Competitors

#	Name	Grade	Club	1	2	3	4	Wins	Pts	Pos
1	Matthew SIMMS	Orange	Airdrie	XX			10	1	10	3
2	Bryn COLNEY	Yellow/Orange	Kodokwai	10	XX		10	2	20	2
3	Silvan RAESS	Yellow	Battleford	10	10	XX	10	3	30	1
4	Jonah DORNSTAUDER	Yellow	Regina Y				XX	0	0	4

Matches

Match	White	Blue	Result	Time	Code
A-4	Matthew SIMMS	1 2 Bryn COLNEY	0 - 10	0:12	IPO
A-10	Silvan RAESS	3 4 Jonah DORNSTAUDER	10 - 0	0:13	IPO
A-16	Matthew SIMMS	1 3 Silvan RAESS	0 - 10	0:34	IPO
A-22	Bryn COLNEY	2 4 Jonah DORNSTAUDER	10 - 0	0:26	WIP
A-28	Matthew SIMMS	1 4 Jonah DORNSTAUDER	10 - 0	0:44	IPO
C-3	Bryn COLNEY	2 3 Silvan RAESS	0 - 10	1:01	IPO

Results

Pos	Name
1	Silvan RAESS, Battleford
2	Bryn COLNEY, Kodokwai
3	Matthew SIMMS, Airdrie

U12 Group 3

Competitors

#	Name	Grade	Club	1	2	3	4	Wins	Pts	Pos
1	Charlotte LEONARD	Yellow	Moose Jaw	XX	10			1	10	3
2	Charlie MARCHANT	Yellow	Avonhurst		XX			0	0	4
3	Joseph VERE	Orange	Medicine Hat	10	10	XX	10	3	30	1
4	Kylee FREEMAN	Yellow	Ju No Ri	10	10		XX	2	20	2

Matches

Match	White			Blue	Result	Time	Code
A-5	Charlotte LEONARD	1	2	Charlie MARCHANT	10 - 0	2:00	IPO
A-11	Joseph VERE	3	4	Kylee FREEMAN	10 - 0	2:00	IPO
A-17	Charlotte LEONARD	1	3	Joseph VERE	0 - 10	0:10	IPO
A-23	Charlie MARCHANT	2	4	Kylee FREEMAN	0 - 10	0:26	WIP
A-29	Charlotte LEONARD	1	4	Kylee FREEMAN	0 - 10	0:08	IPO
C-4	Charlie MARCHANT	2	3	Joseph VERE	0 - 10	1:08	IPO

Results

Pos	Name
1	Joseph VERE, Medicine Hat
2	Kylee FREEMAN, Ju No Ri
3	Charlotte LEONARD, Moose Jaw

U12 Group 4

Competitors

#	Name	Grade	Club	1	2	3	Wins	Pts	Pos
1	Ezekiel ANDERSON	Yellow	Avonhurst	XX			0	0	3
2	Misha HALAKTIONOV	Green	Regina Y	10	XX	10	2	20	1
3	Andrii KHORTIV	Yellow	Tokugawa	10		XX	1	10	2

Matches

Match	White			Blue	Result	Time	Code
A-8	Ezekiel ANDERSON	1	2	Misha HALAKTIONOV	0 - 10	0:35	IPO
A-20	Ezekiel ANDERSON	1	3	Andrii KHORTIV	0 - 10	0:31	WIP
C-1	Misha HALAKTIONOV	2	3	Andrii KHORTIV	10 - 0	0:25	WIP

Results

Pos	Name
1	Misha HALAKTIONOV, Regina Y
2	Andrii KHORTIV, Tokugawa

U12 Group 5

Competitors

#	Name	Grade	Club	1	2	3	4	Wins	Pts	Pos
1	Yassine HUSSEIN	Yellow	Saskatoon Y	XX	10			1	10	3
2	Thomas NIKITOVIC	Yellow	Avonhurst		XX			0	0	4
3	Brolan MCALPINE	Orange/Green	Medicine Hat	10	10	XX		2	20	2
4	Ty STADNYK	Orange	Nakamura	10	10	10	XX	3	30	1

Matches

Match	White			Blue	Result	Time	Code
A-3	Yassine HUSSEIN	1	2	Thomas NIKITOVIC	10 - 0	1:18	IPO
A-9	Brolan MCALPINE	3	4	Ty STADNYK	0 - 10	2:00	IPO
A-14	Yassine HUSSEIN	1	3	Brolan MCALPINE	0 - 10	0:31	WIP
A-21	Thomas NIKITOVIC	2	4	Ty STADNYK	0 - 10	0:32	WIP
A-27	Yassine HUSSEIN	1	4	Ty STADNYK	0 - 10	1:20	WIP
C-2	Thomas NIKITOVIC	2	3	Brolan MCALPINE	0 - 10	1:17	IPO

Results

Pos	Name
1	Ty STADNYK, Nakamura
2	Brolan MCALPINE, Medicine Hat
3	Yassine HUSSEIN, Saskatoon Y

U14F -36kg

Competitors

#	Name	Grade	Club	1	2	3	4	Wins	Pts	Pos
1	Eileigh KINLEY	Orange	Airdrie	XX			10	1	10	3
2	Rylee SYER	Orange	Airdrie	10	XX		10	2	20	2
3	Brooklyn SEEMAN	Green	Lethbridge	10	10	XX	10	3	30	1
4	Brooklyn JOHNSON	Yellow	Medicine Hat				XX	0	0	4

Matches

Match	White			Blue	Result	Time	Code
B-4	Eileigh KINLEY	1	2	Rylee SYER	0 - 10	0:05	IPO
B-9	Brooklyn SEEMAN	3	4	Brooklyn JOHNSON	10 - 0	0:21	WIP
B-12	Eileigh KINLEY	1	3	Brooklyn SEEMAN	0 - 10	1:52	WIP
B-18	Rylee SYER	2	4	Brooklyn JOHNSON	10 - 0	3:00	IPO
B-21	Eileigh KINLEY	1	4	Brooklyn JOHNSON	10 - 0	3:00	IPO
B-27	Rylee SYER	2	3	Brooklyn SEEMAN	0 - 10	0:28	IPO

Results

Pos	Name
1	Brooklyn SEEMAN, Lethbridge
2	Rylee SYER, Airdrie
3	Eileigh KINLEY, Airdrie

U14F -44kg

Competitors

#	Name	Grade	Club	1	2	3	Wins	Pts	Pos
1	Dylan TATLOW	Yellow	Saskatoon Y	XX		10	1	10	2
2	Anna LI	Green/Blue	Regina Y	10	XX	10	2	20	1
3	Emma MOHAN	Orange	Airdrie			XX	0	0	3

Matches

Match	White			Blue	Result	Time	Code
C-9	Dylan TATLOW	1	2	Anna LI	0 - 10	2:30	IPO
C-20	Dylan TATLOW	1	3	Emma MOHAN	10 - 0	2:16	IPO
C-31	Anna LI	2	3	Emma MOHAN	10 - 0	1:01	WIP

Results

Pos	Name
1	Anna LI, Regina Y
2	Dylan TATLOW, Saskatoon Y

U14M -32kg

Competitors

#	Name	Grade	Club	1	2	1	2	1	2	Wins	Pts	Pos
1	Noah PULVERMACHER	Yellow	Control	XX	10	XX	10	XX		2	20	1
2	Toshi NEUFELD	Orange	Airdrie		XX		XX		XX	0	0	2

Matches

Match	White			Blue	Result	Time	Code
C-10	Noah PULVERMACHER	1	2	Toshi NEUFELD	10 - 0	0:50	WIP
C-21	Toshi NEUFELD	2	1	Noah PULVERMACHER	0 - 10	2:15	WIP
C-32	Noah PULVERMACHER	1	2	Toshi NEUFELD			

Results

Pos	Name
1	Noah PULVERMACHER, Control

U14M -35kg

Competitors

#	Name	Grade	Club	1	2	3	Wins	Pts	Pos
1	Grayson TAMURA	Green	Lethbridge	XX	10	10	2	20	1
2	Graydon HAZELL	Green	Lethbridge		XX	10	1	10	2
3	Blake REMPEL	Yellow	Swift Current			XX	0	0	3

Matches

Match	White			Blue	Result	Time	Code
B-8	Grayson TAMURA	1	2	Graydon HAZELL	10 - 0	2:03	WIP
B-17	Grayson TAMURA	1	3	Blake REMPEL	10 - 0	0:31	IPO
B-26	Graydon HAZELL	2	3	Blake REMPEL	10 - 0	0:13	IPO

Results

Pos	Name
1	Grayson TAMURA, Lethbridge
2	Graydon HAZELL, Lethbridge

U14M -38kg

Competitors A

#	Name	Grade	Club	1	2	3	Wins	Pts	Pos
1	Danylo SAVOSTA	Yellow/Orange	Kodokwai	XX	10	10	2	20	1
2	Cameron DAHL	Orange	Regina Y		XX	10	1	10	2
3	Eliot PERRAULT	Yellow	Swift Current			XX	0	0	3

Matches A

Match	White	Blue	Result	Time	Code
C-1	Danylo SAVOSTA 1 2	Cameron DAHL	10 - 0	0:35	IPO
C-6	Danylo SAVOSTA 1 3	Eliot PERRAULT	10 - 0	1:10	IPO
C-14	Cameron DAHL 2 3	Eliot PERRAULT	10 - 0	2:17	IPO

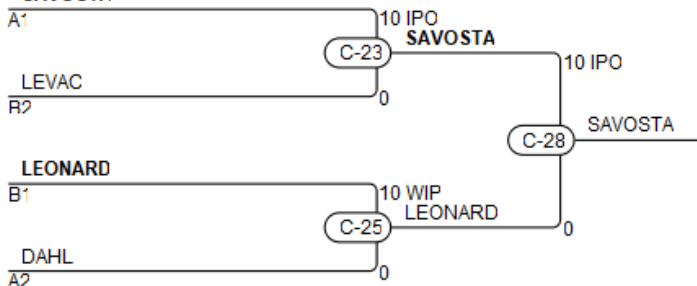
Competitors B

#	Name	Grade	Club	4	5	6	Wins	Pts	Pos
4	Logan DAHL	Orange	Regina Y	XX			0	0	3
5	Felix LEONARD	Green	Moose Jaw	10	XX	10	2	20	1
6	Elijah LEVAC	Green	St. Boniface	10		XX	1	10	2

Matches B

Match	White	Blue	Result	Time	Code
C-2	Logan DAHL 4 5	Felix LEONARD	0 - 10	0:42	IPO
C-12	Logan DAHL 4 6	Elijah LEVAC	0 - 10	2:08	IPO
C-17	Felix LEONARD 5 6	Elijah LEVAC	10 - 0	0:13	IPO

SAVOSTA



Results

Pos	Name
1	Danylo SAVOSTA, Kodokwai
2	Felix LEONARD, Moose Jaw
3	Elijah LEVAC, St. Boniface
3	Cameron DAHL, Regina Y

U14M -42kg

Competitors

#	Name	Grade	Club	1	2	1	2	1	2	Wins	Pts	Pos
1	Daniel BADRAN	Orange	Airdrie	XX		XX		XX		0	0	2
2	Benjamin Noah REYNANTE	Green	Nakamura	10	XX	10	XX		XX	2	20	1

Matches

Match	White			Blue	Result	Time	Code
C-5	Daniel BADRAN	1	2	Benjamin Noah REYNANTE	0 - 10	0:07	IPO
C-16	Benjamin Noah REYNANTE	2	1	Daniel BADRAN	10 - 0	0:05	IPO
C-27	Daniel BADRAN	1	2	Benjamin Noah REYNANTE			

Results

Pos	Name
1	Benjamin Noah REYNANTE, Nakamura

U14M -50kg

Competitors

#	Name	Grade	Club	1	2	3	Wins	Pts	Pos
1	Luka GRUJIC	Orange/Green	Medicine Hat	XX			0	0	3
2	Sam MORRISON	Green	Kodokwai	10	XX		1	10	2
3	Bennet PAMPOLINA	Green	Nakamura	10	10	XX	2	20	1

Matches

Match	White			Blue	Result	Time	Code
C-7	Luka GRUJIC	1	2	Sam MORRISON	0 - 10	0:25	WIP
C-18	Luka GRUJIC	1	3	Bennet PAMPOLINA	0 - 10	0:23	WIP
C-29	Sam MORRISON	2	3	Bennet PAMPOLINA	0 - 10	1:24	WIP

Results

Pos	Name
1	Bennet PAMPOLINA, Nakamura
2	Sam MORRISON, Kodokwai

U14M -55kg

Competitors

#	Name	Grade	Club	1	2	3	4	Wins	Pts	Pos
1	Nate SHUTKO	Orange	Airdrie	XX				0	0	4
2	Liam HETHERINGTON	Orange	Airdrie	10	XX		10	2	20	2
3	Corsin RAESS	Orange	Battleford	10	10	XX	10	3	30	1
4	Carter LEVEILLE	Green	Selkirk	10			XX	1	10	3

Matches

Match	White			Blue	Result	Time	Code
C-3	Nate SHUTKO	1	2	Liam HETHERINGTON	0 - 10	0:08	IPO
C-8	Corsin RAESS	3	4	Carter LEVEILLE	10 - 0	1:17	IPO
C-13	Nate SHUTKO	1	3	Corsin RAESS	0 - 10	0:27	IPO
C-19	Liam HETHERINGTON	2	4	Carter LEVEILLE	10 - 0	1:01	IPO
C-24	Nate SHUTKO	1	4	Carter LEVEILLE	0 - 10	0:25	IPO
C-30	Liam HETHERINGTON	2	3	Corsin RAESS	0 - 10	1:38	IPO

Results

Pos	Name
1	Corsin RAESS, Battleford
2	Liam HETHERINGTON, Airdrie
3	Carter LEVEILLE, Selkirk

U14M -60kg

Competitors

#	Name	Grade	Club	1	2	1	2	1	2	Wins	Pts	Pos
1	Talon MOEN	Orange	Swift Current	XX		XX		XX		0	0	2
2	Thomas BERNS	Orange	Avonhurst	10	XX	10	XX		XX	2	20	1

Matches

Match	White			Blue	Result	Time	Code
C-4	Talon MOEN	1	2	Thomas BERNS	0 - 10	0:46	IPO
C-15	Thomas BERNS	2	1	Talon MOEN	10 - 0	0:23	IPO
C-26	Talon MOEN	1	2	Thomas BERNS			

Results

Pos	Name
1	Thomas BERNS, Avonhurst

U14M -66kg

Competitors

#	Name	Grade	Club	1	2	1	2	1	2	Wins	Pts	Pos
1	Zachary KANASEVICH	Yellow	Vibank	XX		XX		XX		0	0	2
2	Davud ASGARZADEH	Green	Kodokwai	10	XX	10	XX		XX	2	20	1

Matches

Match	White			Blue	Result	Time	Code
C-11	Zachary KANASEVICH	1	2	Davud ASGARZADEH	0 - 10	0:20	WIP
C-22	Davud ASGARZADEH	2	1	Zachary KANASEVICH	10 - 0	0:16	WIP
C-33	Zachary KANASEVICH	1	2	Davud ASGARZADEH			

Results

Pos	Name
1	Davud ASGARZADEH, Kodokwai

MasM1 -81kg

Competitors

#	Name	Grade	Club	1	2	1	2	1	2	Wins	Pts	Pos
1	Kyle CROWELL	Shodan	St. Albert	XX	10	XX	10	XX		2	20	1
2	Stephen YOUNG	Nidan	Medicine Hat		XX		XX		XX	0	0	2

Matches

Match	White			Blue	Result	Time	Code
B-49	Kyle CROWELL	1	2	Stephen YOUNG	10 - 0	0:10	IPO
B-54	Stephen YOUNG	2	1	Kyle CROWELL	0 - 10	1:48	IPO
B-59	Kyle CROWELL	1	2	Stephen YOUNG			

Results

Pos	Name
1	Kyle CROWELL, St. Albert

MasM1 -90kg

Competitors

#	Name	Grade	Club	1	2	1	2	1	2	Wins	Pts	Pos
1	Justin WHITE	Brown	Airdrie	XX	10	XX	5	XX		2	15	1
2	Franklin MARTIN	Brown	BP Judo club		XX		XX		XX	0	0	2

Matches

Match	White			Blue	Result	Time	Code
C-51	Justin WHITE	1	2	Franklin MARTIN	10 - 0	1:37	IPO
C-56	Franklin MARTIN	2	1	Justin WHITE	0 - 5	4:05	GSW
C-61	Justin WHITE	1	2	Franklin MARTIN			

Results

Pos	Name
1	Justin WHITE, Airdrie

MasM1 +100kg

Competitors

#	Name	Grade	Club	1	2	3	Wins	Pts	Pos
1	Mark KERR	Brown	Medicine Hat	XX			0	0	3
2	Richard TURNER	Blue	Ishi Yama	5	XX		1	5	2
3	Brent THOMPSON	Sandan	Nakamura	5	5	XX	2	10	1

Matches

Match	White			Blue	Result	Time	Code
A-45	Mark KERR	1	2	Richard TURNER	0 - 5	3:00	WAZ
A-51	Mark KERR	1	3	Brent THOMPSON	0 - 5	3:00	WAZ
A-59	Richard TURNER	2	3	Brent THOMPSON	0 - 5	4:42	GSW

Results

Pos	Name
1	Brent THOMPSON, Nakamura
2	Richard TURNER, Ishi Yama

MasM2 -73kg

Competitors

#	Name	Grade	Club	1	2	1	2	1	2	Wins	Pts	Pos
1	Kyle O'BRIEN	Brown	Lethbridge	XX		XX	10	XX	10	2	20	1
2	Justin Paul CASAVANT	Yondan	Keisatsu	10	XX		XX		XX	1	10	2

Matches

Match	White			Blue	Result	Time	Code
B-48	Kyle O'BRIEN	1	2	Justin Paul CASAVANT	0 - 10	1:19	IPO
B-53	Justin Paul CASAVANT	2	1	Kyle O'BRIEN	0 - 10	2:32	WIP
B-58	Kyle O'BRIEN	1	2	Justin Paul CASAVANT	10 - 0	0:20	IPO

Results

Pos	Name
1	Kyle O'BRIEN, Lethbridge
2	Justin Paul CASAVANT, Keisatsu

MasM2 -81kg

Competitors

#	Name	Grade	Club	1	2	1	2	1	2	Wins	Pts	Pos
1	Michael YEE	Brown	Regina Y	XX	10	XX	10	XX		2	20	1
2	Dave JOOKHUU	Green	Ishi Yama		XX		XX		XX	0	0	2

Matches

Match	White			Blue	Result	Time	Code
B-50	Michael YEE	1	2	Dave JOOKHUU	10 - 0	2:12	IPO
B-55	Dave JOOKHUU	2	1	Michael YEE	0 - 10	1:42	IPO
B-60	Michael YEE	1	2	Dave JOOKHUU			

Results

Pos	Name
1	Michael YEE, Regina Y

MasM2 -100kg

Competitors

#	Name	Grade	Club	1	2	1	2	1	2	Wins	Pts	Pos
1	Eric PAXMAN	Orange	Lethbridge	XX		XX		XX		0	0	2
2	Robin KURPJUWEIT	Shodan	Medicine Hat	10	XX	10	XX		XX	2	20	1

Matches

Match	White			Blue	Result	Time	Code
C-50	Eric PAXMAN	1	2	Robin KURPJUWEIT	0 - 10	0:34	WIP
C-55	Robin KURPJUWEIT	2	1	Eric PAXMAN	10 - 0	1:34	IPO
C-60	Eric PAXMAN	1	2	Robin KURPJUWEIT			

Results

Pos	Name
1	Robin KURPJUWEIT, Medicine Hat

MasM3 -66kg

Competitors

#	Name	Grade	Club	1	2	1	2	1	2	Wins	Pts	Pos
1	Mikhail URITSKY	Sandan	Kodokwai	XX		XX		XX		0	0	2
2	Tim TAKAHASHI	Sandan	Lethbridge	5	XX	10	XX		XX	2	15	1

Matches

Match	White			Blue	Result	Time	Code
A-46	Mikhail URITSKY	1	2	Tim TAKAHASHI	0 - 5	3:00	WAZ
A-54	Tim TAKAHASHI	2	1	Mikhail URITSKY	10 - 0	1:39	IPO
A-60	Mikhail URITSKY	1	2	Tim TAKAHASHI			

Results

Pos	Name
1	Tim TAKAHASHI, Lethbridge

U18F -48kg

Competitors

#	Name	Grade	Club	1	2	3	4	Wins	Pts	Pos
1	Addyson TAMURA	Brown	Lethbridge	XX	10	10	10	3	30	1
2	Elizabeth SANIKIDZE	Blue	Kodokwai		XX	10	10	2	20	2
3	Beth PENNER	Blue	Selkirk			XX		0	0	4
4	Nicol MESONGNIK	Blue	Nakamura			5	XX	1	5	3

Matches

Match	White		Blue	Result	Time	Code
A-16	Addyson TAMURA	1	2 Elizabeth SANIKIDZE	10 - 0	1:17	IPO
A-19	Beth PENNER	3	4 Nicol MESONGNIK	0 - 5	4:00	WAZ
A-25	Addyson TAMURA	1	3 Beth PENNER	10 - 0	1:07	WIP
A-26	Elizabeth SANIKIDZE	2	4 Nicol MESONGNIK	10 - 0	2:00	HAN
A-33	Addyson TAMURA	1	4 Nicol MESONGNIK	10 - 0	2:44	WIP
A-34	Elizabeth SANIKIDZE	2	3 Beth PENNER	10 - 0	2:23	IPO

Results

Pos	Name
1	Addyson TAMURA, Lethbridge
2	Elizabeth SANIKIDZE, Kodokwai
3	Nicol MESONGNIK, Nakamura

U18F -52kg

Competitors A

#	Name	Grade	Club	1	2	3	4	Wins	Pts	Pos
1	Braelyn THOMPSON	Blue	Kodokwai	XX		10		1	10	3
2	Leann HUANG	Shodan	Regina Y	10	XX	10	5	3	25	1
3	Kiandra CHRIST-BONNELL	Brown	Nakamura			XX		0	0	4
4	Isla DIESMOS	Brown	Hiro's	10	10	XX		2	20	2

Matches A

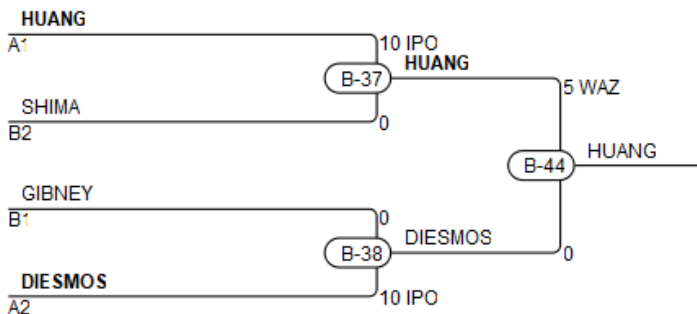
Match	White	Blue	Result	Time	Code
B-10	Braelyn THOMPSON 1 2	Leann HUANG	0 - 10	0:32	IPO
B-11	Kiandra CHRIST-BONNELL 3 4	Isla DIESMOS	0 - 10	0:50	IPO
B-18	Braelyn THOMPSON 1 3	Kiandra CHRIST-BONNELL	10 - 0	2:42	HAN
B-19	Leann HUANG 2 4	Isla DIESMOS	5 - 0	4:00	WAZ
B-27	Braelyn THOMPSON 1 4	Isla DIESMOS	0 - 10	0:09	IPO
B-28	Leann HUANG 2 3	Kiandra CHRIST-BONNELL	10 - 0	1:20	WIP

Competitors B

#	Name	Grade	Club	5	6	7	Wins	Pts	Pos
5	Kaya LEVEILLE	Blue	Selkirk	XX			0	0	3
6	Avery GIBNEY	Brown	Moose Jaw	10	XX	10	2	20	1
7	Aida Miko SHIMA	Brown	Kodokwai	10		XX	1	10	2

Matches B

Match	White	Blue	Result	Time	Code
B-12	Kaya LEVEILLE 5 6	Avery GIBNEY	0 - 10	0:06	IPO
B-20	Kaya LEVEILLE 5 7	Aida Miko SHIMA	0 - 10	1:37	WIP
B-29	Avery GIBNEY 6 7	Aida Miko SHIMA	10 - 0	0:58	IPO



Results

Pos	Name
1	Leann HUANG, Regina Y
2	Isla DIESMOS, Hiro's
3	Aida Miko SHIMA, Kodokwai
3	Avery GIBNEY, Moose Jaw

U18F -57kg

Competitors A

#	Name	Grade	Club	1	2	3	4	Wins	Pts	Pos
1	Maya KUNADZE	Brown	Kokushikai	XX				0	0	4
2	Kolbi FENRICK	Brown	Moose Jaw	10	XX	10		2	20	2
3	Lia HINCHEY	Blue	Shiroumakai	10		XX		1	10	3
4	Mirja HAFNER	Brown	Abbotsford	10	10	10	XX	3	30	1

Matches A

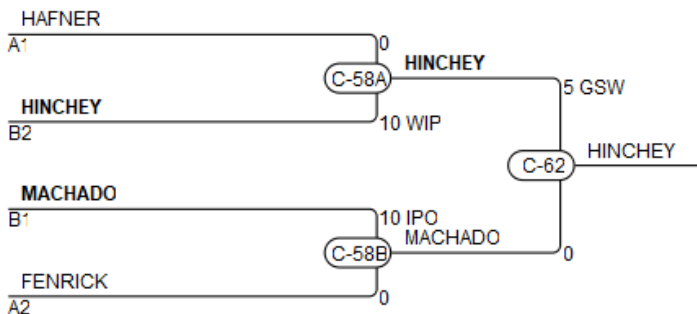
Match	White	Blue	Result	Time	Code
C-7	Maya KUNADZE 1 2	Kolbi FENRICK	0 - 10	3:01	IPO
C-10	Lia HINCHEY 3 4	Mirja HAFNER	0 - 10	0:48	IPO
C-20	Maya KUNADZE 1 3	Lia HINCHEY	0 - 10	2:06	IPO
C-21	Kolbi FENRICK 2 4	Mirja HAFNER	0 - 10	3:51	IPO
C-29	Maya KUNADZE 1 4	Mirja HAFNER	0 - 10	1:07	IPO
C-30	Kolbi FENRICK 2 3	Lia HINCHEY	10 - 0	0:46	IPO

Competitors B

#	Name	Grade	Club	5	6	7	Wins	Pts	Pos
5	Sahara KAIP	Blue	Avonhurst	XX			0	0	3
6	Amaya MACHADO	Brown	Nakamura	10	XX	10	2	20	1
7	Jaymi HINCHEY	Blue	Shiroumakai	10		XX	1	10	2

Matches B

Match	White	Blue	Result	Time	Code
C-11	Sahara KAIP 5 6	Amaya MACHADO	0 - 10	1:55	IPO
C-22	Sahara KAIP 5 7	Jaymi HINCHEY	0 - 10	0:46	IPO
C-31	Amaya MACHADO 6 7	Jaymi HINCHEY	10 - 0	1:34	IPO



Results

Pos	Name
1	Jaymi HINCHEY, Shiroumakai
2	Amaya MACHADO, Nakamura
3	Mirja HAFNER, Abbotsford
3	Kolbi FENRICK, Moose Jaw

U18F -57kg -Tie

Competitors

#	Name	Grade	Club	1	2	3	Wins	Pts	Pos
1	Kolbi FENRICK	Brown	Moose Jaw	XX		10	1	10	2
2	Mirja HAFNER	Brown	Abbotsford	10	XX	10	2	20	1
3	Lia HINCHEY	Blue	Shiroumakai			XX	0	0	3

Matches

Match	White			Blue	Result	Time	Code
C-42A	Kolbi FENRICK	1	2	Mirja HAFNER	0 - 10	3:07	GSI
C-49A	Kolbi FENRICK	1	3	Lia HINCHEY	10 - 0	2:13	IPO
C-55A	Mirja HAFNER	2	3	Lia HINCHEY	10 - 0	0:28	GSI

Results

Pos	Name
1	Mirja HAFNER, Abbotsford
2	Kolbi FENRICK, Moose Jaw

U18F -63kg

Competitors A

#	Name	Grade	Club	1	2	3	4	Wins	Pts	Pos
1	Brecklyn VEALE	Brown	Lethbridge	XX	10	10	10	3	30	1
2	Kayla JOHNSON	Brown	Tokugawa		XX	10	10	2	20	2
3	Annika MICHALUK	Blue	Pacific Kodokan JoJo			XX		0	0	4
4	Leah MCLEAN	Green	Shiroumakai			10	XX	1	10	3

Matches A

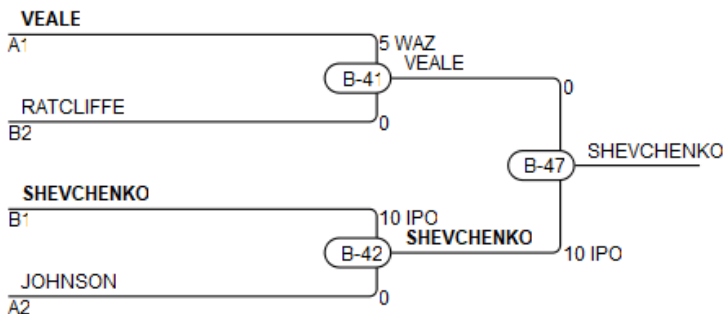
Match	White	Blue	Result	Time	Code
B-5	Brecklyn VEALE 1 2	Kayla JOHNSON	10 - 0	5:21	HAN
B-6	Annika MICHALUK 3 4	Leah MCLEAN	0 - 10	2:50	WIP
B-22	Brecklyn VEALE 1 3	Annika MICHALUK	10 - 0	1:53	WIP
B-23	Kayla JOHNSON 2 4	Leah MCLEAN	10 - 0	0:32	WIP
B-32	Brecklyn VEALE 1 4	Leah MCLEAN	10 - 0	0:15	IPO
B-33	Kayla JOHNSON 2 3	Annika MICHALUK	10 - 0	0:36	WIP

Competitors B

#	Name	Grade	Club	5	6	7	Wins	Pts	Pos
5	Sophia SHEVCHENKO	Blue	Champion	XX	10	10	2	20	1
6	McKenna STEWART	Blue	Selkirk		XX		0	0	3
7	Angeline RATCLIFFE	Brown	Kodokwai		10	XX	1	10	2

Matches B

Match	White	Blue	Result	Time	Code
B-15	Sophia SHEVCHENKO 5 6	McKenna STEWART	10 - 0	0:44	IPO
B-24	Sophia SHEVCHENKO 5 7	Angeline RATCLIFFE	10 - 0	1:11	IPO
B-34	McKenna STEWART 6 7	Angeline RATCLIFFE	0 - 10	0:57	IPO



Results

Pos	Name
1	Sophia SHEVCHENKO, Champion
2	Brecklyn VEALE, Lethbridge
3	Angeline RATCLIFFE, Kodokwai
3	Kayla JOHNSON, Tokugawa

U18F -70kg

Competitors

#	Name	Grade	Club	1	2	3	4	Wins	Pts	Pos
1	Emiliya ALIYEVA	Blue	Hiro's	XX		10		1	10	3
2	Elizabeth COSSITT	Brown	Kodokwai	10	XX	10		2	20	2
3	Kaylee FORTIER	Green	Shiroumakai			XX		0	0	4
4	Nova ROTBART	Brown	Abbotsford	10	10	10	XX	3	30	1

Matches

Match	White			Blue	Result	Time	Code
A-1	Emiliya ALIYEVA	1	2	Elizabeth COSSITT	0 - 10	0:38	IPO
A-2	Kaylee FORTIER	3	4	Nova ROTBART	0 - 10	0:35	IPO
A-20	Emiliya ALIYEVA	1	3	Kaylee FORTIER	10 - 0	0:10	IPO
A-21	Elizabeth COSSITT	2	4	Nova ROTBART	0 - 10	2:18	HAN
A-27	Emiliya ALIYEVA	1	4	Nova ROTBART	0 - 10	1:37	IPO
A-28	Elizabeth COSSITT	2	3	Kaylee FORTIER	10 - 0	0:45	IPO

Results

Pos	Name
1	Nova ROTBART, Abbotsford
2	Elizabeth COSSITT, Kodokwai
3	Emiliya ALIYEVA, Hiro's

U18M -55kg

Competitors A

#	Name	Grade	Club	1	2	3	Wins	Pts	Pos
1	Dar METRIK	Blue	Nakamura	XX	10	5	2	15	1
2	Jack MCALPINE	Brown	Medicine Hat		XX		0	0	3
3	Grayson HOLLIDAY	Brown	Prince George		10	XX	1	10	2

Matches A

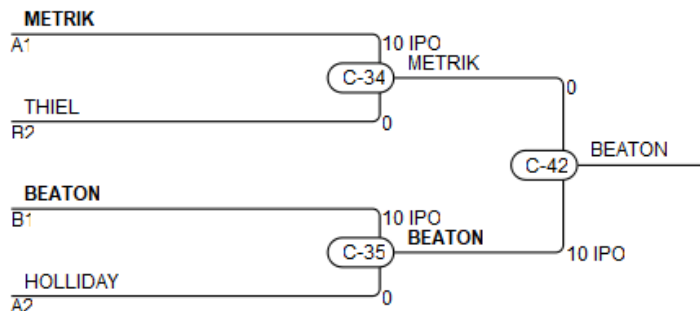
Match	White	Blue	Result	Time	Code
C-4	Dar METRIK 1 2	Jack MCALPINE	10 - 0	0:17	IPO
C-16	Dar METRIK 1 3	Grayson HOLLIDAY	5 - 0	4:22	GSW
C-25	Jack MCALPINE 2 3	Grayson HOLLIDAY	0 - 10	5:45	HAN

Competitors B

#	Name	Grade	Club	4	5	6	Wins	Pts	Pos
4	Nathan THIEL	Brown	Abbotsford	XX	10		1	10	2
5	Jacob Xavier REYNANTE	Blue	Nakamura		XX		0	0	3
6	Loic BEATON	Brown	Lethbridge	10	10	XX	2	20	1

Matches B

Match	White	Blue	Result	Time	Code
C-3	Nathan THIEL 4 5	Jacob Xavier REYNANTE	10 - 0	1:10	IPO
C-17	Nathan THIEL 4 6	Loic BEATON	0 - 10	0:40	IPO
C-26	Jacob Xavier REYNANTE 5 6	Loic BEATON	0 - 10	1:20	IPO

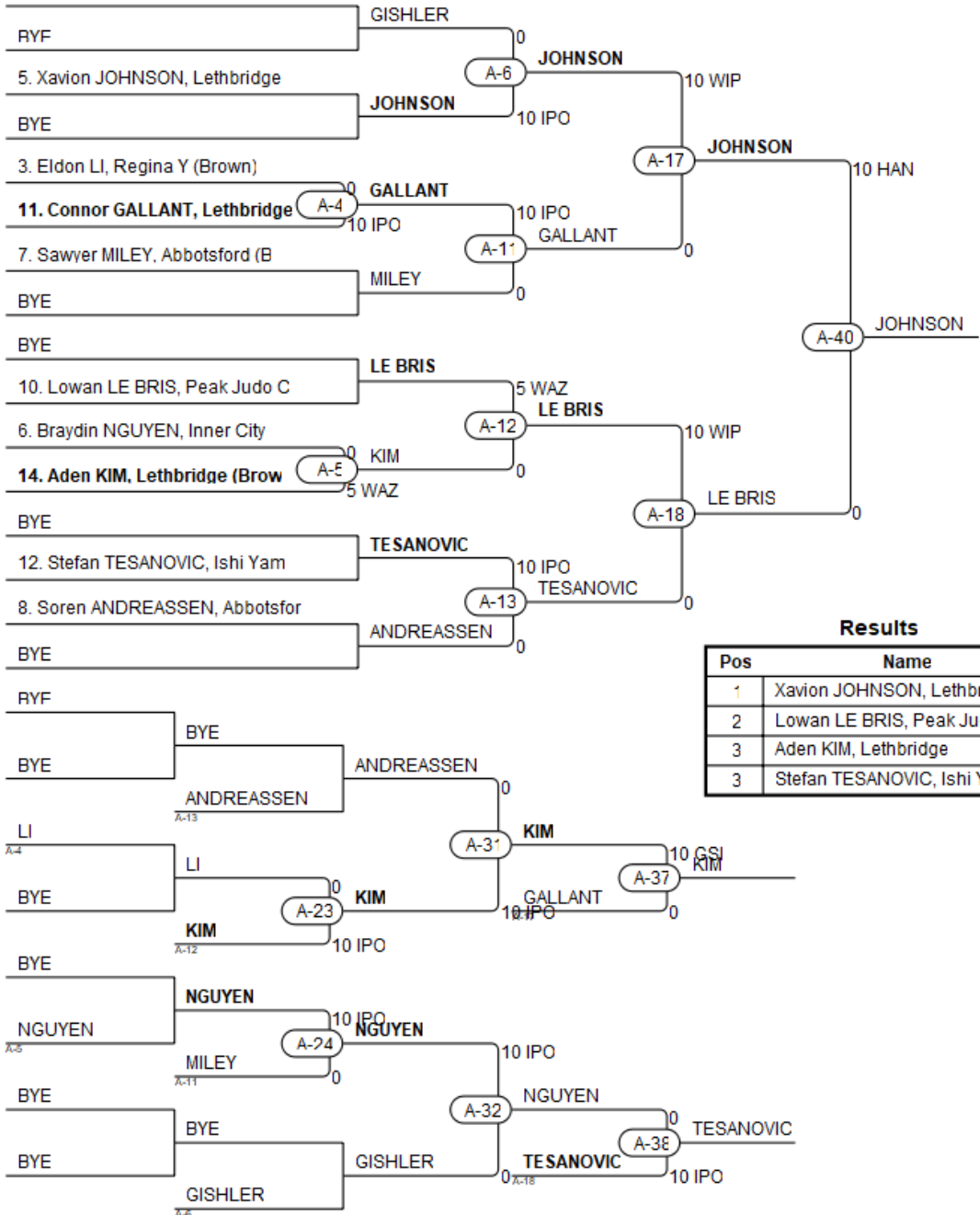


Results

Pos	Name
1	Loic BEATON, Lethbridge
2	Dar METRIK, Nakamura
3	Nathan THIEL, Abbotsford
3	Grayson HOLLIDAY, Prince George

U18M -60kg

1. Liam GISHLER, Shiroumakai (

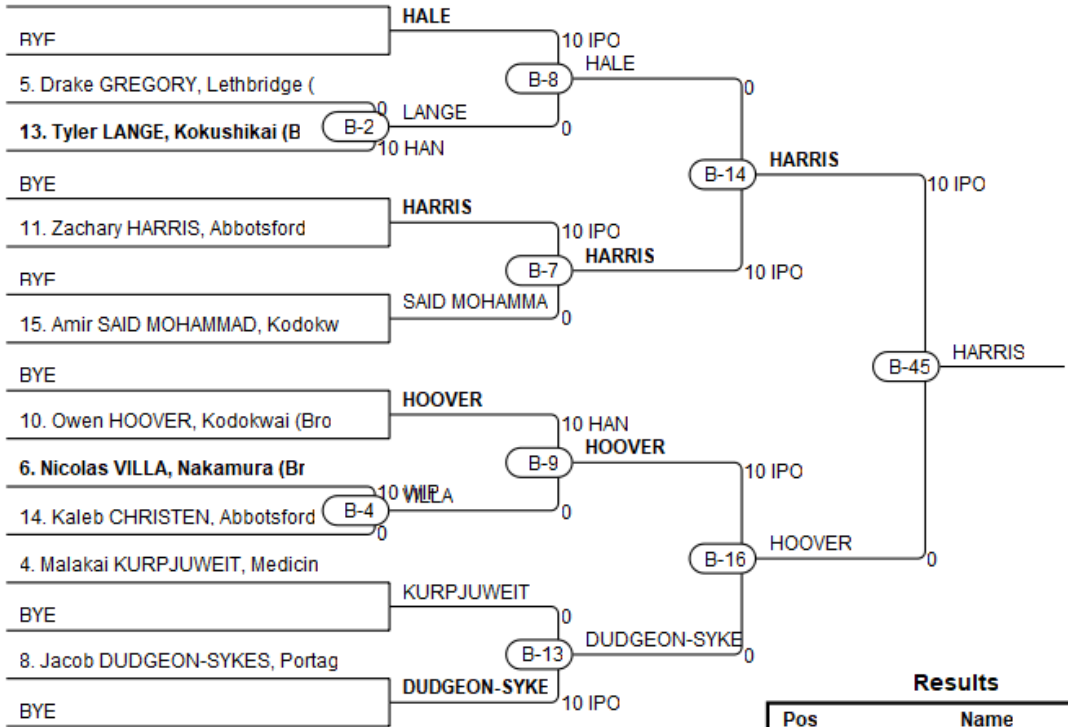


Results

Pos	Name
1	Xavion JOHNSON, Lethbridge
2	Lowan LE BRIS, Peak Judo C
3	Aden KIM, Lethbridge
3	Stefan TESANOVIC, Ishi Yam

U18M -73kg

1. Jaxon HALE, Nakamura (Green)



Results

Pos	Name
1	Zachary HARRIS, Abbotsford
2	Owen HOOVER, Kodokwai
3	Nicolas VILLA, Nakamura
3	Kaleb CHRISTEN, Abbotsford

U18M -81kg

Competitors

#	Name	Grade	Club	1	2	3	4	5	Wins	Pts	Pos
1	Daniel EKOSKY	Brown	Selkirk	XX	10	10	10	10	4	40	1
2	Tennyson VERWEY	Green	Portage		XX	10			1	10	3
3	Nicholas HASLETT	Brown	Shimpokai			XX		10	1	10	5
4	Habib SAID MOHAMMAD	Brown	Kodokwai		10	10	XX	10	3	30	2
5	Munkhu BATBAYAR	Brown	Lethbridge		10			XX	1	10	4

Matches

Match	White			Blue	Result	Time	Code
B-1	Habib SAID MOHAMMAD	4	5	Munkhu BATBAYAR	10 - 0	3:22	WIP
B-3	Daniel EKOSKY	1	2	Tennyson VERWEY	10 - 0	0:16	IPO
B-17	Nicholas HASLETT	3	4	Habib SAID MOHAMMAD	0 - 10	0:45	IPO
B-15A	Daniel EKOSKY	1	5	Munkhu BATBAYAR	10 - 0	1:09	IPO
B-25	Tennyson VERWEY	2	3	Nicholas HASLETT	10 - 0	2:16	WIP
B-26	Daniel EKOSKY	1	4	Habib SAID MOHAMMAD	10 - 0	0:53	IPO
B-35	Nicholas HASLETT	3	5	Munkhu BATBAYAR	10 - 0	6:33	GSI
B-36	Tennyson VERWEY	2	4	Habib SAID MOHAMMAD	0 - 10	2:43	IPO
B-42A	Daniel EKOSKY	1	3	Nicholas HASLETT	10 - 0	0:15	IPO
B-41A	Tennyson VERWEY	2	5	Munkhu BATBAYAR	0 - 10	3:09	IPO

Results

Pos	Name
1	Daniel EKOSKY, Selkirk
2	Habib SAID MOHAMMAD, Kodokwai
3	Tennyson VERWEY, Portage
3	Munkhu BATBAYAR, Lethbridge
3	Nicholas HASLETT, Shimpokai

U18M -90kg

Competitors

#	Name	Grade	Club	1	2	1	2	1	2	Wins	Pts	Pos
1	Roman KHORTIV	Blue	Tokugawa	XX	10	XX	10	XX		2	20	1
2	Calvin SCHINDLER	Green	Kodokwai		XX		XX		XX	0	0	2

Matches

Match	White			Blue	Result	Time	Code
C-15	Roman KHORTIV	1	2	Calvin SCHINDLER	10 - 0	0:30	IPO
C-24	Calvin SCHINDLER	2	1	Roman KHORTIV	0 - 10	0:09	IPO
C-33	Roman KHORTIV	1	2	Calvin SCHINDLER			

Results

Pos	Name
1	Roman KHORTIV, Tokugawa

U18M +90kg

Competitors

#	Name	Grade	Club	1	2	1	2	1	2	Wins	Pts	Pos
1	Cai JAMES	Green	Balmoral	XX	10	XX	10	XX		2	20	1
2	Dalin KYMANICK	Green	Selkirk		XX		XX		XX	0	0	2

Matches

Match	White			Blue	Result	Time	Code
C-12	Cai JAMES	1	2	Dalin KYMANICK	10 - 0	0:47	IPO
C-23	Dalin KYMANICK	2	1	Cai JAMES	0 - 10	0:35	IPO
C-32	Cai JAMES	1	2	Dalin KYMANICK			

Results

Pos	Name
1	Cai JAMES, Balmoral

U21F -63kg

Competitors

#	Name	Grade	Club	1	2	3	4	5	Wins	Pts	Pos
1	Olivia KRYNSKI	Brown	Portage	XX		10		10	2	20	3
2	Brooklyn FRANSON	Brown	Saskatoon Y	10	XX	10		10	3	30	2
3	Alexis DAHL	Brown	Regina Y			XX		10	1	10	4
4	Sarah EKOSKY	Shodan	Selkirk	10	10	10	XX	10	4	40	1
5	Rebecca VILLA	Brown	Nakamura					XX	0	0	5

Matches

Match	White			Blue	Result	Time	Code
C-38	Sarah EKOSKY	4	5	Rebecca VILLA	10 - 0	0:00	KIK
C-39	Olivia KRYNSKI	1	2	Brooklyn FRANSON	0 - 10	1:25	IPO
C-43	Alexis DAHL	3	4	Sarah EKOSKY	0 - 10	0:13	IPO
C-44	Olivia KRYNSKI	1	5	Rebecca VILLA	10 - 0	0:00	KIK
C-48	Brooklyn FRANSON	2	3	Alexis DAHL	10 - 0	0:48	IPO
C-49	Olivia KRYNSKI	1	4	Sarah EKOSKY	0 - 10	1:02	WIP
C-53	Alexis DAHL	3	5	Rebecca VILLA	10 - 0	0:00	KIK
C-54	Brooklyn FRANSON	2	4	Sarah EKOSKY	0 - 10	0:21	IPO
C-58	Olivia KRYNSKI	1	3	Alexis DAHL	10 - 0	0:06	IPO
C-59	Brooklyn FRANSON	2	5	Rebecca VILLA	10 - 0	0:00	KIK

Results

Pos	Name
1	Sarah EKOSKY, Selkirk
2	Brooklyn FRANSON, Saskatoon Y
3	Olivia KRYNSKI, Portage
4	Alexis DAHL, Regina Y

U21F +78kg

Competitors

#	Name	Grade	Club	1	2	1	2	1	2	Wins	Pts	Pos
1	Avery MCGARRY	Brown	Lloydminster	XX		XX		XX		0	0	2
2	Jannessa KEAYS	Brown	Saskatoon Y	10	XX	10	XX		XX	2	20	1

Matches

Match	White			Blue	Result	Time	Code
B-51	Avery MCGARRY	1	2	Jannessa KEAYS	0 - 10	0:13	IPO
B-56	Jannessa KEAYS	2	1	Avery MCGARRY	10 - 0	1:10	IPO
B-61	Avery MCGARRY	1	2	Jannessa KEAYS			

Results

Pos	Name
1	Jannessa KEAYS, Saskatoon Y

U21M -60kg

Competitors

#	Name	Grade	Club	1	2	3	4	Wins	Pts	Pos
1	Iain WALSH	Brown	Kokushikai	XX				0	0	4
2	Eli GRANT	Shodan	Kokushikai	10	XX			1	10	3
3	Tayven TREMBLAY	Shodan	St. Albert	10	10	XX		2	20	2
4	Raphael GAANAN	Shodan	Peak Judo Club	10	10	10	XX	3	30	1

Matches

Match	White			Blue	Result	Time	Code
A-43	Iain WALSH	1	2	Eli GRANT	0 - 10	0:35	IPO
A-44	Tayven TREMBLAY	3	4	Raphael GAANAN	0 - 10	0:36	IPO
A-49	Iain WALSH	1	3	Tayven TREMBLAY	0 - 10	0:08	IPO
A-50	Eli GRANT	2	4	Raphael GAANAN	0 - 10	0:38	IPO
A-55	Iain WALSH	1	4	Raphael GAANAN	0 - 10	0:17	IPO
A-56	Eli GRANT	2	3	Tayven TREMBLAY	0 - 10	0:14	IPO

Results

Pos	Name
1	Raphael GAANAN, Peak Judo Club
2	Tayven TREMBLAY, St. Albert
3	Eli GRANT, Kokushikai

U21M -66kg

Competitors

#	Name	Grade	Club	1	2	3	Wins	Pts	Pos
1	Ashton DEBRUYNE	Brown	Regina Y	XX			0	0	3
2	Cole PRIESTMAN	Brown	Peak Judo Club	10	XX		1	10	2
3	Troy GALLANT	Shodan	Lethbridge	10	10	XX	2	20	1

Matches

Match	White			Blue	Result	Time	Code
C-47	Ashton DEBRUYNE	1	2	Cole PRIESTMAN	0 - 10	2:26	IPO
C-51A	Ashton DEBRUYNE	1	3	Troy GALLANT	0 - 10	1:33	IPO
C-57	Cole PRIESTMAN	2	3	Troy GALLANT	0 - 10	1:41	IPO

Results

Pos	Name
1	Troy GALLANT, Lethbridge
2	Cole PRIESTMAN, Peak Judo Club

U21M -73kg

Competitors A

#	Name	Grade	Club	1	2	3	Wins	Pts	Pos
1	Olivier GAGNON	Shodan	Jonquière	XX	10	10	2	20	1
2	Francesco GIANGREGORIO	Brown	Lethbridge		XX		0	0	3
3	Riley STANG	Blue	Saskatoon Y		10	XX	1	10	2

Matches A

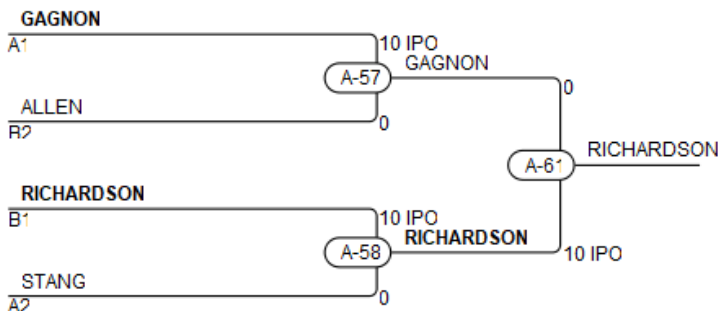
Match	White	Blue	Result	Time	Code
A-41	Olivier GAGNON	1 2 Francesco GIANGREGORIO	10 - 0	0:10	IPO
A-47	Olivier GAGNON	1 3 Riley STANG	10 - 0	0:32	IPO
A-52	Francesco GIANGREGORIO	2 3 Riley STANG	0 - 10	1:00	IPO

Competitors B

#	Name	Grade	Club	4	5	6	Wins	Pts	Pos
4	Philip ALLEN	Brown	Lethbridge	XX	10		1	10	2
5	Charlie LAUNDER	Brown	Keisatsu		XX		0	0	3
6	Kai RICHARDSON	Shodan	Williams Lake	10	10	XX	2	20	1

Matches B

Match	White	Blue	Result	Time	Code
A-42	Philip ALLEN	4 5 Charlie LAUNDER	10 - 0	1:35	IPO
A-48	Philip ALLEN	4 6 Kai RICHARDSON	0 - 10	1:02	WIP
A-53	Charlie LAUNDER	5 6 Kai RICHARDSON	0 - 10	0:31	WIP



Results

Pos	Name
1	Kai RICHARDSON, Williams Lake
2	Olivier GAGNON, Jonquière
3	Philip ALLEN, Lethbridge
3	Riley STANG, Saskatoon Y

U21M -81kg

Competitors

#	Name	Grade	Club	1	2	1	2	1	2	Wins	Pts	Pos
1	Mathias PERRON	Brown	Shidokan	XX		XX		XX		0	0	2
2	Carter ALTHOUSE	Shodan	Lethbridge	10	XX	10	XX		XX	2	20	1

Matches

Match	White			Blue	Result	Time	Code
B-46	Mathias PERRON	1	2	Carter ALTHOUSE	0 - 10	2:50	IPO
B-52	Carter ALTHOUSE	2	1	Mathias PERRON	10 - 0	3:58	IPO
B-57	Mathias PERRON	1	2	Carter ALTHOUSE			

Results

Pos	Name
1	Carter ALTHOUSE, Lethbridge