

Competitors A

#	Name	Grade	Club	1	2	3	Wins	Pts	Pos
1	Jackie BROWN	O/G	Airdrie Eidokan	XX	10	10	2	20	1
2	Kami IWAASA	G	Lethbridge Kyodokan		XX		0	0	3
3	Jenna KO	G	Burnaby		10	XX	1	10	2

Matches A

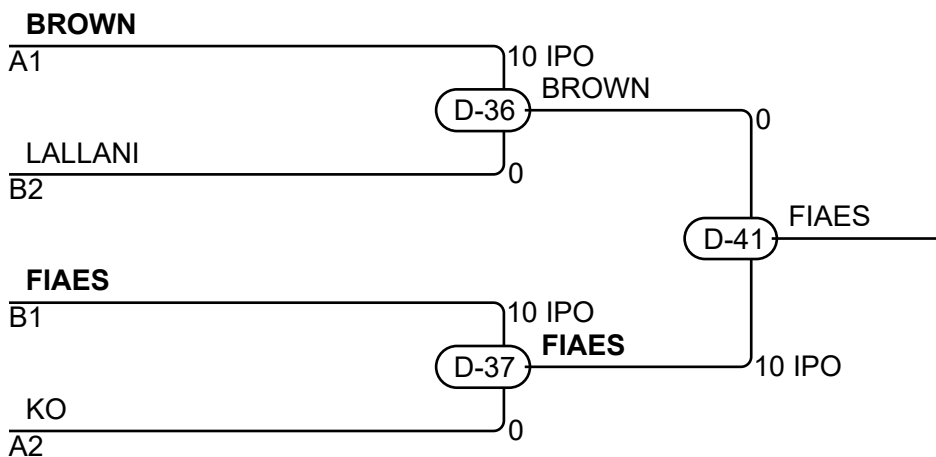
Match	White	Blue	Result	Time	Code
D-7	Jackie BROWN	Kami IWAASA	10 - 0	1:10	WIP
D-16	Jackie BROWN	Jenna KO	10 - 0	2:46	IPO
D-26	Kami IWAASA	Jenna KO	0 - 10	0:44	IPO

Competitors B

#	Name	Grade	Club	4	5	6	Wins	Pts	Pos
4	Lana COLLANTES	Y	Hiro's	XX			0	0	3
5	Sofia LALLANI	O/G	Airdrie Eidokan	10	XX		1	10	2
6	Alexia FIAES	O	Tora Judo Club	10	10	XX	2	20	1

Matches B

Match	White	Blue	Result	Time	Code
D-8	Lana COLLANTES	Sofia LALLANI	0 - 10	1:44	HAN
D-17	Lana COLLANTES	Alexia FIAES	0 - 10	0:12	IPO
D-27	Sofia LALLANI	Alexia FIAES	0 - 10	0:42	IPO



Results

Pos	Name
1	Alexia FIAES, Tora Judo Club
2	Jackie BROWN, Airdrie Eidokan
3	Sofia LALLANI, Airdrie Eidokan
3	Jenna KO, Burnaby

2019 Edmonton International

U14F -36 kg

Competitors: 7

Competitors A

#	Name	Grade	Club	1	2	3	4	Wins	Pts	Pos
1	Elizabeth COSSITT	O	Kodokwai	XX		10	5	2	15	2
2	Carla VAN ZYL	O	Hart	10	XX	10	10	3	30	1
3	Casey RAINBOW	O/G	Invermere			XX		0	0	4
4	Kiandra CHRIST-BONNELL	G	Nakamura			10	XX	1	10	3

Matches A

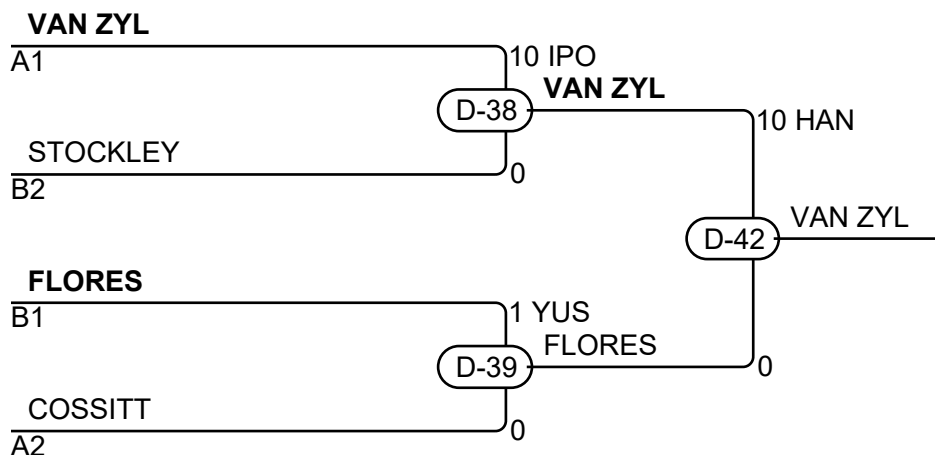
Match	White	Blue	Result	Time	Code
D-9	Elizabeth COSSITT	1 2 Carla VAN ZYL	0 - 10	1:48	WIP
D-10	Casey RAINBOW	3 4 Kiandra CHRIST-BONNELL	0 - 10	0:01	IPO
D-18	Elizabeth COSSITT	1 3 Casey RAINBOW	10 - 0	1:21	IPO
D-19	Carla VAN ZYL	2 4 Kiandra CHRIST-BONNELL	10 - 0	3:00	IPO
D-28	Elizabeth COSSITT	1 4 Kiandra CHRIST-BONNELL	5 - 0	3:00	WAZ
D-29	Carla VAN ZYL	2 3 Casey RAINBOW	10 - 0	1:15	WIP

Competitors B

#	Name	Grade	Club	5	6	7	Wins	Pts	Pos
5	Alexandrea FLORES	G	Tora Judo Club	XX	10	10	2	20	1
6	Braelyn THOMPSON	O	Kodokwai		XX		0	0	3
7	Claire STOCKLEY	Y	Invermere		10	XX	1	10	2

Matches B

Match	White	Blue	Result	Time	Code
D-11	Alexandrea FLORES	5 6 Braelyn THOMPSON	10 - 0	0:31	IPO
D-20	Alexandrea FLORES	5 7 Claire STOCKLEY	10 - 0	0:30	WIP
D-30	Braelyn THOMPSON	6 7 Claire STOCKLEY	0 - 10	2:21	HAN



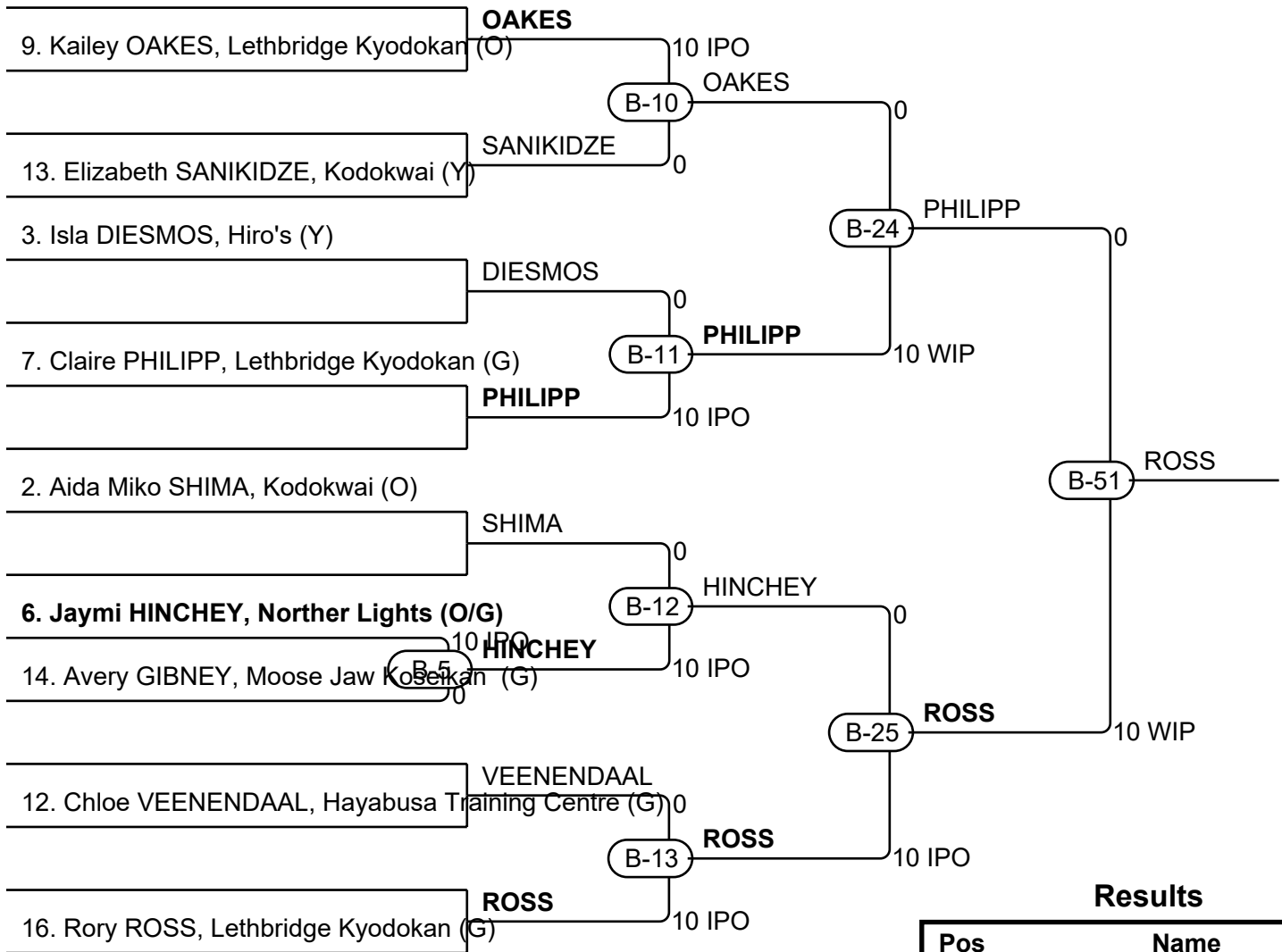
Results

Pos	Name
1	Carla VAN ZYL, Hart
2	Alexandrea FLORES, Tora Judo Club
3	Claire STOCKLEY, Invermere
3	Elizabeth COSSITT, Kodokwai

2019 Edmonton International

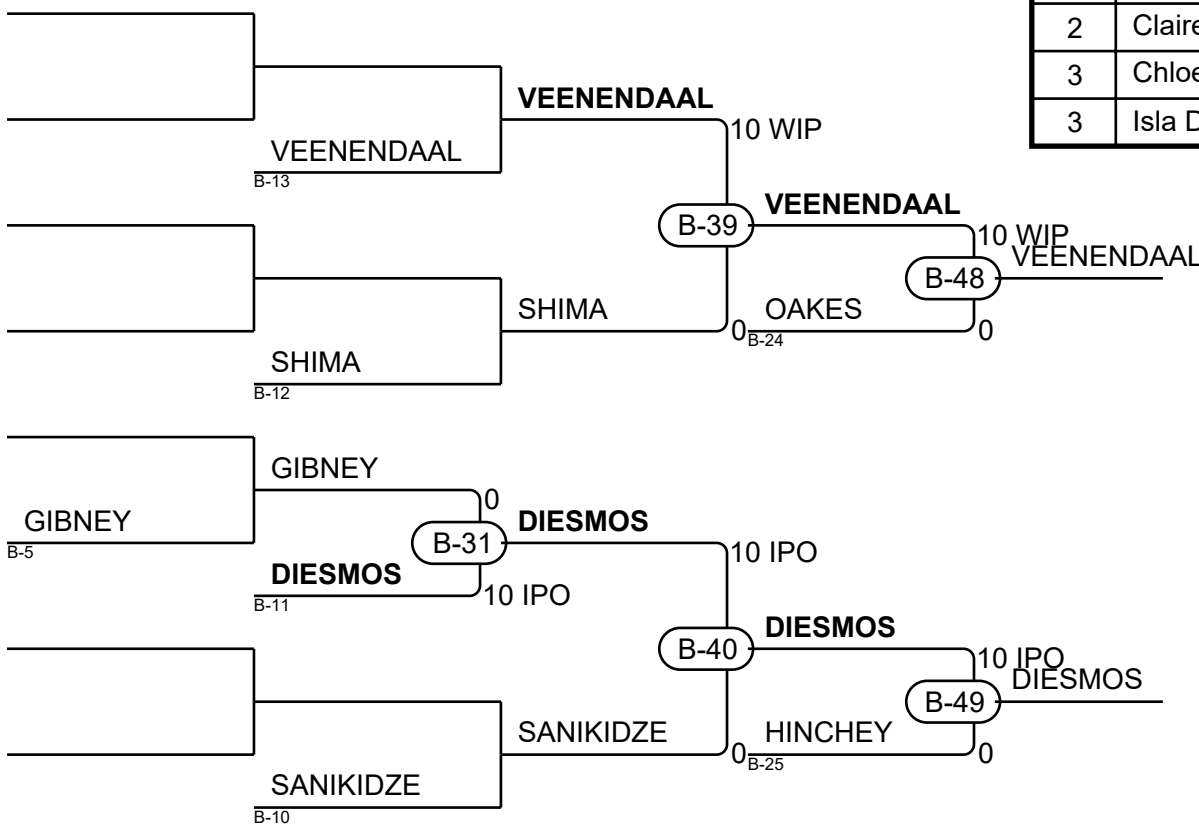
U14F -40 kg

Competitors: 9



Results

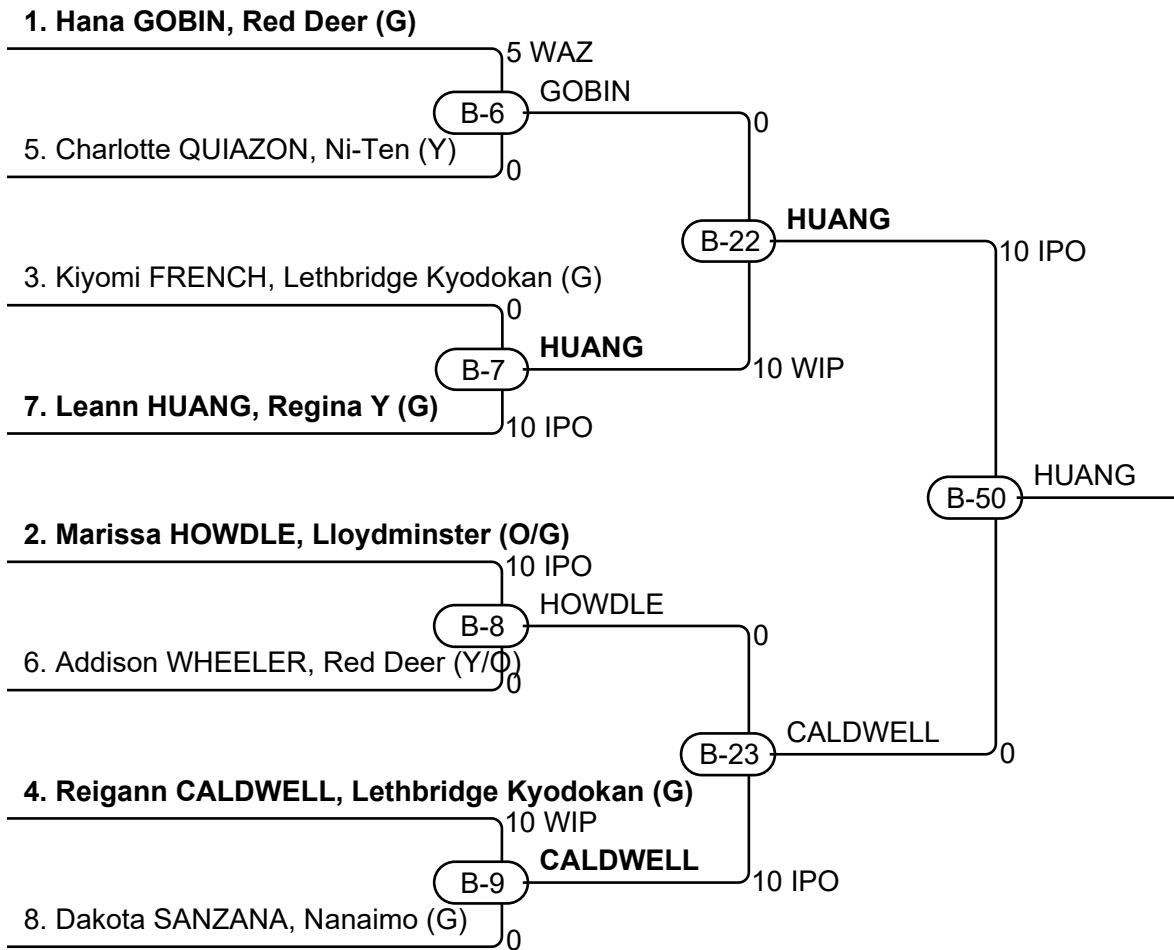
Pos	Name
1	Rory ROSS, Lethbridge Kyodokan
2	Claire PHILIPP, Lethbridge Kyodokan
3	Chloe VEENENDAAL, Hayabusa Tra
3	Isla DIESMOS, Hiro's



2019 Edmonton International

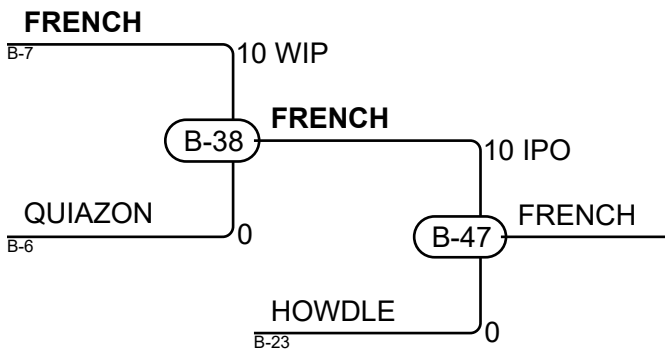
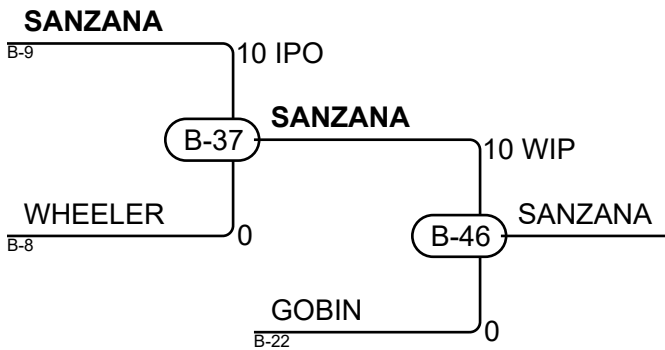
U14F -44 kg

Competitors: 8



Results

Pos	Name
1	Leann HUANG, Regina Y
2	Reigann CALDWELL, Lethbridge Kyodokan
3	Dakota SANZANA, Nanaimo
3	Kiyomi FRENCH, Lethbridge Kyodokan



2019 Edmonton International

U14F -48 kg

Competitors: 5

Competitors

#	Name	Grade	Club	1	2	3	4	5	Wins	Pts	Pos
1	Rokiya ANAN	G	Hiro's	XX			10	10	2	20	3
2	Kiana IVEY	G	Medicine Hat	10	XX	10	10	10	4	40	1
3	Victoria KEHRIG	G	Avonhurst	10		XX	10		2	20	2
4	Maya DEN OTTER	O	Invermere				XX		0	0	5
5	Sarah CLARKE	O/G	Kelowna			10	10	XX	2	20	4

Matches

Match	White			Blue	Result	Time	Code
B-16	Maya DEN OTTER	4	5	Sarah CLARKE	0 - 10	0:24	IPO
B-17	Rokiya ANAN	1	2	Kiana IVEY	0 - 10	0:34	WIP
B-20	Victoria KEHRIG	3	4	Maya DEN OTTER	10 - 0	0:11	IPO
B-21	Rokiya ANAN	1	5	Sarah CLARKE	10 - 0	0:01	IPO
B-28	Kiana IVEY	2	3	Victoria KEHRIG	10 - 0	1:09	IPO
B-29	Rokiya ANAN	1	4	Maya DEN OTTER	10 - 0	0:52	IPO
B-34	Victoria KEHRIG	3	5	Sarah CLARKE	0 - 10	0:27	WIP
B-35	Kiana IVEY	2	4	Maya DEN OTTER	10 - 0	0:30	IPO
B-43	Rokiya ANAN	1	3	Victoria KEHRIG	0 - 10	1:56	WIP
B-44	Kiana IVEY	2	5	Sarah CLARKE	10 - 0	0:26	WIP

Results

Pos	Name
1	Kiana IVEY, Medicine Hat
2	Victoria KEHRIG, Avonhurst
3	Rokiya ANAN, Hiro's
4	Sarah CLARKE, Kelowna

2019 Edmonton International

U14F -52 kg

Competitors: 5

Competitors

#	Name	Grade	Club	1	2	3	4	5	Wins	Pts	Pos
1	Angeline RATCLIFFE	O	Rodrigo Resende	XX					0	0	5
2	Beata SCHENK	G	Burnaby	10	XX	10	10	1	4	31	1
3	Alyssa TKACHENKO	Y	Taifu	10		XX			1	10	4
4	Isabelle SUEN	G	Kodokwai	10		1	XX		2	11	3
5	Brecklyn VEALE	G	Lethbridge Kyodokan	10		10	10	XX	3	30	2

Matches

Match	White			Blue	Result	Time	Code
B-14	Isabelle SUEN	4	5	Brecklyn VEALE	0 - 10	3:00	IPO
B-15	Angeline RATCLIFFE	1	2	Beata SCHENK	0 - 10	0:26	WIP
B-18	Alyssa TKACHENKO	3	4	Isabelle SUEN	0 - 1	6:00	YUS
B-19	Angeline RATCLIFFE	1	5	Brecklyn VEALE	0 - 10	0:40	IPO
B-26	Beata SCHENK	2	3	Alyssa TKACHENKO	10 - 0	0:29	IPO
B-27	Angeline RATCLIFFE	1	4	Isabelle SUEN	0 - 10	0:30	WIP
B-32	Alyssa TKACHENKO	3	5	Brecklyn VEALE	0 - 10	1:09	IPO
B-33	Beata SCHENK	2	4	Isabelle SUEN	10 - 0	1:40	IPO
B-41	Angeline RATCLIFFE	1	3	Alyssa TKACHENKO	0 - 10	0:25	WIP
B-42	Beata SCHENK	2	5	Brecklyn VEALE	1 - 0	3:00	YUS

Results

Pos	Name
1	Beata SCHENK, Burnaby
2	Brecklyn VEALE, Lethbridge Kyodokan
3	Isabelle SUEN, Kodokwai
4	Alyssa TKACHENKO, Taifu

Competitors

#	Name	Grade	Club	1	2	1	2	1	2	Wins	Pts	Pos
1	Maralgoo BATBAYAR	Y	Lethbridge Kyodokan	XX	10	XX	10	XX		2	20	1
2	Vanessa CORTAT	O	Invermere		XX		XX		XX	0	0	2

Matches

Match	White			Blue	Result	Time	Code
D-13	Maralgoo BATBAYAR	1	2	Vanessa CORTAT	10 - 0	0:59	IPO
D-22	Vanessa CORTAT	2	1	Maralgoo BATBAYAR	0 - 10	0:09	IPO
D-32	Maralgoo BATBAYAR	1	2	Vanessa CORTAT			

Results

Pos	Name
1	Maralgoo BATBAYAR, Lethbridge Kyodokan

Competitors

#	Name	Grade	Club	1	2	1	2	1	2	Wins	Pts	Pos
1	Sara CHISAN	Y	Prince George	XX		XX		XX		0	0	2
2	Marianna KARAS	G	Kodokwai	10	XX	10	XX		XX	2	20	1

Matches

Match	White			Blue	Result	Time	Code
D-12	Sara CHISAN	1	2	Marianna KARAS	0 - 10	0:06	IPO
D-21	Marianna KARAS	2	1	Sara CHISAN	10 - 0	0:34	IPO
D-31	Sara CHISAN	1	2	Marianna KARAS			

Results

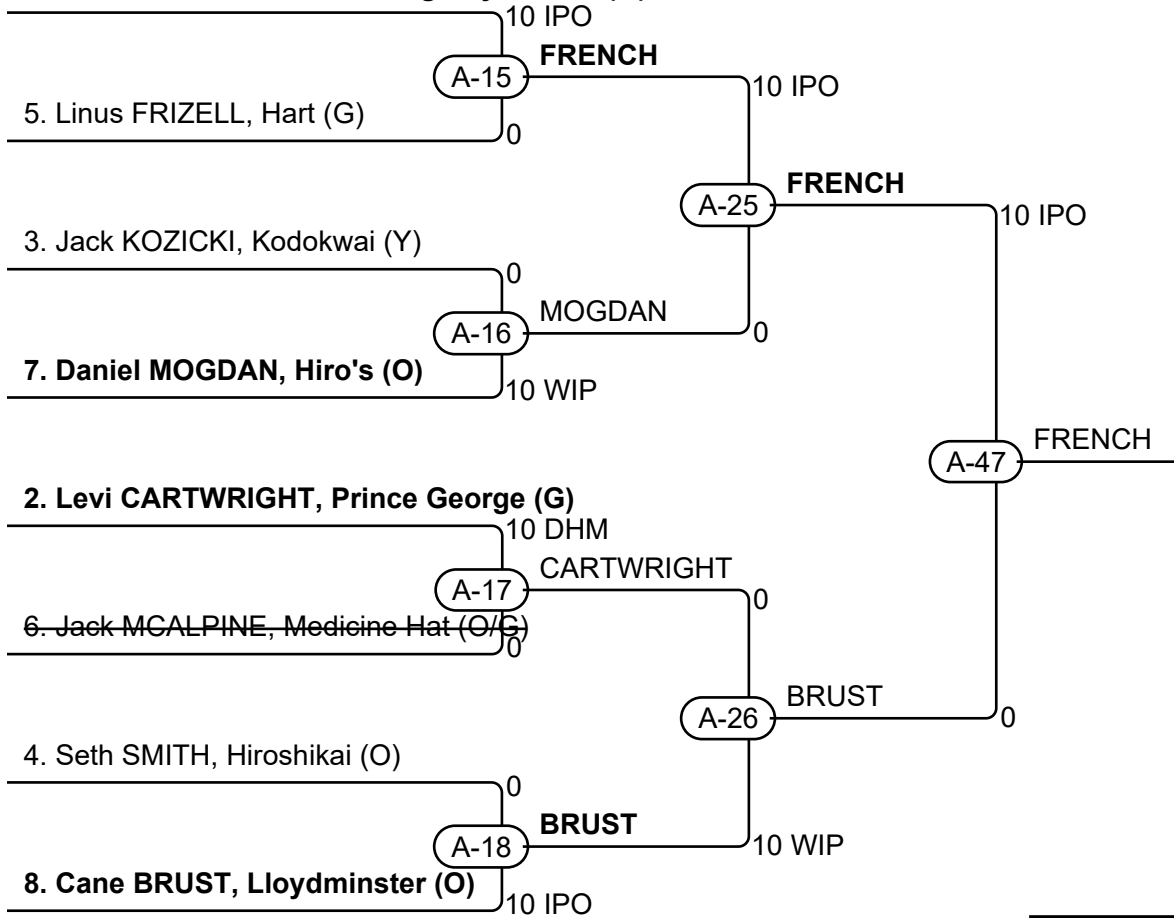
Pos	Name
1	Marianna KARAS, Kodokwai

2019 Edmonton International

U14M -34 kg

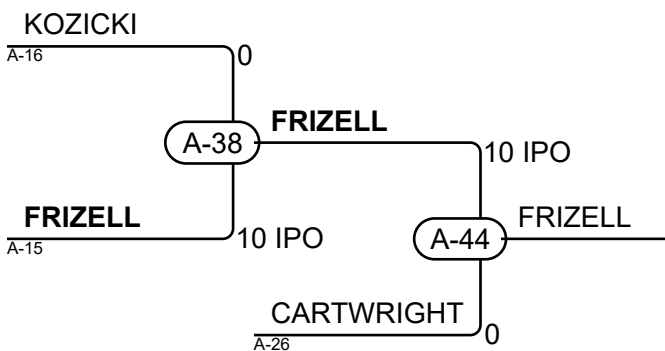
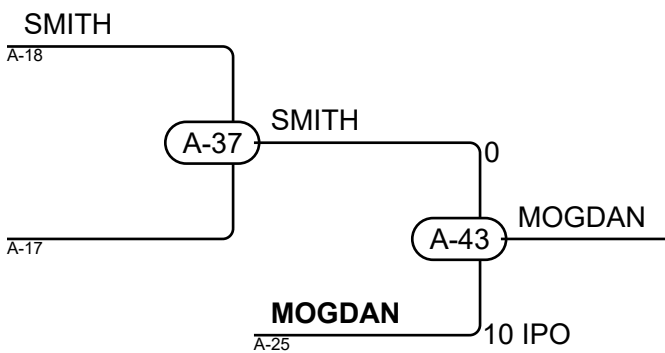
Competitors: 8

1. Tadashi FRENCH, Lethbridge Kyodokan (G)



Results

Pos	Name
1	Tadashi FRENCH, Lethbridge Kyodokan (G)
2	Cane BRUST, Lloydminster (O)
3	Daniel MOGDAN, Hiro's (O)
3	Linus FRIZELL, Hart (G)

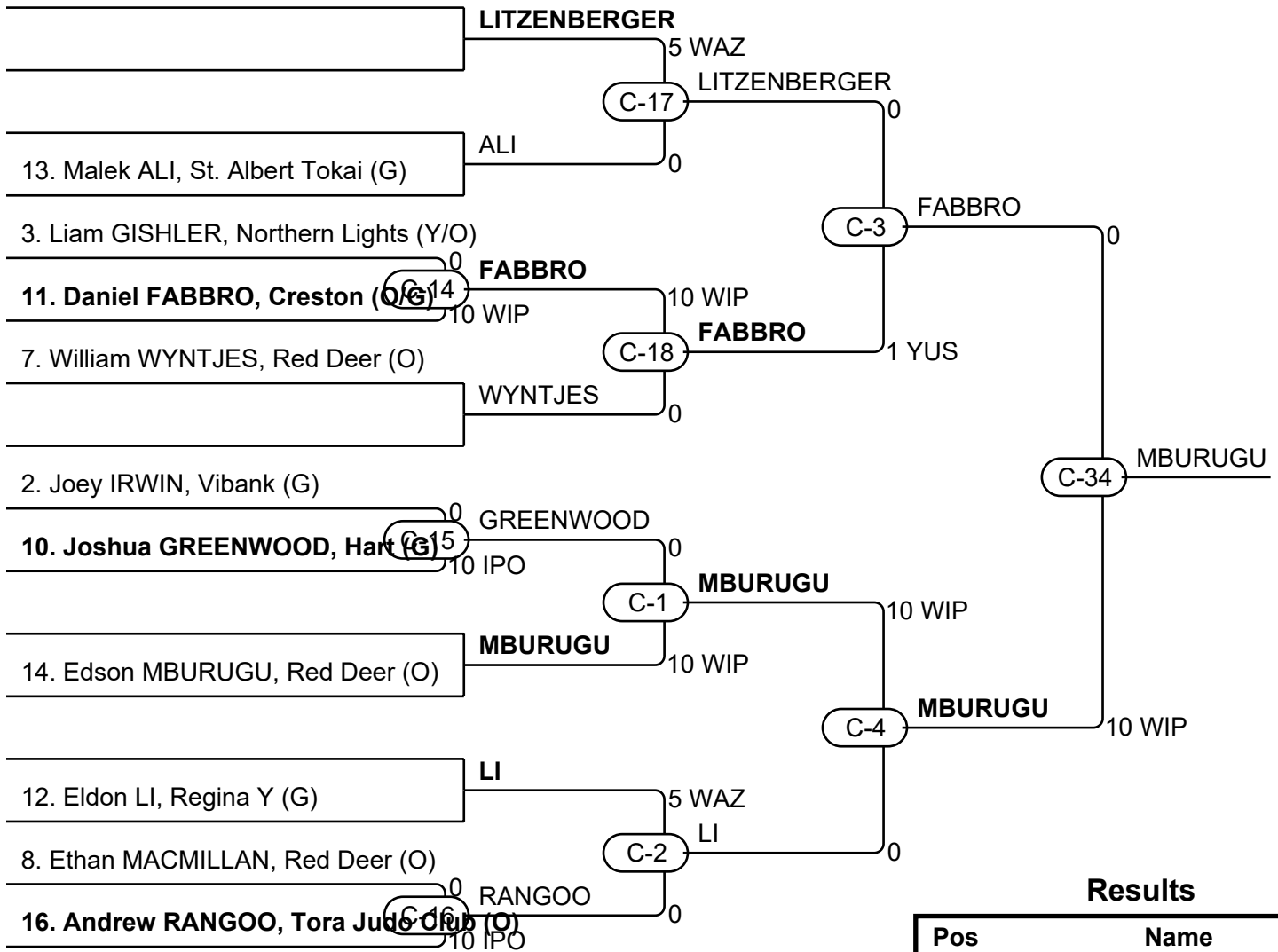


2019 Edmonton International

U14M -38 kg

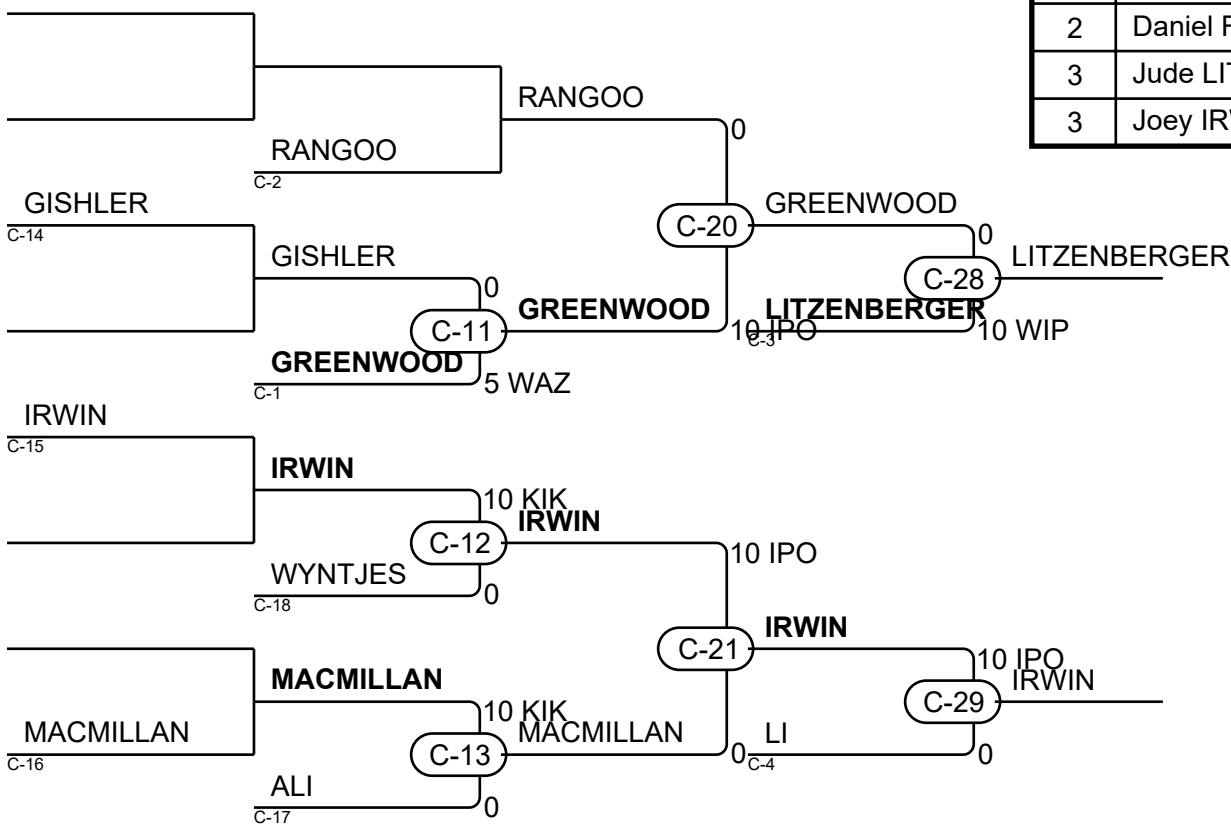
Competitors: 11

1. Jude LITZENBERGER, South Corman Park (O/G)



Results

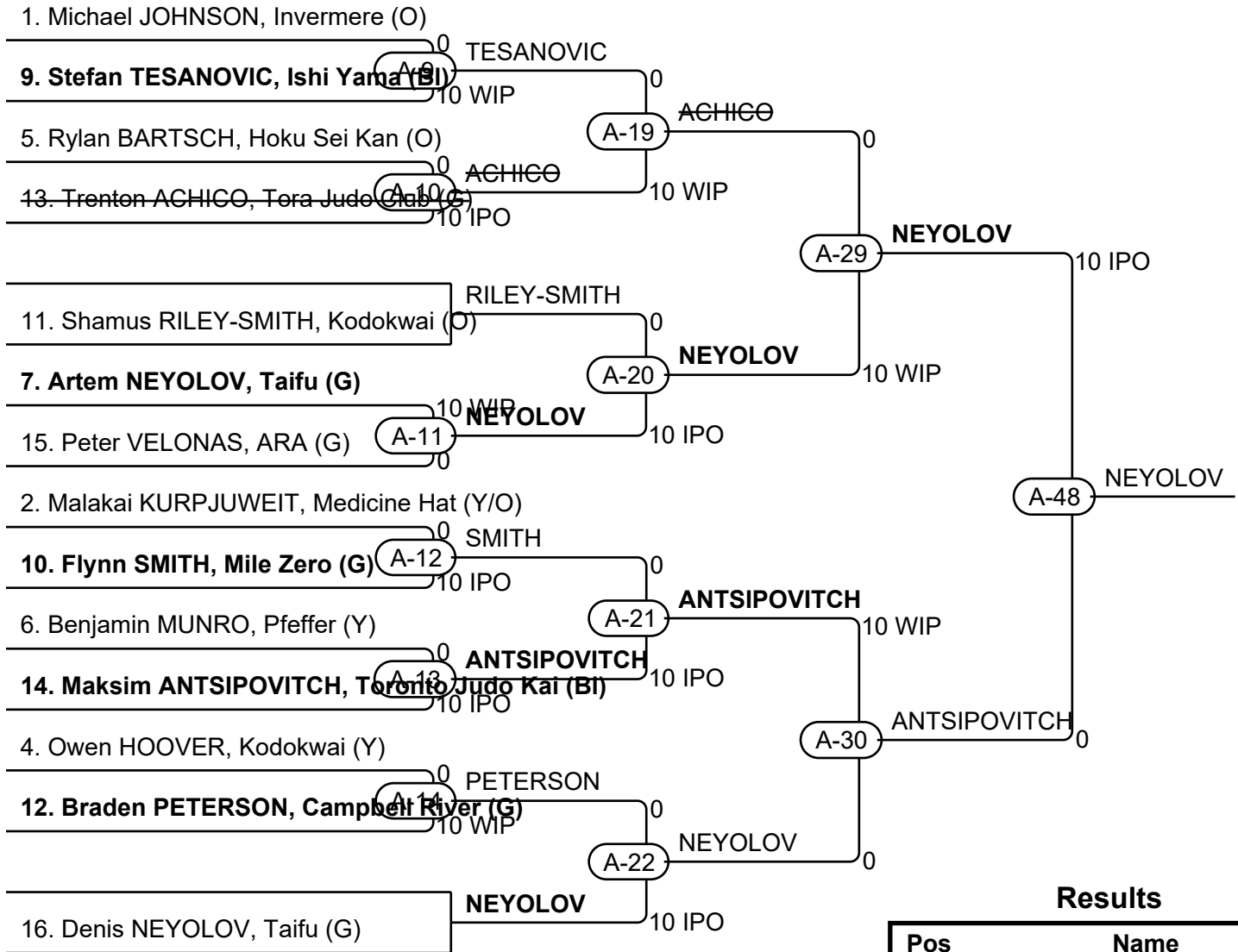
Pos	Name
1	Edson MBURUGU, Red Deer
2	Daniel FABBRO, Creston
3	Jude LITZENBERGER, South Corman Park
3	Joey IRWIN, Vibank



2019 Edmonton International

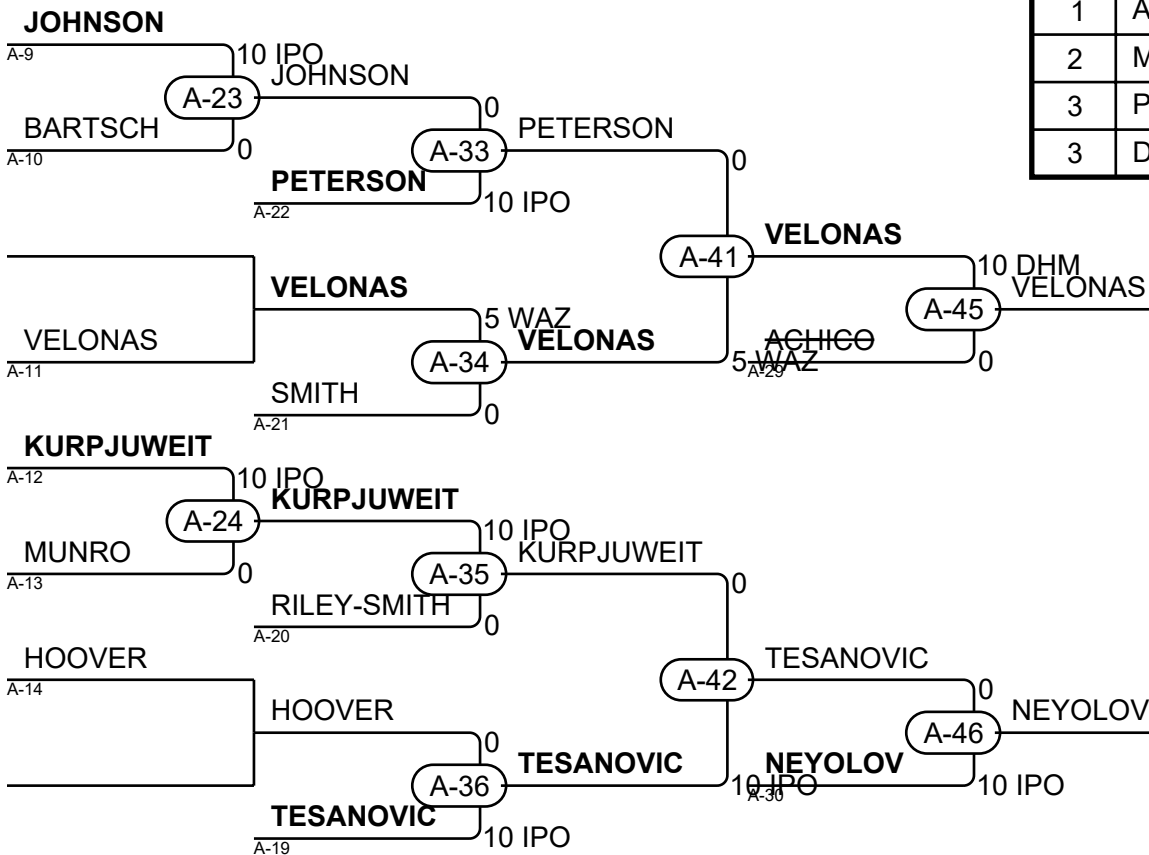
U14M -42 kg

Competitors: 14



Results

Pos	Name
1	Artem NEYOLOV, Taifu
2	Maksim ANTSIPOVITCH, Toronto Judo Kai (BI)
3	Peter VELONAS, Arashi
3	Denis NEYOLOV, Taifu

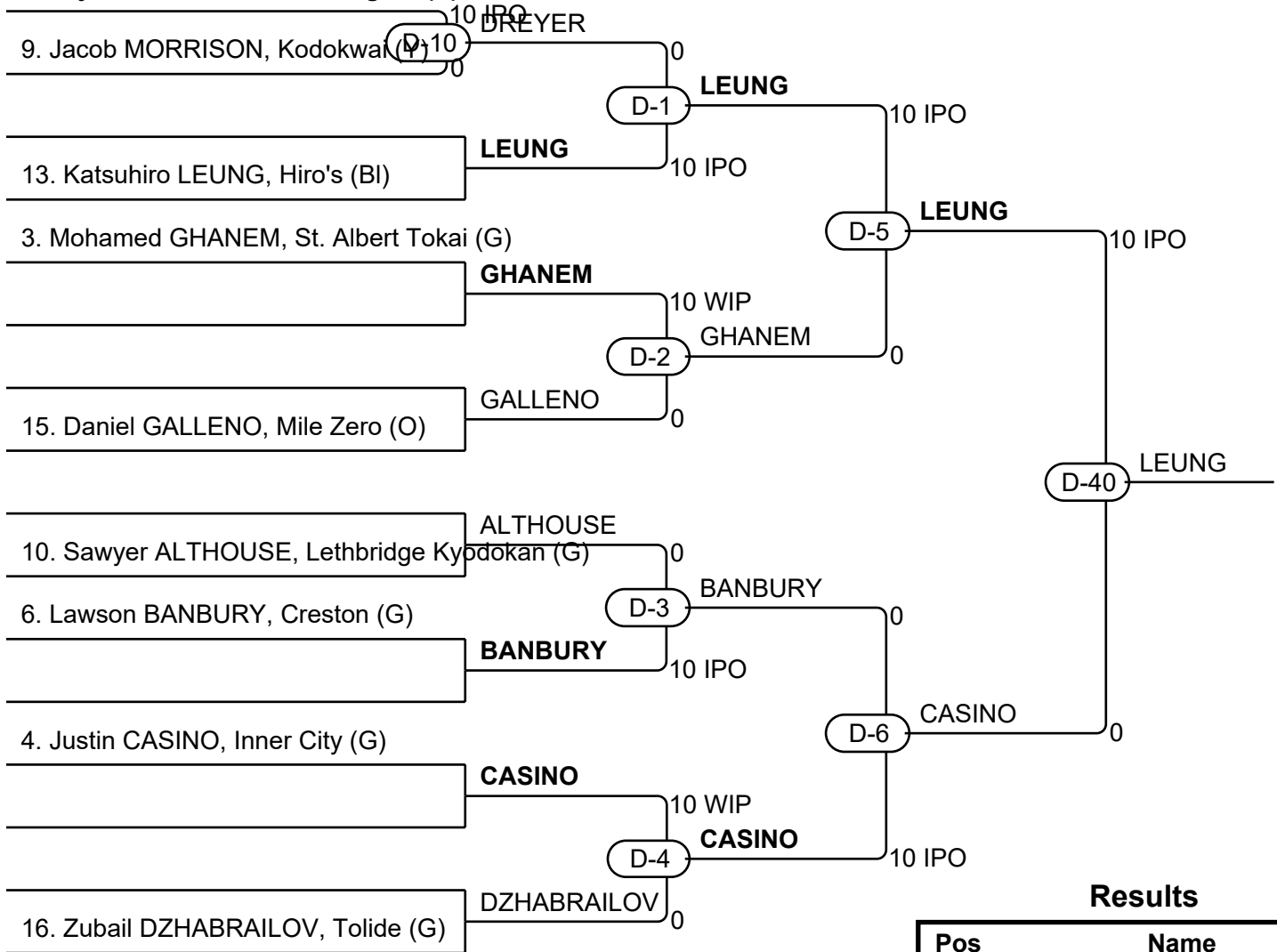


2019 Edmonton International

U14M -46 kg

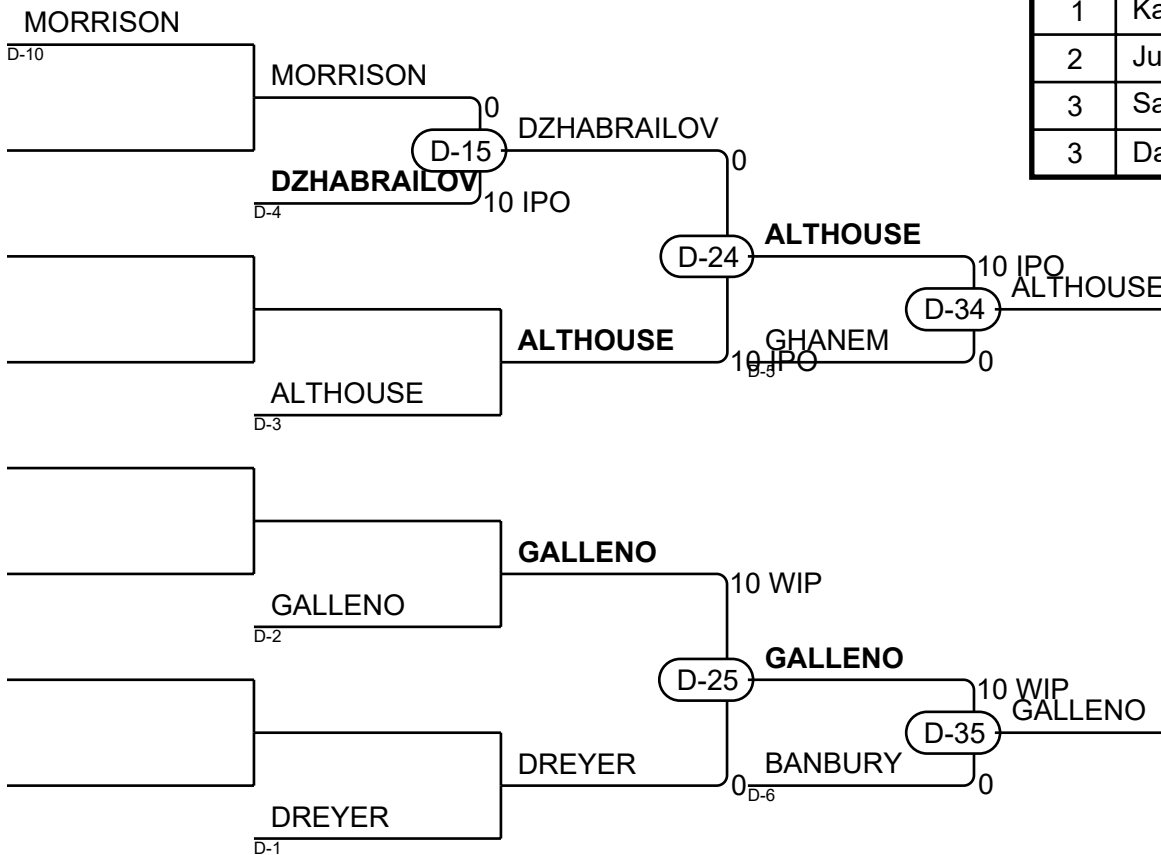
Competitors: 9

1. Tuja DREYER, Northern Lights (Y)



Results

Pos	Name
1	Katsuhiro LEUNG, Hiro's
2	Justin CASINO, Inner City
3	Sawyer ALTHOUSE, Lethbridge Kyodokan (G)
3	Daniel GALLEN0, Mile Zero



2019 Edmonton International

U14M -50 kg

Competitors: 4

Competitors

#	Name	Grade	Club	1	2	3	4	Wins	Pts	Pos
1	Tai CROOK	G	Hiro's	XX	10	10	1	3	21	1
2	Amir SAID MOHAMMOD	O	Kodokwai		XX			0	0	4
3	Nathan BREHAUT	G	Red Deer		10	XX		1	10	3
4	Maxwell BROWN	G	Airdrie Eidokan		10	10	XX	2	20	2

Matches

Match	White			Blue	Result	Time	Code
A-27	Tai CROOK	1	2	Amir SAID MOHAMMOD	10 - 0	0:19	IPO
A-28	Nathan BREHAUT	3	4	Maxwell BROWN	0 - 10	1:52	IPO
A-31	Tai CROOK	1	3	Nathan BREHAUT	10 - 0	0:32	IPO
A-32	Amir SAID MOHAMMOD	2	4	Maxwell BROWN	0 - 10	0:54	IPO
A-39	Tai CROOK	1	4	Maxwell BROWN	1 - 0	3:00	YUS
A-40	Amir SAID MOHAMMOD	2	3	Nathan BREHAUT	0 - 10	1:15	IPO

Results

Pos	Name
1	Tai CROOK, Hiro's
2	Maxwell BROWN, Airdrie Eidokan
3	Nathan BREHAUT, Red Deer

2019 Edmonton International

U14M -55 kg

Competitors: 7

Competitors A

#	Name	Grade	Club	1	2	3	4	Wins	Pts	Pos
1	Jackson MAKARENKO	Y	Red Deer	XX				0	0	4
2	Brandon-Lee CHIASSON	O	Northern Lights	10	XX	10		2	20	2
3	Cyrus KAIP	O	Avonhurst	10		XX		1	10	3
4	Habib SAID MOHAMMOD	G	Kodokwai	10	10	10	XX	3	30	1

Matches A

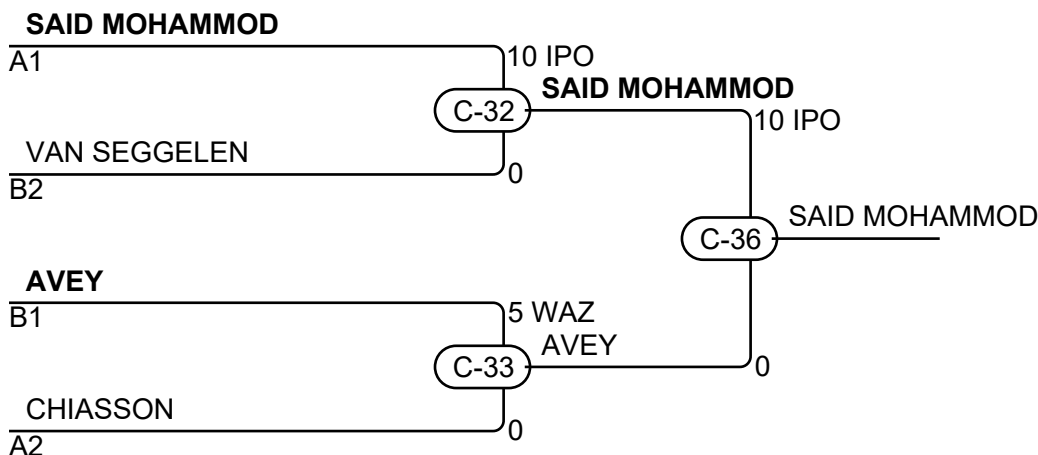
Match	White	Blue	Result	Time	Code
C-8	Jackson MAKARENKO 1 2	Brandon-Lee CHIASSON	0 - 10	1:41	WIP
C-9	Cyrus KAIP 3 4	Habib SAID MOHAMMOD	0 - 10	0:07	IPO
C-17	Jackson MAKARENKO 1 3	Cyrus KAIP	0 - 10	2:24	WIP
C-18	Brandon-Lee CHIASSON 2 4	Habib SAID MOHAMMOD	0 - 10	0:09	IPO
C-25	Jackson MAKARENKO 1 4	Habib SAID MOHAMMOD	0 - 10	0:24	IPO
C-26	Brandon-Lee CHIASSON 2 3	Cyrus KAIP	10 - 0	2:00	WIP

Competitors B

#	Name	Grade	Club	5	6	7	Wins	Pts	Pos
5	Benjamin LONEY	Y/O	Lloydminster	XX			0	0	3
6	Gabe AVEY	G	Mile Zero	10	XX	10	2	20	1
7	Garrett VAN SEGGELEN	O/G	Red Deer	10		XX	1	10	2

Matches B

Match	White	Blue	Result	Time	Code
C-10	Benjamin LONEY 5 6	Gabe AVEY	0 - 10	0:04	IPO
C-19	Benjamin LONEY 5 7	Garrett VAN SEGGELEN	0 - 10	0:23	IPO
C-27	Gabe AVEY 6 7	Garrett VAN SEGGELEN	10 - 0	2:01	WIP



Results

Pos	Name
1	Habib SAID MOHAMMOD, Kodokwai
2	Gabe AVEY, Mile Zero
3	Garrett VAN SEGGELEN, Red Deer
3	Brandon-Lee CHIASSON, Northern Lights

2019 Edmonton International

U14M -60 kg

Competitors: 7

Competitors A

#	Name	Grade	Club	1	2	3	4	Wins	Pts	Pos
1	Kareem ELMAYERGI	G	St. Albert Tokai	XX				0	0	4
2	Nicolas VILLA	G	Nakamura	1	XX	10	10	3	21	1
3	Samuel CLEMENT	Bl	Ishi Yama	10		XX		1	10	3
4	Dawson PENNER	O	Hiroshikai	10		10	XX	2	20	2

Matches A

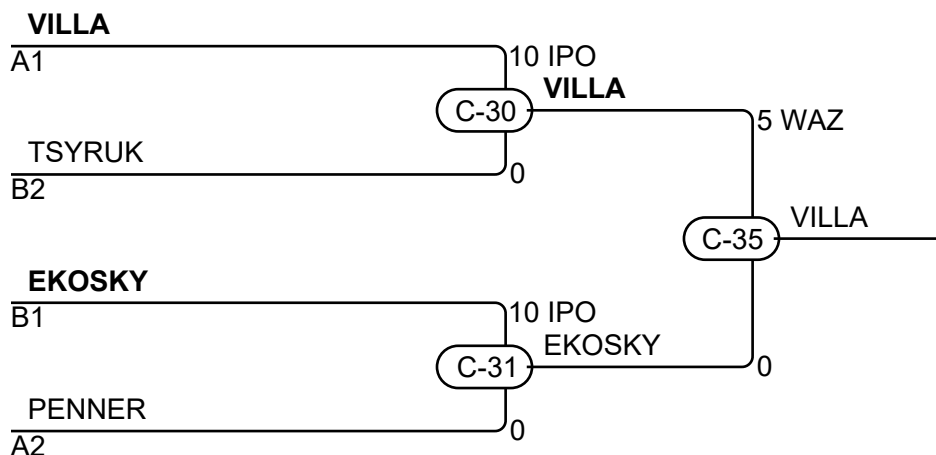
Match	White	Blue	Result	Time	Code
C-5	Kareem ELMAYERGI 1 2	Nicolas VILLA	0 - 1	6:00	YUS
C-6	Samuel CLEMENT 3 4	Dawson PENNER	0 - 10	0:17	IPO
C-14	Kareem ELMAYERGI 1 3	Samuel CLEMENT	0 - 10	2:42	HAN
C-15	Nicolas VILLA 2 4	Dawson PENNER	10 - 0	2:06	WIP
C-22	Kareem ELMAYERGI 1 4	Dawson PENNER	0 - 10	0:33	IPO
C-23	Nicolas VILLA 2 3	Samuel CLEMENT	10 - 0	0:54	IPO

Competitors B

#	Name	Grade	Club	5	6	7	Wins	Pts	Pos
5	Soren TABOULCHANAS	G	Lethbridge Kyodokan	XX			0	0	3
6	Nikita TSYRUK	G	Hoku Sei Kan	10	XX		1	10	2
7	Daniel EKOSKY	G	Selkirk	10	10	XX	2	20	1

Matches B

Match	White	Blue	Result	Time	Code
C-7	Soren TABOULCHANAS 5 6	Nikita TSYRUK	0 - 10	0:31	WIP
C-16	Soren TABOULCHANAS 5 7	Daniel EKOSKY	0 - 10	2:46	WIP
C-24	Nikita TSYRUK 6 7	Daniel EKOSKY	0 - 10	1:56	WIP



Results

Pos	Name
1	Nicolas VILLA, Nakamura
2	Daniel EKOSKY, Selkirk
3	Nikita TSYRUK, Hoku Sei Kan
3	Dawson PENNER, Hiroshikai

2019 Edmonton International

U14M -66 kg

Competitors: 3

Competitors

#	Name	Grade	Club	1	2	3	Wins	Pts	Pos
1	Spiro TSAKAS	O/G	Regina Y	XX	10	10	2	20	1
2	Alexander PENNER	O	Hiroshikai		XX	10	1	10	2
3	Caleb HARKER	G	Barracuda			XX	0	0	3

Matches

Match	White			Blue	Result	Time	Code
B-30	Spiro TSAKAS	1	2	Alexander PENNER	10 - 0	0:50	WIP
B-36	Spiro TSAKAS	1	3	Caleb HARKER	10 - 0	0:38	WIP
B-45	Alexander PENNER	2	3	Caleb HARKER	10 - 0	1:33	WIP

Results

Pos	Name
1	Spiro TSAKAS, Regina Y
2	Alexander PENNER, Hiroshikai

2019 Edmonton International

U14M +66 kg

Competitors: 3

Competitors

#	Name	Grade	Club	1	2	3	Wins	Pts	Pos
1	Cooper MCLEOD	G	Yellowknife	XX	10		1	10	3
2	Ken MCAREAVY	G	Ishi Yama		XX	10	1	10	2
3	Ashlan NORQUAY	O	Northern Lights	10		XX	1	10	1

Matches

Match	White			Blue	Result	Time	Code
D-14	Cooper MCLEOD	1	2	Ken MCAREAVY	10 - 0	0:47	IPO
D-23	Cooper MCLEOD	1	3	Ashlan NORQUAY	0 - 10	1:19	IPO
D-33	Ken MCAREAVY	2	3	Ashlan NORQUAY	10 - 0	1:16	WIP

Results

Pos	Name
1	Ashlan NORQUAY, Northern Lights
2	Ken MCAREAVY, Ishi Yama
3	Cooper MCLEOD, Yellowknife

2019 Edmonton International

U18F -44 kg

Competitors: 4

Competitors

#	Name	Grade	Club	1	2	3	4	Wins	Pts	Pos
1	Evelyn BEATON	BI	Lethbridge Kyodokan	XX	10	10	10	3	30	1
2	Brynn IWAASA	BI	Lethbridge Kyodokan		XX	10	10	2	20	2
3	Ekaterina DANILKOV	BI	Burnaby			XX	10	1	10	3
4	Angelina MCCRISTALL	BI	Upper Canada				XX	0	0	4

Matches

Match	White			Blue	Result	Time	Code
A-52	Evelyn BEATON	1	2	Brynn IWAASA	10 - 0	2:56	IPO
A-59	Ekaterina DANILKOV	3	4	Angelina MCCRISTALL	10 - 0	0:35	IPO
A-68	Evelyn BEATON	1	3	Ekaterina DANILKOV	10 - 0	0:40	IPO
A-77	Brynn IWAASA	2	4	Angelina MCCRISTALL	10 - 0	0:12	IPO
A-86	Evelyn BEATON	1	4	Angelina MCCRISTALL	10 - 0	2:04	WIP
A-100	Brynn IWAASA	2	3	Ekaterina DANILKOV	10 - 0	0:11	IPO

Results

Pos	Name
1	Evelyn BEATON, Lethbridge Kyodokan
2	Brynn IWAASA, Lethbridge Kyodokan
3	Ekaterina DANILKOV, Burnaby

Competitors

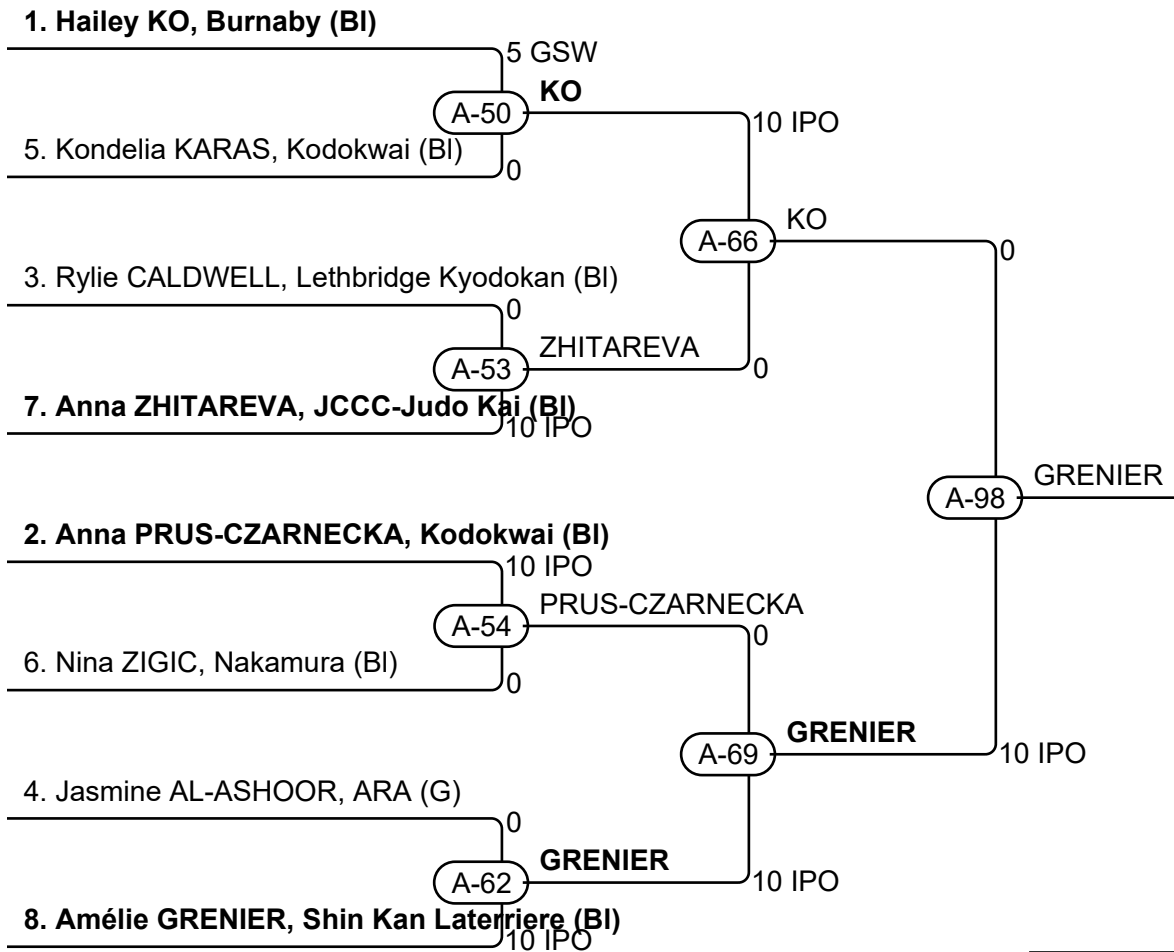
#	Name	Grade	Club	1	2	3	Wins	Pts	Pos
1	Nadine BONDT	G	Vernon	XX			0	0	3
2	Klavdia DANILKOV	BI	Burnaby	10	XX		1	10	2
3	Ayumi MORITA	BI	Police Judo Junior	10	10	XX	2	20	1

Matches

Match	White		Blue		Result	Time	Code
B-59	Nadine BONDT	1	2	Klavdia DANILKOV	0 - 10	0:22	WIP
B-75	Nadine BONDT	1	3	Ayumi MORITA	0 - 10	1:26	IPO
B-96	Klavdia DANILKOV	2	3	Ayumi MORITA	0 - 10	3:17	WIP

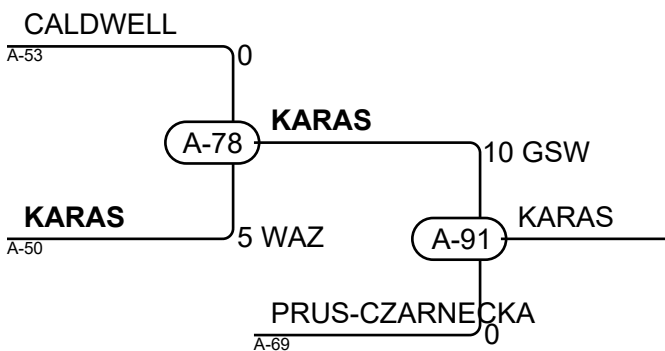
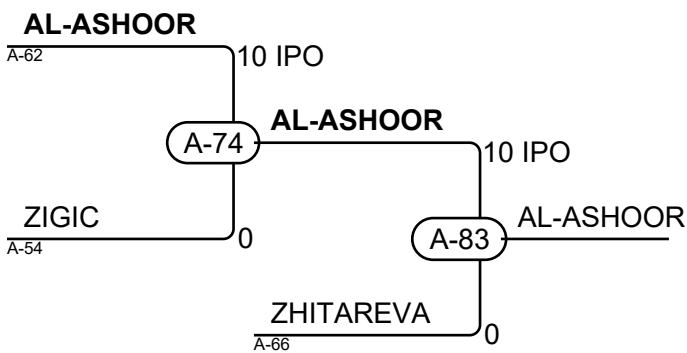
Results

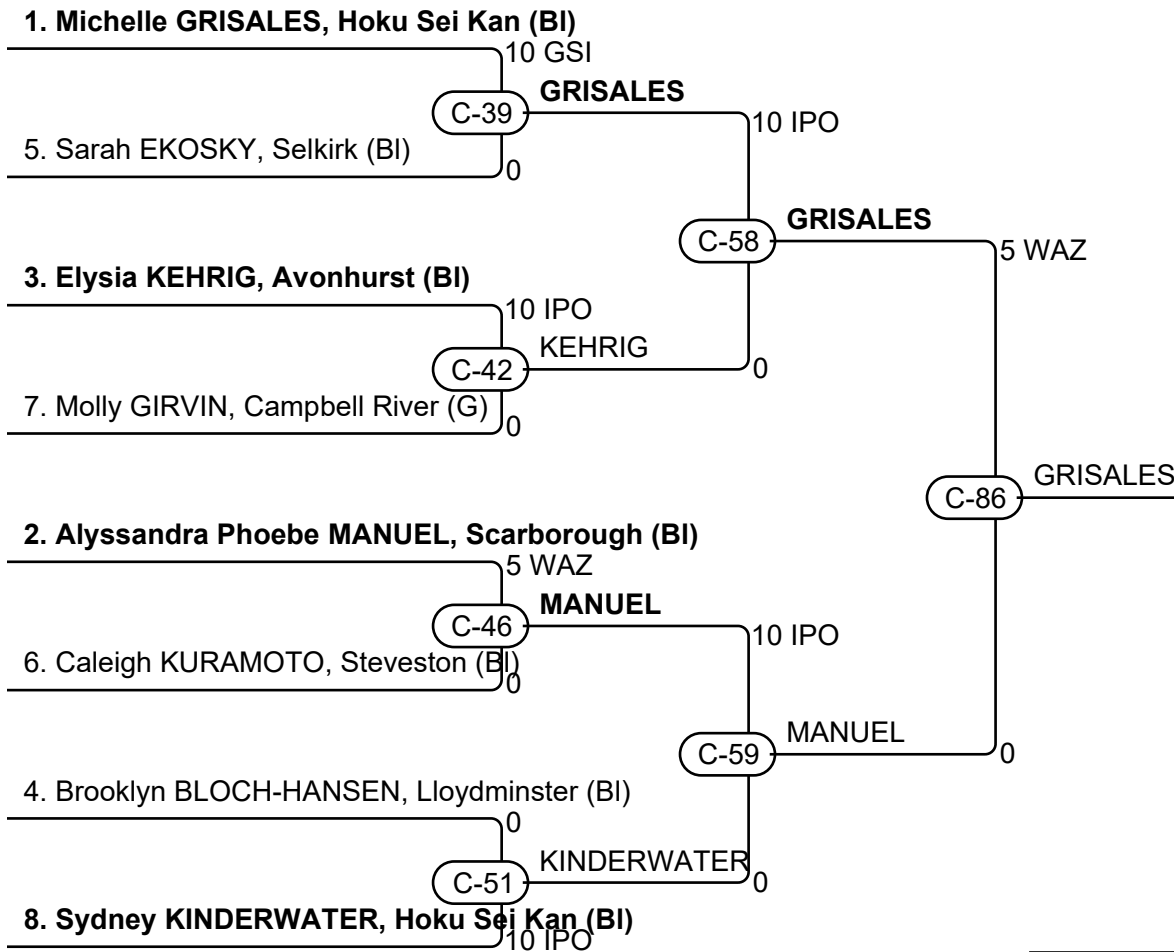
Pos	Name
1	Ayumi MORITA, Police Judo Junior
2	Klavdia DANILKOV, Burnaby



Results

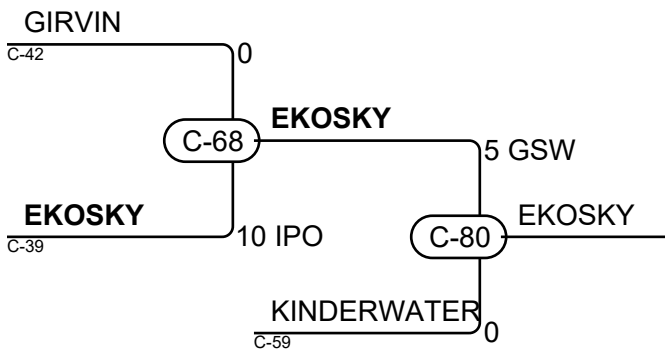
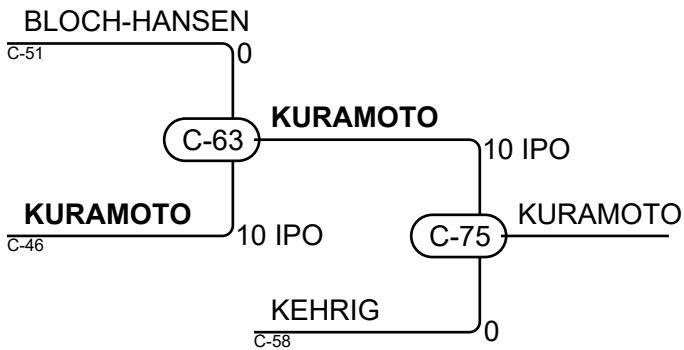
Pos	Name
1	Amélie GRENIER, Shin Kan Laterriere
2	Hailey KO, Burnaby
3	Jasmine AL-ASHOOR, Arashi
3	Kondelia KARAS, Kodokwai

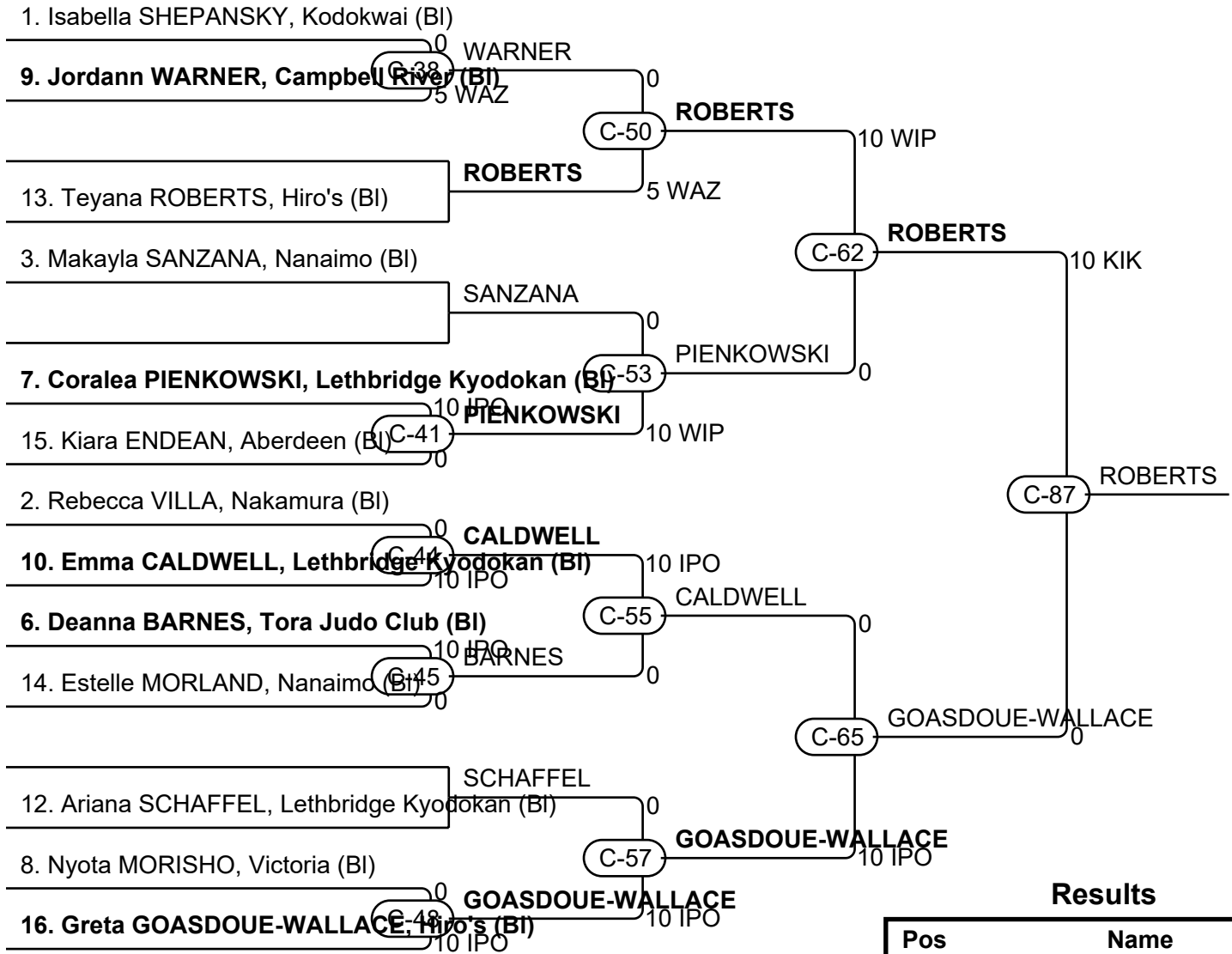




Results

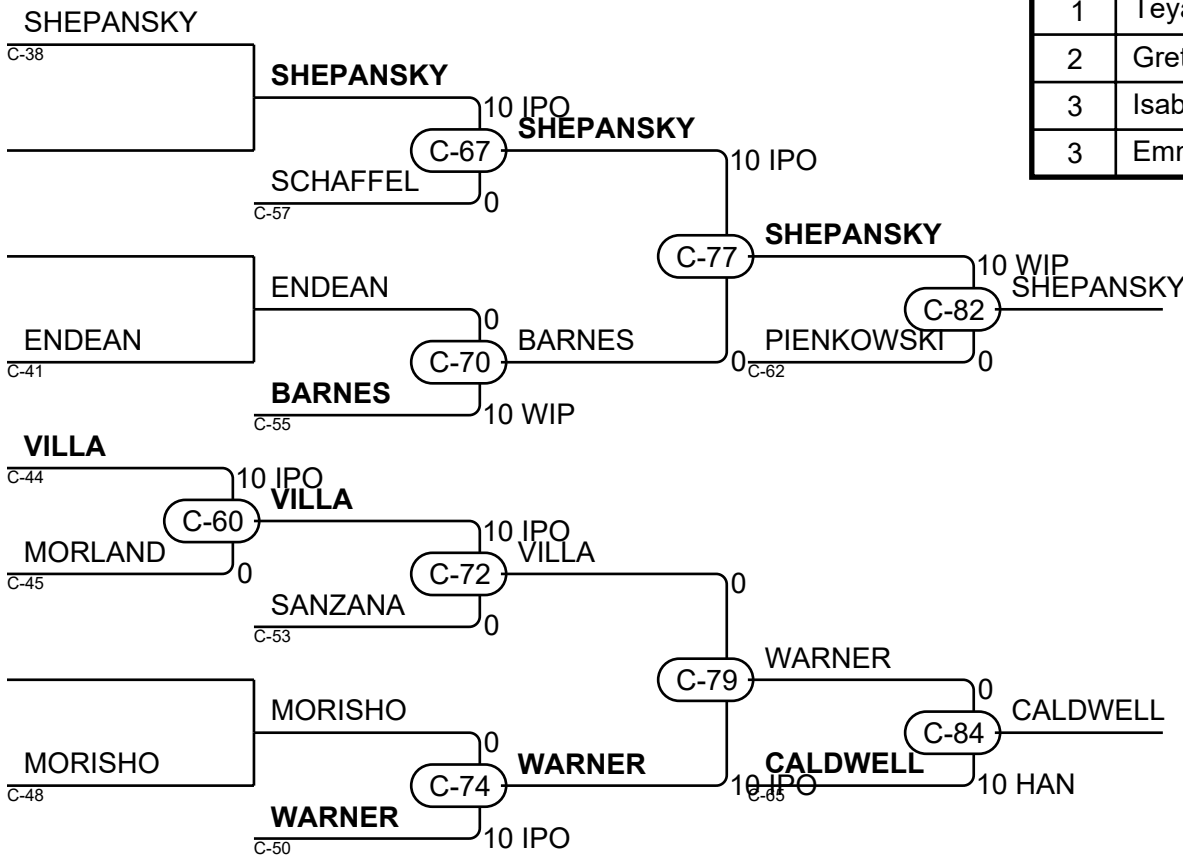
Pos	Name
1	Michelle GRISALES, Hoku Sei Kan
2	Alyssandra Phoebe MANUEL, Scarborough
3	Caleigh KURAMOTO, Steveston
3	Sarah EKOSKY, Selkirk





Results

Pos	Name
1	Teyana ROBERTS, Hiro's
2	Greta GOASDOUE-WALLACE, Hiro's
3	Isabella SHEPANSKY, Kodokwai
3	Emma CALDWELL, Lethbridge Kyodokan



2019 Edmonton International

U18F -70 kg

Competitors: 3

Competitors

#	Name	Grade	Club	1	2	3	Wins	Pts	Pos
1	Jade LOWENSTEIN	G	Penticton	XX			0	0	3
2	Hannah DARMADI	G	Nanaimo	10	XX	10	2	20	1
3	Jenna NYSTROM	BI	Kam Lake	10		XX	1	10	2

Matches

Match	White		Blue		Result	Time	Code
B-61	Jade LOWENSTEIN	1 2	Hannah DARMADI		0 - 10	1:05	WIP
B-77	Jade LOWENSTEIN	1 3	Jenna NYSTROM		0 - 10	0:11	IPO
B-98	Hannah DARMADI	2 3	Jenna NYSTROM		10 - 0	2:01	WIP

Results

Pos	Name
1	Hannah DARMADI, Nanaimo
2	Jenna NYSTROM, Kam Lake

2019 Edmonton International

U18F +70 kg

Competitors: 4

Competitors

#	Name	Grade	Club	1	2	3	4	Wins	Pts	Pos
1	Sara WIENS	BI	Moose Jaw Koseikan	XX			10	1	10	3
2	Jannessa KEAYS	BI	Kenshukan	10	XX		10	2	20	2
3	Samantha ULRICH	BI	West Kildonan	10	10	XX	10	3	30	1
4	Dakota WEBB	BI	Kokushikai				XX	0	0	4

Matches

Match	White			Blue	Result	Time	Code
A-51	Sara WIENS	1	2	Jannessa KEAYS	0 - 10	0:15	IPO
A-58	Samantha ULRICH	3	4	Dakota WEBB	10 - 0	0:19	IPO
A-67	Sara WIENS	1	3	Samantha ULRICH	0 - 10	0:23	IPO
A-76	Jannessa KEAYS	2	4	Dakota WEBB	10 - 0	2:20	HAN
A-85	Sara WIENS	1	4	Dakota WEBB	10 - 0	0:01	FUS
A-99	Jannessa KEAYS	2	3	Samantha ULRICH	0 - 10	0:21	WIP

Results

Pos	Name
1	Samantha ULRICH, West Kildonan
2	Jannessa KEAYS, Kenshukan
3	Sara WIENS, Moose Jaw Koseikan

Competitors A

#	Name	Grade	Club	1	2	3	Wins	Pts	Pos
1	Caleb DEMAERE	BI	Lethbridge Kyodokan	XX		10	1	10	2
2	Aidan LAZENBY	BI	Lethbridge Kyodokan	5	XX	10	2	15	1
3	Tyson THORNTON	BI	Tokugawa			XX	0	0	3

Matches A

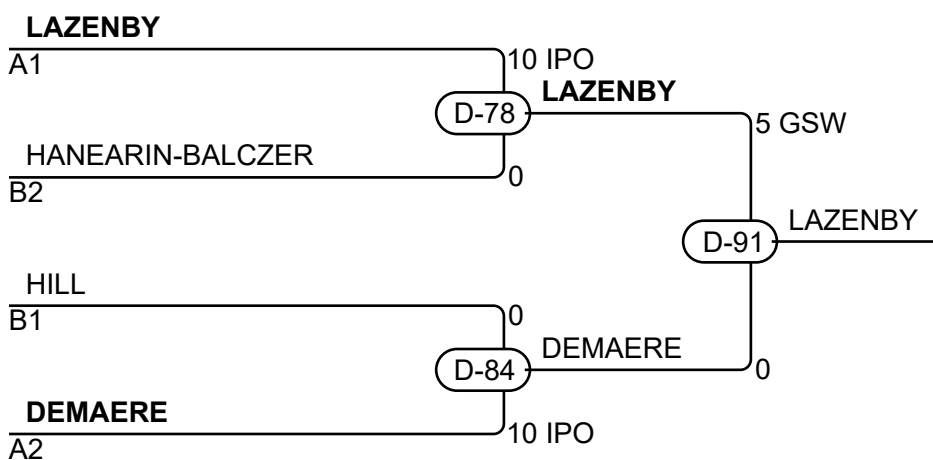
Match	White	Blue	Result	Time	Code
D-45	Caleb DEMAERE 1 2	Aidan LAZENBY	0 - 5	4:00	WAZ
D-54	Caleb DEMAERE 1 3	Tyson THORNTON	10 - 0	0:50	WIP
D-67	Aidan LAZENBY 2 3	Tyson THORNTON	10 - 0	0:48	IPO

Competitors B

#	Name	Grade	Club	4	5	6	Wins	Pts	Pos
4	Keenan HANEARIN-BALCZER	BI	Hiro's	XX	5		1	5	2
5	Troy GALLANT	BI	Lethbridge Kyodokan		XX		0	0	3
6	Elijah HILL	BI	Lethbridge Kyodokan	10	10	XX	2	20	1

Matches B

Match	White	Blue	Result	Time	Code
D-51	Keenan HANEARIN-BALCZER 4 5	Troy GALLANT	5 - 0	4:00	WAZ
D-62	Keenan HANEARIN-BALCZER 4 6	Elijah HILL	0 - 10	3:51	WIP
D-71	Troy GALLANT 5 6	Elijah HILL	0 - 10	3:33	HAN



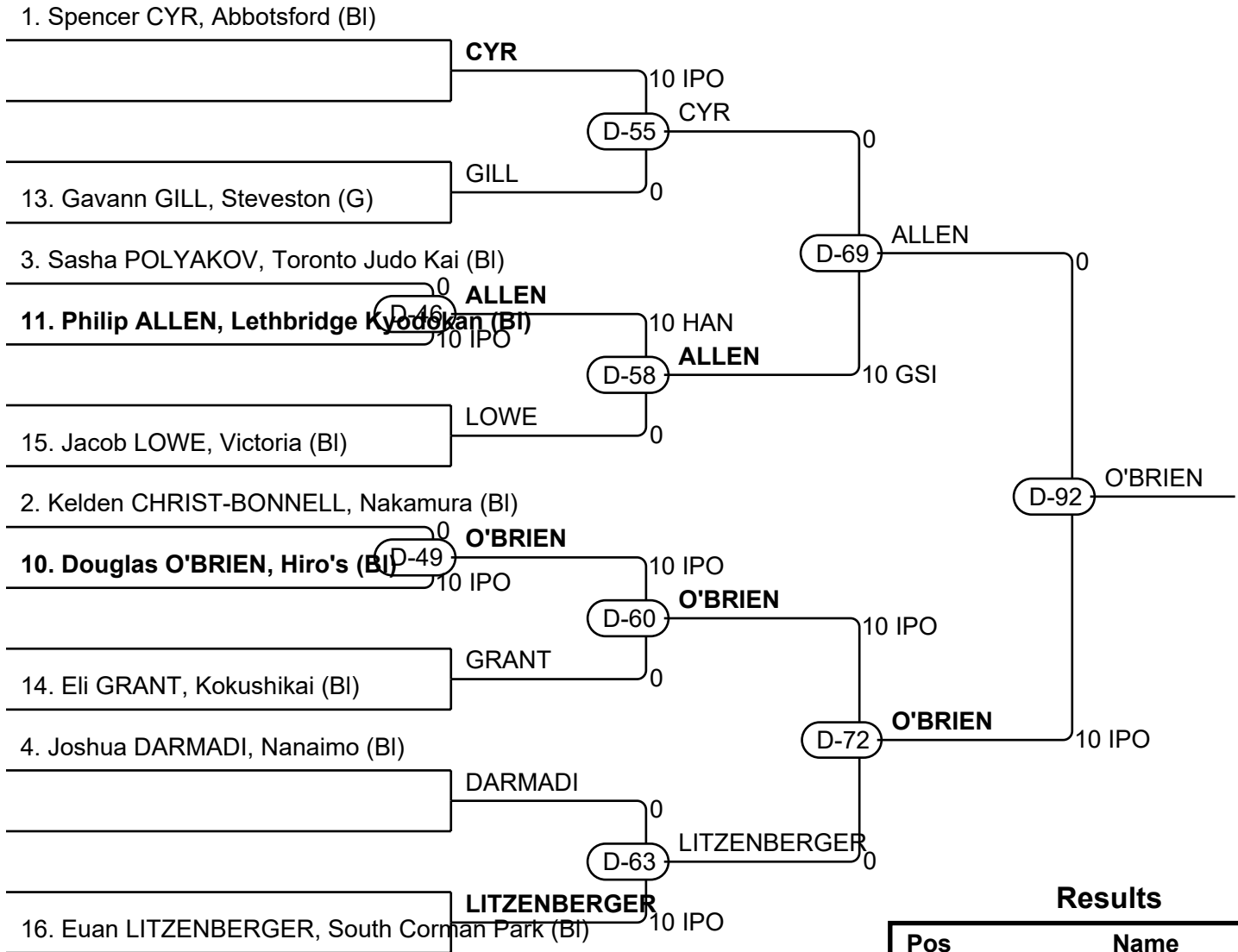
Results

Pos	Name
1	Aidan LAZENBY, Lethbridge Kyodokan
2	Caleb DEMAERE, Lethbridge Kyodokan
3	Keenan HANEARIN-BALCZER, Hiro's
3	Elijah HILL, Lethbridge Kyodokan

2019 Edmonton International

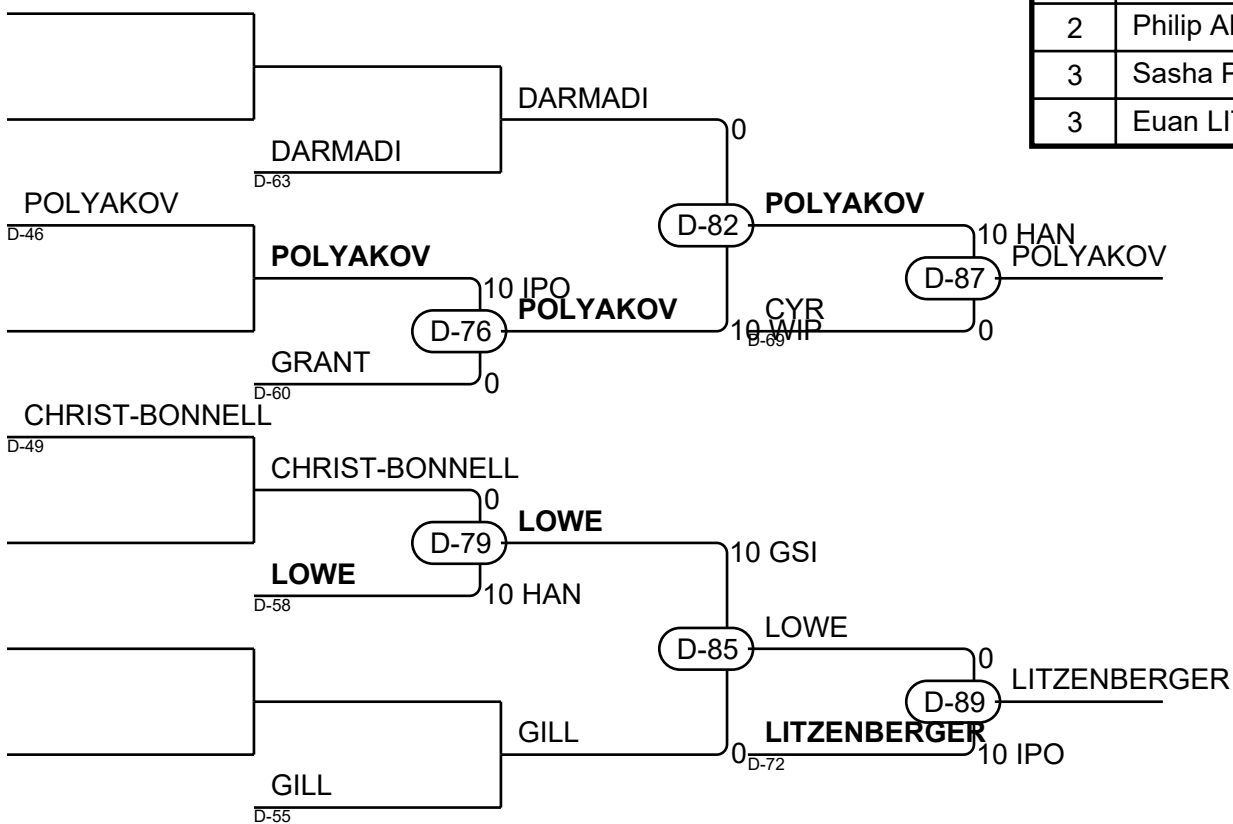
U18M -50 kg

Competitors: 10



Results

Pos	Name
1	Douglas O'BRIEN, Hiro's
2	Philip ALLEN, Lethbridge Kyodokan
3	Sasha POLYAKOV, Toronto Judo Kai
3	Euan LITZENBERGER, South Cornman Park

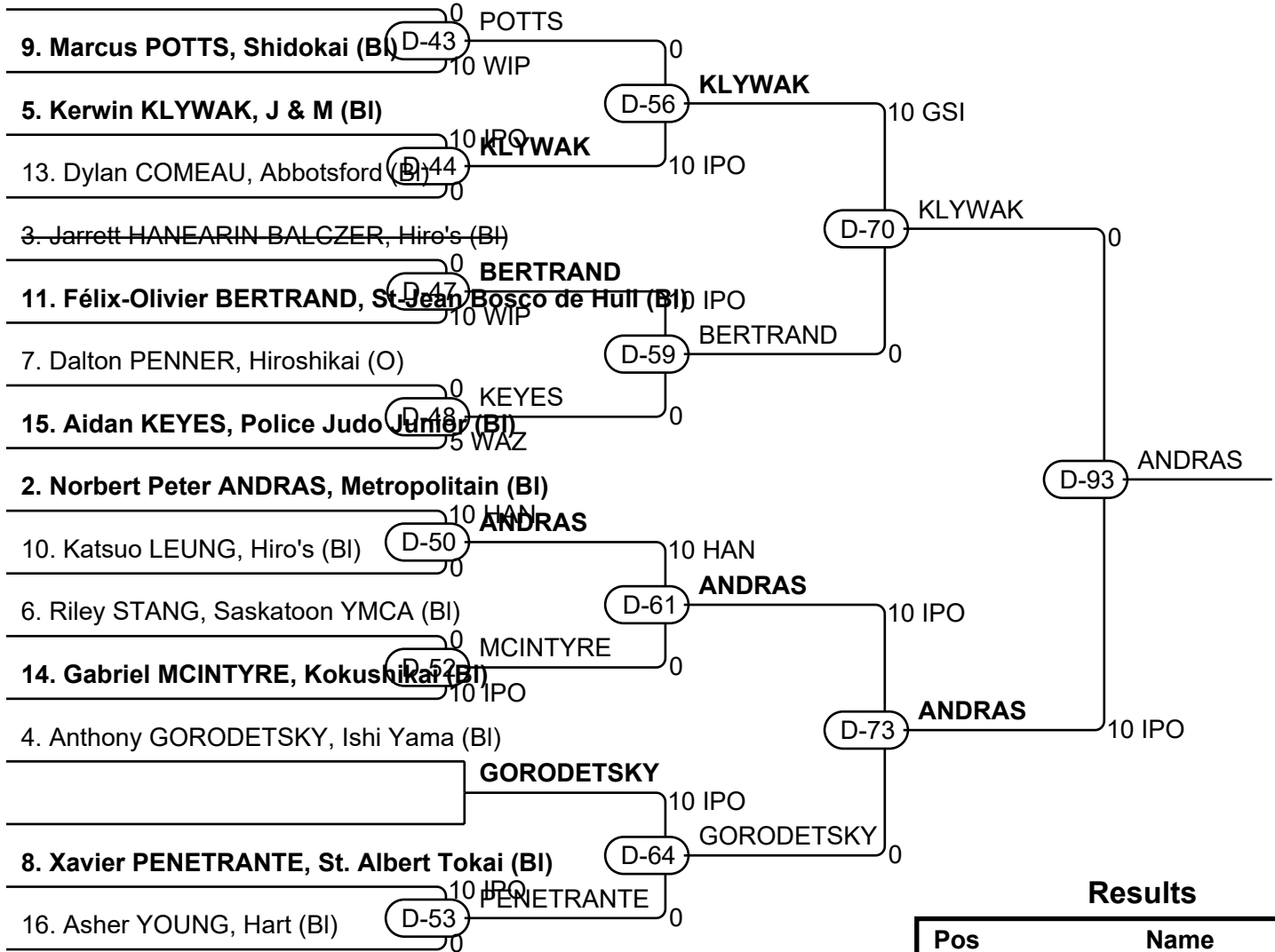


2019 Edmonton International

U18M -55 kg

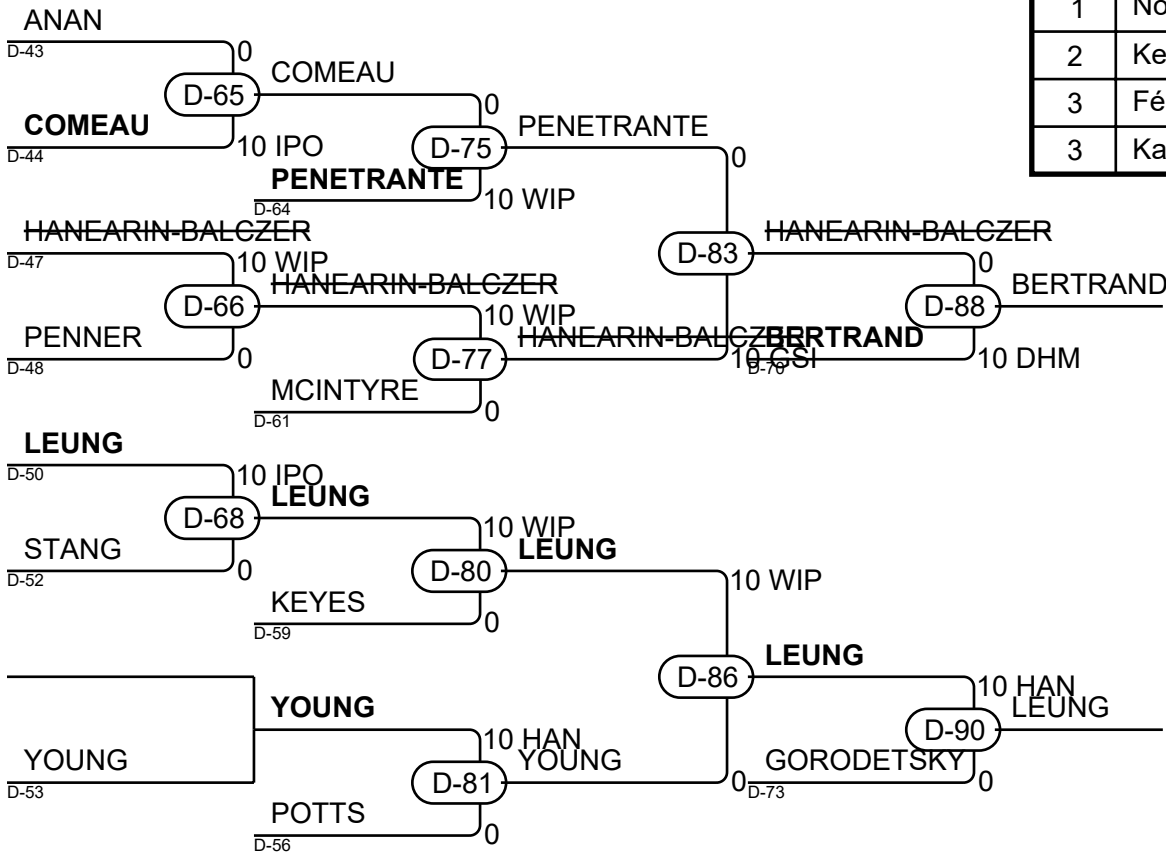
Competitors: 15

1. Tymour ANAN, Hiro's (BI)



Results

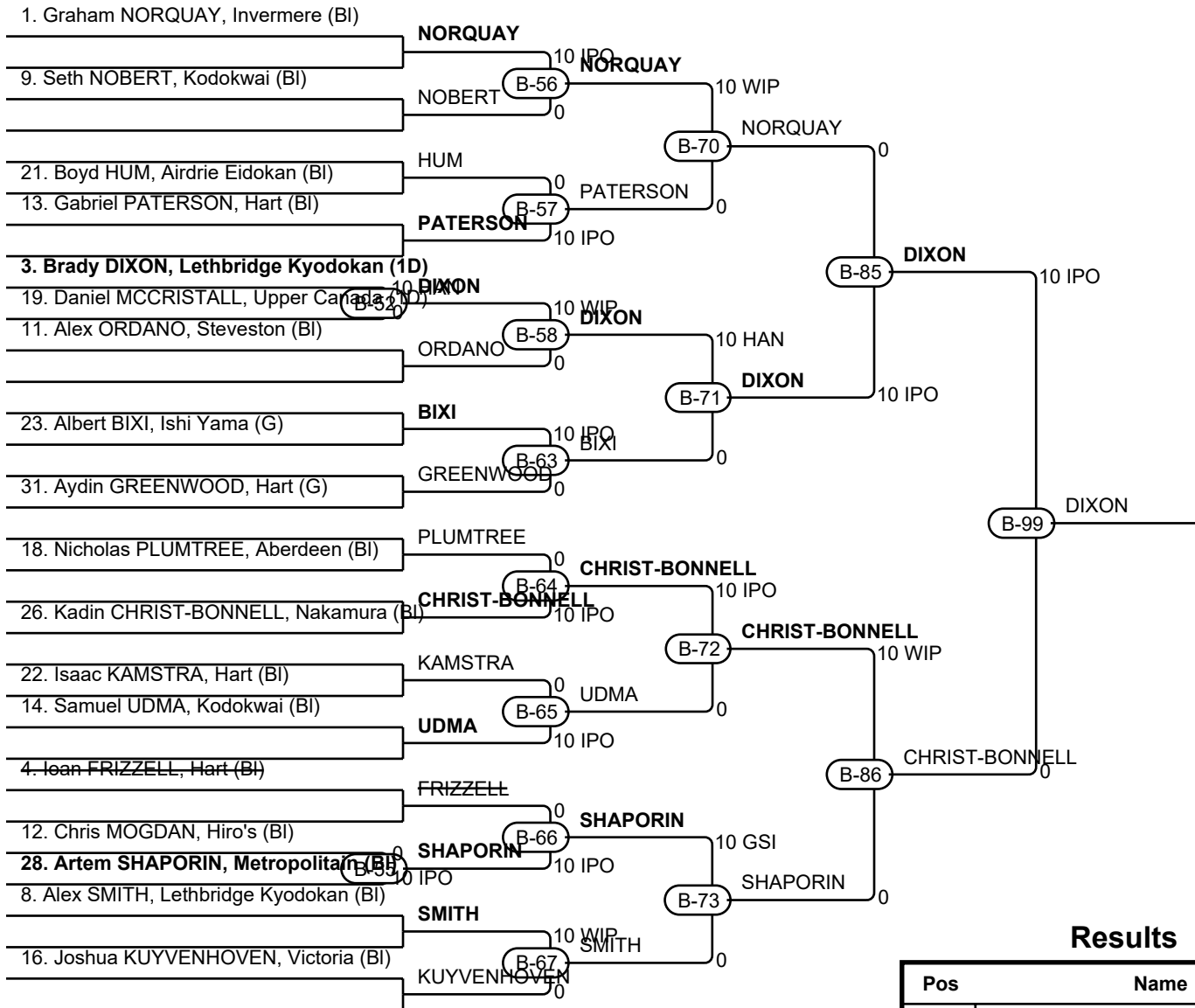
Pos	Name
1	Norbert Peter ANDRAS, Metropolitan
2	Kerwin KLYWAK, J & M
3	Félix-Olivier BERTRAND, St-Jean Bo
3	Katsuo LEUNG, Hiro's



2019 Edmonton International

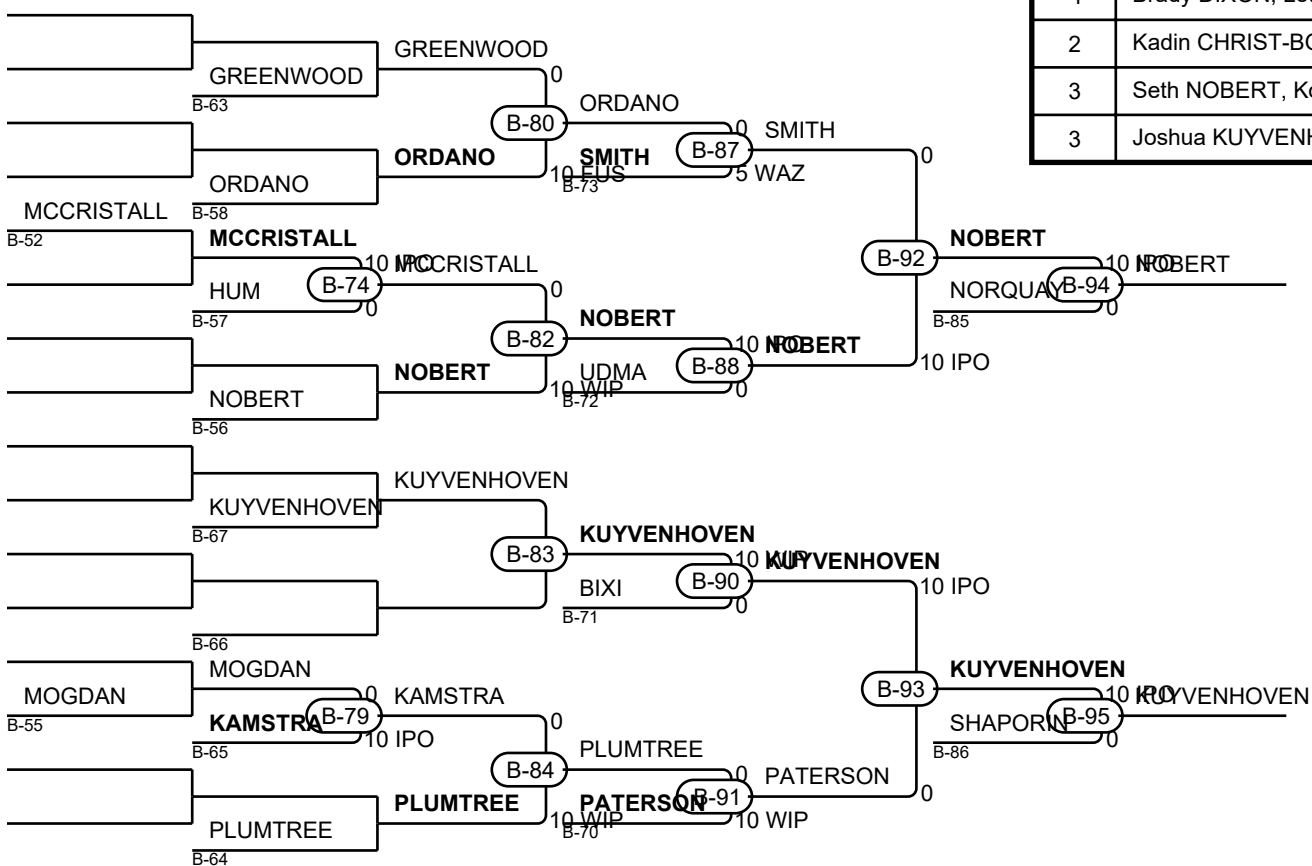
U18M -60 kg

Competitors: 18



Results

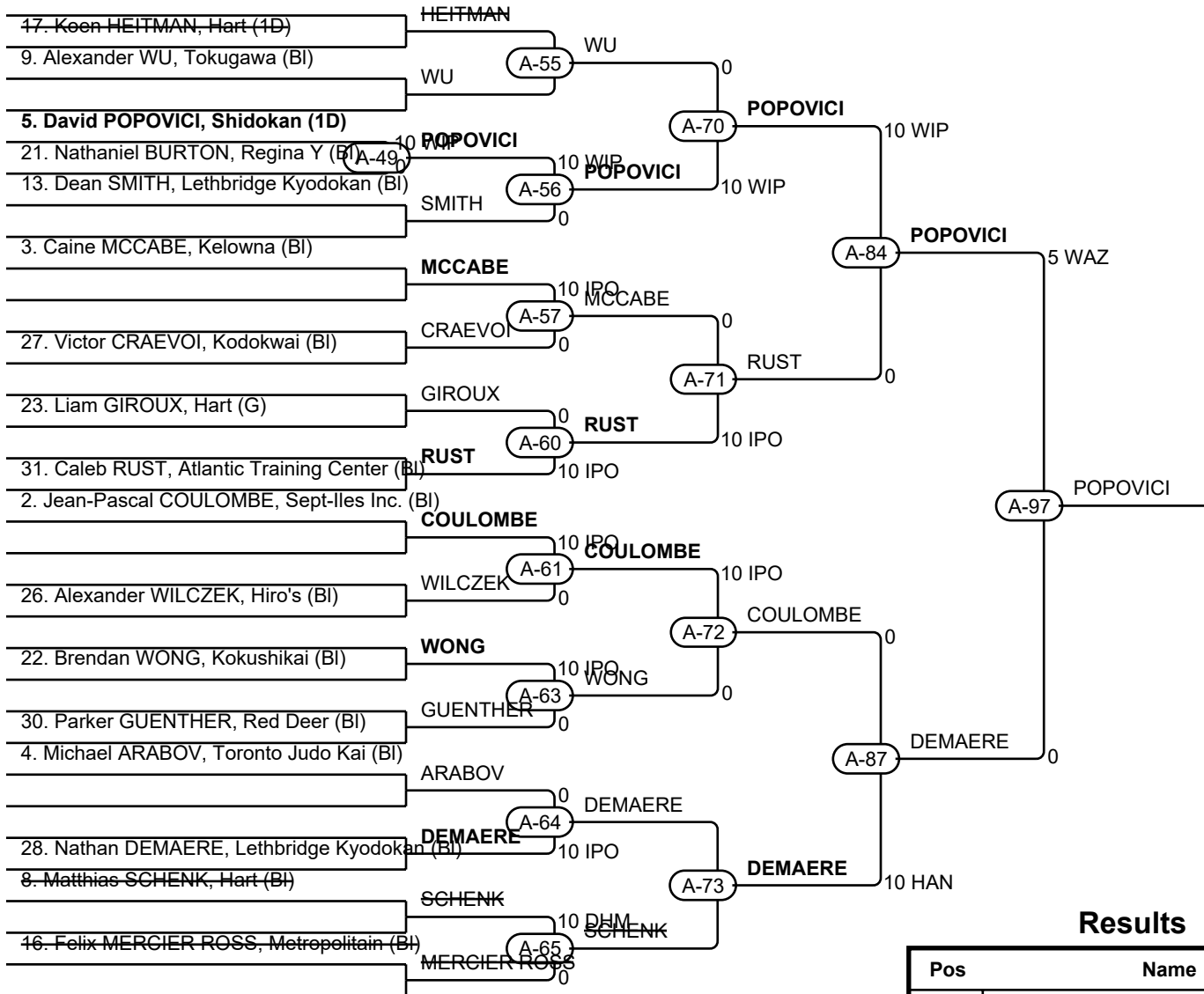
Pos	Name
1	Brady DIXON, Lethbridge Kyodokan
2	Kadin CHRIST-BONNELL, Nakamura
3	Seth NOBERT, Kodokwai
3	Joshua KUYVENHOVEN, Victoria



2019 Edmonton International

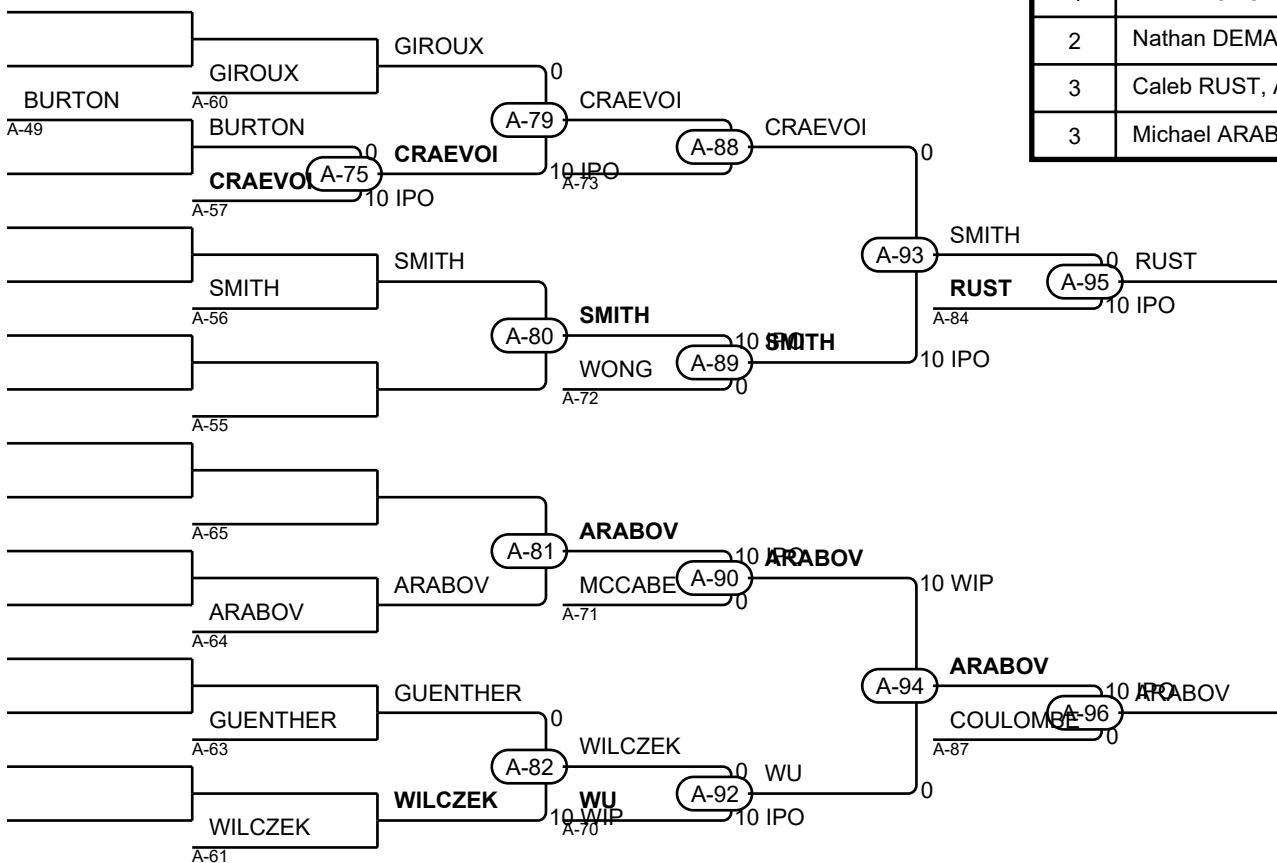
U18M -66 kg

Competitors: 17



Results

Pos	Name
1	David POPOVICI, Shidokan
2	Nathan DEMAERE, Lethbridge Kyodokan
3	Caleb RUST, Atlantic Training Center
3	Michael ARABOV, Toronto Judo Kai

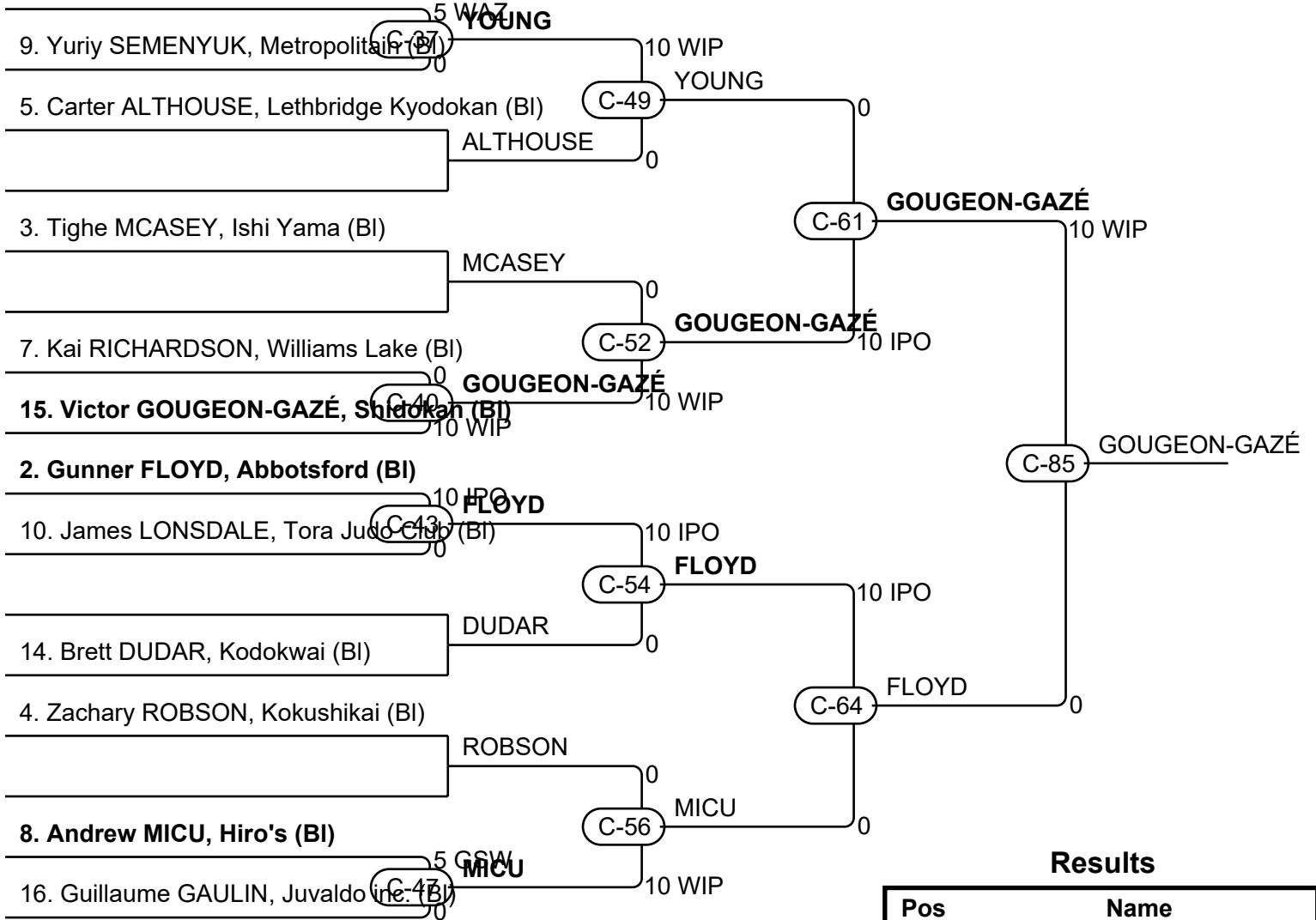


2019 Edmonton International

U18M -73 kg

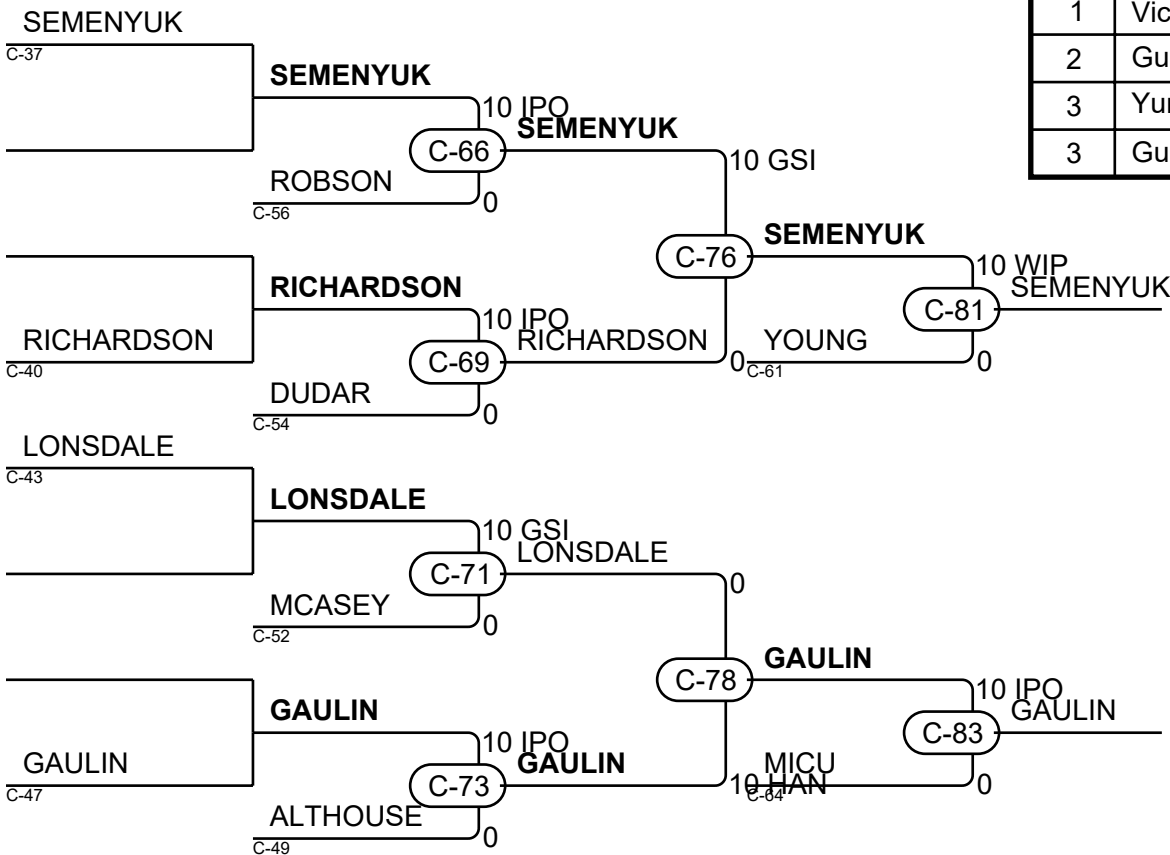
Competitors: 12

1. Lochlan YOUNG, Hart (1D)



Results

Pos	Name
1	Victor GOUGEON-GAZÉ, Shiddkan
2	Gunner FLOYD, Abbotsford
3	Yuriy SEMENYUK, Metropolitan
3	Guillaume GAULIN, Juvaldo inc



Competitors A

#	Name	Grade	Club	1	2	3	Wins	Pts	Pos
1	Judah KURPJUWEIT	O	Medicine Hat	XX			0	0	3
2	Nikola PETROVIC	BI	Burnaby	10	XX	10	2	20	1
3	Dylan ORDANO	BI	Steveston	10		XX	1	10	2

Matches A

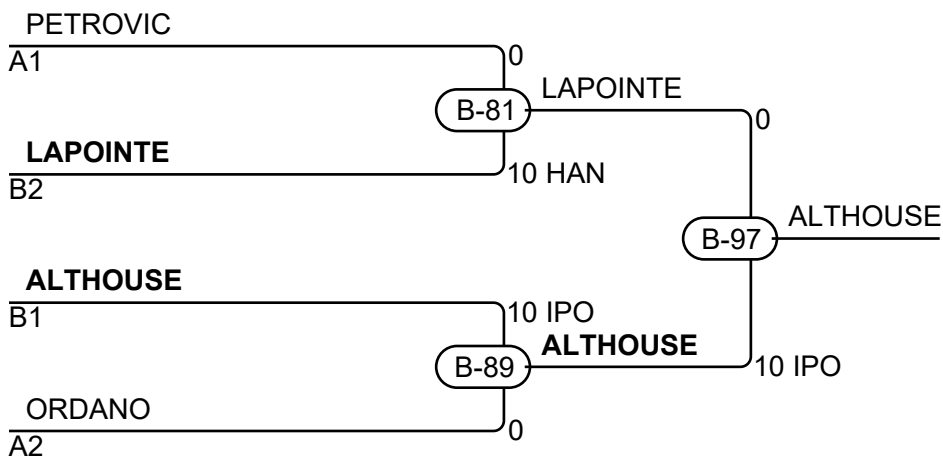
Match	White	Blue	Result	Time	Code
B-53	Judah KURPJUWEIT 1 2	Nikola PETROVIC	0 - 10	0:20	IPO
B-60	Judah KURPJUWEIT 1 3	Dylan ORDANO	0 - 10	0:25	IPO
B-69	Nikola PETROVIC 2 3	Dylan ORDANO	10 - 0	2:17	IPO

Competitors B

#	Name	Grade	Club	4	5	6	Wins	Pts	Pos
4	Pierce JING	BI	Steveston	XX			0	0	3
5	Taylor ALTHOUSE	BI	Lethbridge Kyodokan	10	XX	5	2	15	1
6	Renaud LAPOINTE	BI	Jonquiere Inc.	10		XX	1	10	2

Matches B

Match	White	Blue	Result	Time	Code
B-54	Pierce JING 4 5	Taylor ALTHOUSE	0 - 10	0:26	IPO
B-68	Pierce JING 4 6	Renaud LAPOINTE	0 - 10	0:15	IPO
B-76	Taylor ALTHOUSE 5 6	Renaud LAPOINTE	5 - 0	4:00	WAZ



Results

Pos	Name
1	Taylor ALTHOUSE, Lethbridge Kyodokan
2	Renaud LAPOINTE, Jonquiere Inc.
3	Nikola PETROVIC, Burnaby
3	Dylan ORDANO, Steveston

2019 Edmonton International

U18M -90 kg

Competitors: 2

Competitors

#	Name	Grade	Club	1	2	1	2	1	2	Wins	Pts	Pos
1	Ahmed GHANEM	Bl	St. Albert Tokai	XX	10	XX	10	XX		2	20	1
2	Shion CROOK	Bl	Hiro's		XX		XX		XX	0	0	2

Matches

Match	White			Blue	Result	Time	Code
D-57	Ahmed GHANEM	1	2	Shion CROOK	10 - 0	0:08	IPO
D-74	Shion CROOK	2	1	Ahmed GHANEM	0 - 10	2:23	WIP
D-94	Ahmed GHANEM	1	2	Shion CROOK			

Results

Pos	Name
1	Ahmed GHANEM, St. Albert Tokai

2019 Edmonton International

U18M +90 kg

Competitors: 3

Competitors

#	Name	Grade	Club	1	2	3	Wins	Pts	Pos
1	Nolan ELLIOT	BI	Kam Lake	XX	10	10	2	20	1
2	Briac GUEZILLE	BI	Police Judo Junior		XX	10	1	10	2
3	Ryley MCGARRY	BI	Lloydminster			XX	0	0	3

Matches

Match	White			Blue	Result	Time	Code
B-62	Nolan ELLIOT	1	2	Briac GUEZILLE	10 - 0	0:57	IPO
B-78	Nolan ELLIOT	1	3	Ryley MCGARRY	10 - 0	1:52	IPO
B-100	Briac GUEZILLE	2	3	Ryley MCGARRY	10 - 0	0:00	KIK

Results

Pos	Name
1	Nolan ELLIOT, Kam Lake
2	Briac GUEZILLE, Police Judo Junior

Competitors

#	Name	Grade	Club	1	2	3	4	Wins	Pts	Pos
1	Kimiko KAMSTRA	BI	Hart	XX	10			1	10	3
2	Brooke CORBETT	BI	Hart		XX			0	0	4
3	Léa ROY	1D	d'Asbestos-Dandeville	10	10	XX	10	3	30	1
4	Tami GOTO	1D	Prince George	10	5		XX	2	15	2

Matches

Match	White			Blue	Result	Time	Code
B-102	Kimiko KAMSTRA	1	2	Brooke CORBETT	10 - 0	0:32	IPO
B-105	Léa ROY	3	4	Tami GOTO	10 - 0	13:21	GSI
B-109	Kimiko KAMSTRA	1	3	Léa ROY	0 - 10	1:22	WIP
B-112	Brooke CORBETT	2	4	Tami GOTO	0 - 5	4:00	WAZ
B-116	Kimiko KAMSTRA	1	4	Tami GOTO	0 - 10	1:56	IPO
B-119	Brooke CORBETT	2	3	Léa ROY	0 - 10	0:56	WIP

Results

Pos	Name
1	Léa ROY, d'Asbestos-Dandeville
2	Tami GOTO, Prince George
3	Kimiko KAMSTRA, Hart

2019 Edmonton International

U21F -63 kg

Competitors: 2

Competitors

#	Name	Grade	Club	1	2	1	2	1	2	Wins	Pts	Pos
1	Sasha ZIGIC	1D	Nakamura	XX		XX		XX		0	0	2
2	Sierra TANNER	1D	Atlantic Training Center	5	XX	10	XX		XX	2	15	1

Matches

Match	White			Blue	Result	Time	Code
B-106	Sasha ZIGIC	1	2	Sierra TANNER	0 - 5	4:00	WAZ
B-113	Sierra TANNER	2	1	Sasha ZIGIC	10 - 0	4:30	GSI
B-120	Sasha ZIGIC	1	2	Sierra TANNER			

Results

Pos	Name
1	Sierra TANNER, Atlantic Training Center

2019 Edmonton International

U21F -70 kg

Competitors: 1

Competitors

#	Name	Grade	Club	1	Wins	Pts	Pos
1	Jane POLLEY	BI	Saskatoon YMCA	X	0	0	1

Matches

Match	White	Blue	Result	Time	Code
-------	-------	------	--------	------	------

Results

Pos	Name

2019 Edmonton International

U21M -60 kg

Competitors: 6

Competitors A

#	Name	Grade	Club	1	2	3	Wins	Pts	Pos
1	Arno BLACKIÈRE	1D	Jonquiere Inc.	XX	10		1	10	2
2	Maxwell YOUNG	1D	Hart		XX		0	0	3
3	Joel DEMAERE	1D	Lethbridge Kyodokan	10	10	XX	2	20	1

Matches A

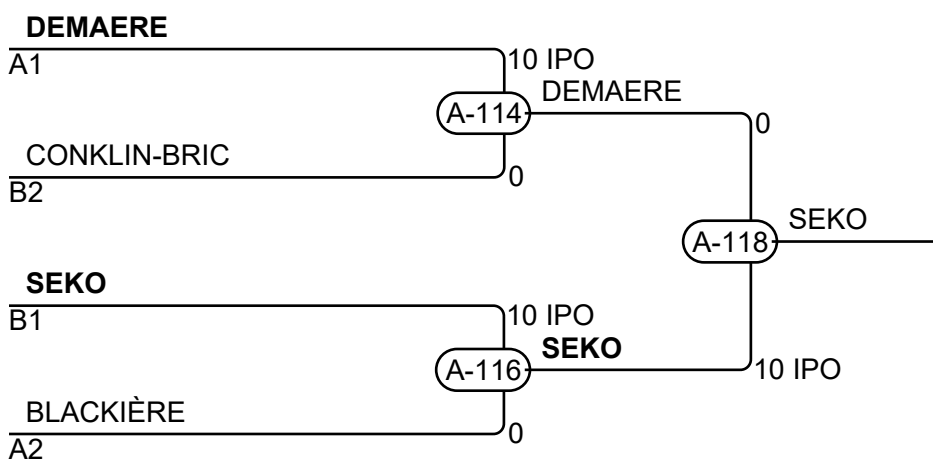
Match	White	Blue	Result	Time	Code
A-102	Arno BLACKIÈRE	1 2 Maxwell YOUNG	10 - 0	1:04	IPO
A-106	Arno BLACKIÈRE	1 3 Joel DEMAERE	0 - 10	4:36	GSW
A-110	Maxwell YOUNG	2 3 Joel DEMAERE	0 - 10	1:10	IPO

Competitors B

#	Name	Grade	Club	4	5	6	Wins	Pts	Pos
4	Thomas ESCOLAR	1D	Shidokan	XX			0	0	3
5	Kenshin SEKO	2D	Shigakkan University	5	XX	10	2	15	1
6	Ryan CONKLIN-BRIC	BI	Tora Judo Club	10		XX	1	10	2

Matches B

Match	White	Blue	Result	Time	Code
A-104	Thomas ESCOLAR	4 5 Kenshin SEKO	0 - 5	4:00	WAZ
A-108	Thomas ESCOLAR	4 6 Ryan CONKLIN-BRIC	0 - 10	0:34	HAN
A-112	Kenshin SEKO	5 6 Ryan CONKLIN-BRIC	10 - 0	1:19	IPO



Results

Pos	Name
1	Kenshin SEKO, Shigakkan University
2	Joel DEMAERE, Lethbridge Kyodokan
3	Ryan CONKLIN-BRIC, Tora Judo Club
3	Arno BLACKIÈRE, Jonquiere Inc.

2019 Edmonton International

U21M -66 kg

Competitors: 7

Competitors A

#	Name	Grade	Club	1	2	3	4	Wins	Pts	Pos
1	Bogdan JORA	1D	Shidokan	XX	10	10	10	3	30	1
2	Benjamin LEATHERDALE	BI	Kelowna		XX			0	0	4
3	Kanta AMAKAWA	1D	Shigakkan University		10	XX		1	10	3
4	Davin GREENWOOD	BI	Hart		10	10	XX	2	20	2

Matches A

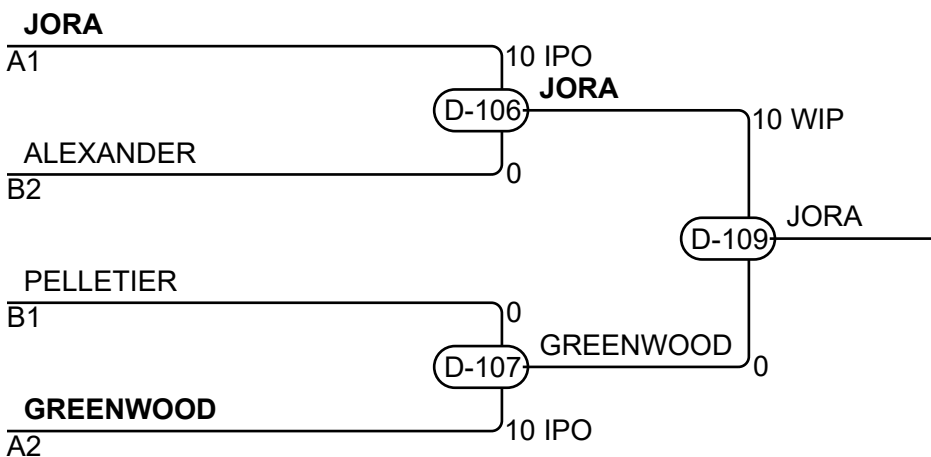
Match	White	Blue	Result	Time	Code
D-95	Bogdan JORA	1 2 Benjamin LEATHERDALE	10 - 0	1:40	IPO
D-96	Kanta AMAKAWA	3 4 Davin GREENWOOD	0 - 10	0:25	IPO
D-99	Bogdan JORA	1 3 Kanta AMAKAWA	10 - 0	0:18	IPO
D-100	Benjamin LEATHERDALE	2 4 Davin GREENWOOD	0 - 10	0:14	IPO
D-102	Bogdan JORA	1 4 Davin GREENWOOD	10 - 0	0:05	IPO
D-104	Benjamin LEATHERDALE	2 3 Kanta AMAKAWA	0 - 10	3:17	IPO

Competitors B

#	Name	Grade	Club	5	6	7	Wins	Pts	Pos
5	Malcolm PELLETIER	1D	Shidokan	XX	10	10	2	20	1
6	Lochlainn ALEXANDER	2D	Hayabusakan		XX	10	1	10	2
7	Billy GUBBINS	BI	Victoria			XX	0	0	3

Matches B

Match	White	Blue	Result	Time	Code
D-97	Malcolm PELLETIER	5 6 Lochlainn ALEXANDER	10 - 0	1:17	IPO
D-101	Malcolm PELLETIER	5 7 Billy GUBBINS	10 - 0	0:43	IPO
D-105	Lochlainn ALEXANDER	6 7 Billy GUBBINS	10 - 0	0:24	IPO



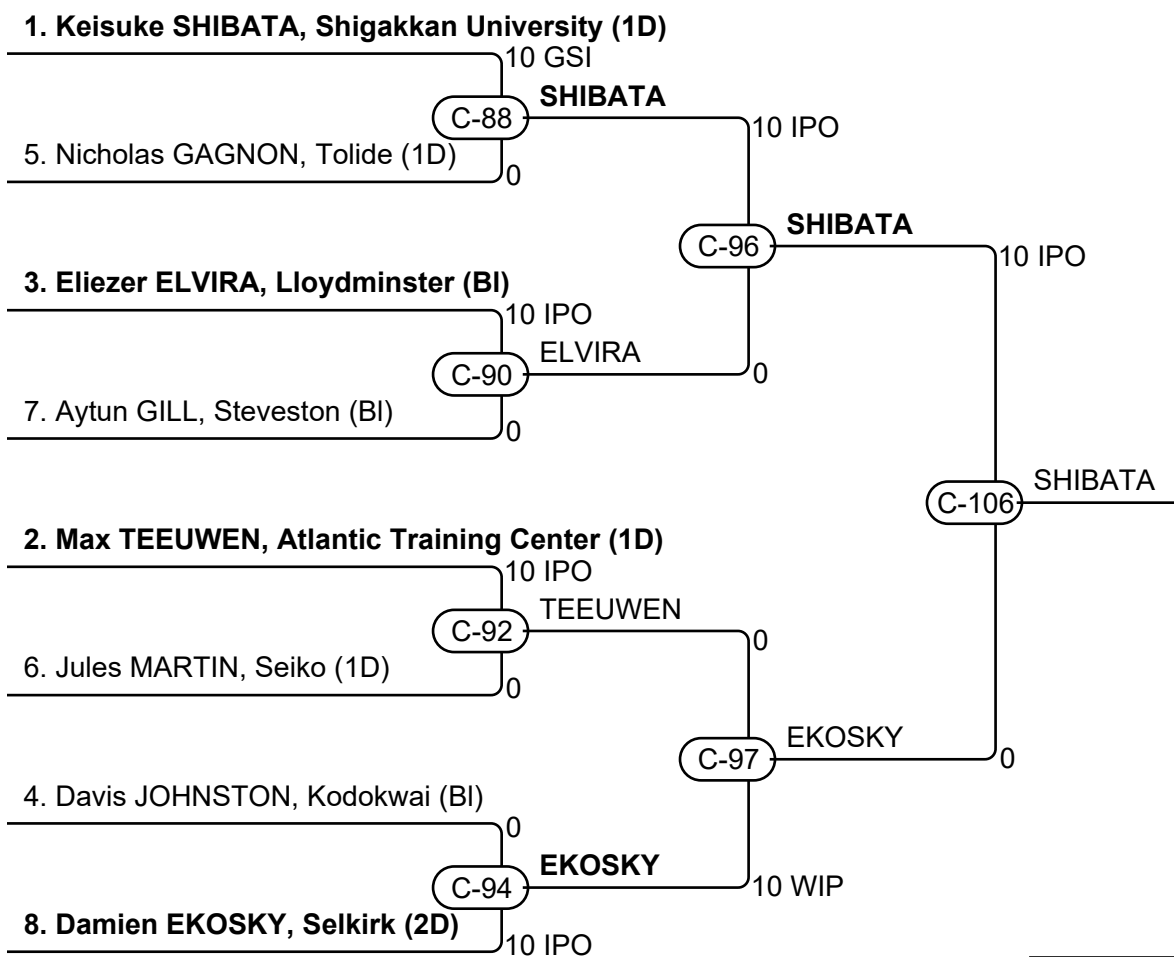
Results

Pos	Name
1	Bogdan JORA, Shidokan
2	Davin GREENWOOD, Hart
3	Lochlainn ALEXANDER, Hayabusakan
3	Malcolm PELLETIER, Shidokan

2019 Edmonton International

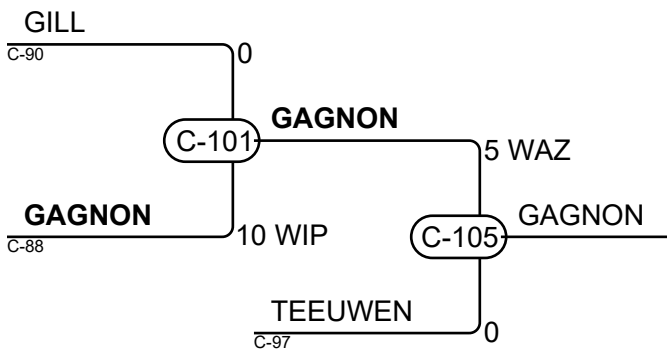
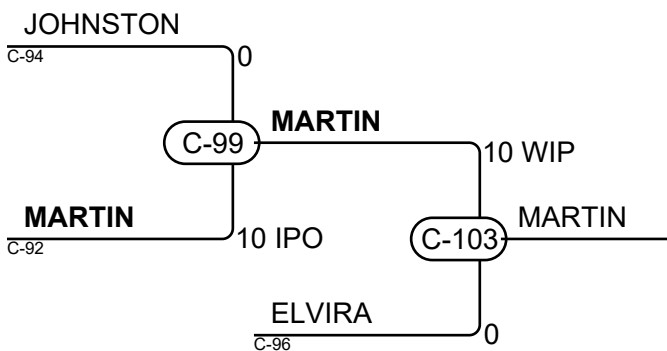
U21M -73 kg

Competitors: 8



Results

Pos	Name
1	Keisuke SHIBATA, Shigakkan University
2	Damien EKOSKY, Selkirk
3	Jules MARTIN, Seiko
3	Nicholas GAGNON, Tolide



Competitors A

#	Name	Grade	Club	1	2	3	Wins	Pts	Pos
1	Nicholas LANGLOIS	BI	Ajax	XX	10	10	2	20	1
2	Bailey MALINOWSKI	BI	Selkirk		XX		0	0	3
3	Zachary RENDER	BI	Lethbridge Kyodokan		10	XX	1	10	2

Matches A

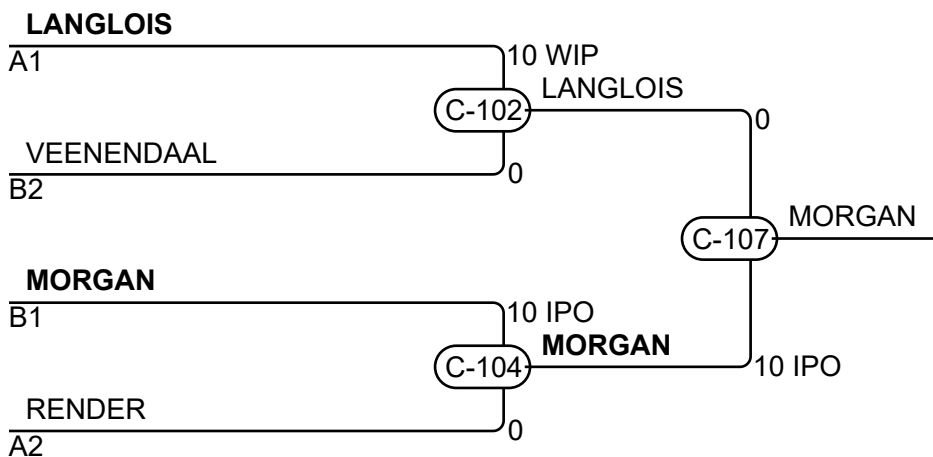
Match	White	Blue	Result	Time	Code
C-89	Nicholas LANGLOIS	1 2 Bailey MALINOWSKI	10 - 0	1:52	WIP
C-93	Nicholas LANGLOIS	1 3 Zachary RENDER	10 - 0	2:07	IPO
C-98	Bailey MALINOWSKI	2 3 Zachary RENDER	0 - 10	1:07	IPO

Competitors B

#	Name	Grade	Club	4	5	6	Wins	Pts	Pos
4	Carter VEENENDAAL	BI	Abbotsford	XX	10		1	10	2
5	Darrien JAMES-TIZYA	O/G	Hiroshikai		XX		0	0	3
6	Mckenzie MORGAN	1D	Airdrie Eidokan	10		XX	1	10	1

Matches B

Match	White	Blue	Result	Time	Code
C-91	Carter VEENENDAAL	4 5 Darrien JAMES-TIZYA	10 - 0	1:27	WIP
C-95	Carter VEENENDAAL	4 6 Mckenzie MORGAN	0 - 10	0:11	IPO
C-100	Darrien JAMES-TIZYA	5 6 Mckenzie MORGAN			



Results

Pos	Name
1	Mckenzie MORGAN, Airdrie Eidokan
2	Nicholas LANGLOIS, Ajax
3	Carter VEENENDAAL, Abbotsford
3	Zachary RENDER, Lethbridge Kyodokan

2019 Edmonton International

U21M -90 kg

Competitors: 5

Competitors

#	Name	Grade	Club	1	2	3	4	5	Wins	Pts	Pos
1	Ethan COBBE-HOGGAN	BI	Medicine Hat	XX					0	0	5
2	Sasha TANASIUK	BI	Kodokwai	10	XX	10			2	20	3
3	Nicolas LEVESQUE LESSARD	BI	Port Cartier	10		XX			1	10	4
4	Maxwell GRANT	1D	Victoria	10	10	5	XX		3	25	2
5	Jackson MINNICK	1D	Victoria	10	10	10	5	XX	4	35	1

Matches

Match	White			Blue	Result	Time	Code
A-101	Maxwell GRANT	4	5	Jackson MINNICK	0 - 5	4:00	WAZ
A-103	Ethan COBBE-HOGGAN	1	2	Sasha TANASIUK	0 - 10	0:48	WIP
A-105	Nicolas LEVESQUE LESSARD	3	4	Maxwell GRANT	0 - 5	4:00	WAZ
A-107	Ethan COBBE-HOGGAN	1	5	Jackson MINNICK	0 - 10	0:31	IPO
A-109	Sasha TANASIUK	2	3	Nicolas LEVESQUE LESSARD	10 - 0	1:27	IPO
A-111	Ethan COBBE-HOGGAN	1	4	Maxwell GRANT	0 - 10	0:34	IPO
A-113	Nicolas LEVESQUE LESSARD	3	5	Jackson MINNICK	0 - 10	0:51	IPO
A-115	Sasha TANASIUK	2	4	Maxwell GRANT	0 - 10	2:15	WIP
A-117	Ethan COBBE-HOGGAN	1	3	Nicolas LEVESQUE LESSARD	0 - 10	2:35	IPO
A-119	Sasha TANASIUK	2	5	Jackson MINNICK	0 - 10	0:23	IPO

Results

Pos	Name
1	Jackson MINNICK, Victoria
2	Maxwell GRANT, Victoria
3	Sasha TANASIUK, Kodokwai
4	Nicolas LEVESQUE LESSARD, Port Cartier

2019 Edmonton International

U21M +100 kg

Competitors: 2

Competitors

#	Name	Grade	Club	1	2	1	2	1	2	Wins	Pts	Pos
1	Wilson ELLIOT	BI	Kam Lake	XX	10	XX	10	XX		2	20	1
2	Toru IWAASA	BI	Swift Current		XX		XX		XX	0	0	2

Matches

Match	White			Blue	Result	Time	Code
D-98	Wilson ELLIOT	1	2	Toru IWAASA	10 - 0	3:04	WIP
D-103	Toru IWAASA	2	1	Wilson ELLIOT	0 - 10	0:01	IPO
D-108	Wilson ELLIOT	1	2	Toru IWAASA			

Results

Pos	Name
1	Wilson ELLIOT, Kam Lake

2019 Edmonton International

VETM35 -73 kg

Competitors: 5

Competitors

#	Name	Grade	Club	1	2	3	4	5	Wins	Pts	Pos
1	Rashad CHIN	3D	Kodokwai	XX	10	10	10	10	4	40	1
2	Ivan ZALESKIKH	Bl	St. Albert Tokai		XX	10	10	10	3	30	2
3	Riley MARUYAMA	3D	Westminster			XX	10	10	2	20	3
4	Amin MOAZENI	1D	U of A				XX		0	0	5
5	Jason WOO	1D	U of A				5	XX	1	5	4

Matches

Match	White			Blue	Result	Time	Code
C-1	Amin MOAZENI	4	5	Jason WOO	0 - 5	3:00	WAZ
C-2	Rashad CHIN	1	2	Ivan ZALESKIKH	10 - 0	1:07	WIP
C-3	Riley MARUYAMA	3	4	Amin MOAZENI	10 - 0	0:19	IPO
C-4	Rashad CHIN	1	5	Jason WOO	10 - 0	0:35	IPO
C-5	Ivan ZALESKIKH	2	3	Riley MARUYAMA	10 - 0	0:11	IPO
C-6	Rashad CHIN	1	4	Amin MOAZENI	10 - 0	0:43	WIP
C-8	Riley MARUYAMA	3	5	Jason WOO	10 - 0	1:27	IPO
C-9	Ivan ZALESKIKH	2	4	Amin MOAZENI	10 - 0	0:23	IPO
C-11	Rashad CHIN	1	3	Riley MARUYAMA	10 - 0	0:46	IPO
C-12	Ivan ZALESKIKH	2	5	Jason WOO	10 - 0	1:25	IPO

Results

Pos	Name
1	Rashad CHIN, Kodokwai
2	Ivan ZALESKIKH, St. Albert Tokai
3	Riley MARUYAMA, Westminster
4	Jason WOO, U of A

2019 Edmonton International

VETM45 -73 kg

Competitors: 2

Competitors

#	Name	Grade	Club	1	2	1	2	1	2	Wins	Pts	Pos
1	Tim TAKAHASHI	2D	Lethbridge Kyodokan	XX		XX		XX		0	0	2
2	Marc SAINT-MARTIN	1D	St. Albert Tokai	10	XX	10	XX		XX	2	20	1

Matches

Match	White			Blue	Result	Time	Code
D-4	Tim TAKAHASHI	1	2	Marc SAINT-MARTIN	0 - 10	6:00	GSI
D-6	Marc SAINT-MARTIN	2	1	Tim TAKAHASHI	10 - 0	2:04	IPO
D-9	Tim TAKAHASHI	1	2	Marc SAINT-MARTIN			

Results

Pos	Name
1	Marc SAINT-MARTIN, St. Albert Tokai

2019 Edmonton International

VETM30 -90 kg

Competitors: 3

Competitors

#	Name	Grade	Club	1	2	3	Wins	Pts	Pos
1	Anthony MACLEAN	Y	Hoku Sei Kan	XX			0	0	3
2	Ezra LALONDE	1D	South Corman Park	10	XX	10	2	20	1
3	Wade CAMPBELL	BI	Portage	10		XX	1	10	2

Matches

Match	White		Blue		Result	Time	Code
A-1	Anthony MACLEAN	1 2	Ezra LALONDE		0 - 10	1:08	IPO
A-3	Anthony MACLEAN	1 3	Wade CAMPBELL		0 - 10	0:16	IPO
A-6	Ezra LALONDE	2 3	Wade CAMPBELL		10 - 0	0:41	IPO

Results

Pos	Name
1	Ezra LALONDE, South Corman Park
2	Wade CAMPBELL, Portage

2019 Edmonton International

VETM35 -90 kg

Competitors: 3

Competitors

#	Name	Grade	Club	1	2	3	Wins	Pts	Pos
1	Robin KURPJUWEIT	G	Medicine Hat	XX			0	0	3
2	Kyle CROWELL	1D	St. Albert Tokai	10	XX	5	2	15	1
3	Jeremy THOMPSON	1D	Prince George	10		XX	1	10	2

Matches

Match	White			Blue	Result	Time	Code
D-1	Robin KURPJUWEIT	1	2	Kyle CROWELL	0 - 10	0:53	IPO
D-2	Robin KURPJUWEIT	1	3	Jeremy THOMPSON	0 - 10	0:12	IPO
D-8	Kyle CROWELL	2	3	Jeremy THOMPSON	5 - 0	3:00	WAZ

Results

Pos	Name
1	Kyle CROWELL, St. Albert Tokai
2	Jeremy THOMPSON, Prince George

2019 Edmonton International

VETM40 -90 kg

Competitors: 3

Competitors

#	Name	Grade	Club	1	2	3	Wins	Pts	Pos
1	Joseph PARRELL	1D	Tokugawa	XX			0	0	3
2	Shawn VEENENDAAL	1D	Hayabusa Training Centre	10	XX		1	10	2
3	Christopher SMILEY	2D	Lake Country	10	10	XX	2	20	1

Matches

Match	White		Blue		Result	Time	Code
B-1	Joseph PARRELL	1 2	Shawn VEENENDAAL		0 - 10	1:45	IPO
B-2	Joseph PARRELL	1 3	Christopher SMILEY		0 - 10	0:01	IPO
B-2	Shawn VEENENDAAL	2 3	Christopher SMILEY		0 - 10	0:14	IPO

Results

Pos	Name
1	Christopher SMILEY, Lake Country
2	Shawn VEENENDAAL, Hayabusa Training Centre

2019 Edmonton International

VETM45 -90 kg

Competitors: 3

Competitors

#	Name	Grade	Club	1	2	3	Wins	Pts	Pos
1	John KEIRSTEAD	1D	Shidokai	XX	10		1	10	2
2	Peter DEVEREUX	BI	Delta Kaigan		XX		0	0	3
3	Joshua MACKENZIE	BI	Hiro's	10	10	XX	2	20	1

Matches

Match	White			Blue	Result	Time	Code
C-7	John KEIRSTEAD	1	2	Peter DEVEREUX	10 - 0	0:54	IPO
C-10	John KEIRSTEAD	1	3	Joshua MACKENZIE	0 - 10	1:47	IPO
C-13	Peter DEVEREUX	2	3	Joshua MACKENZIE	0 - 10	0:42	IPO

Results

Pos	Name
1	Joshua MACKENZIE, Hiro's
2	John KEIRSTEAD, Shidokai

2019 Edmonton International

VETM30 +90 kg

Competitors: 5

Competitors

#	Name	Grade	Club	1	2	3	4	5	Wins	Pts	Pos
1	Luis SALAZAR	3D	Kodokwai	XX	10	10	10	10	4	40	1
2	Danny RUPERT	Y	Tolide		XX			10	1	10	4
3	Chris HODGSON	1D	Saskatoon YMCA		10	XX		10	2	20	3
4	Jerko SIMUNDZA	2D	St. Albert Tokai		10	5	XX	10	3	25	2
5	Tamas VIRAG	BI	Lethbridge Kyodokan					XX	0	0	5

Matches

Match	White			Blue	Result	Time	Code
A-2	Jerko SIMUNDZA	4	5	Tamas VIRAG	10 - 0	1:24	WIP
A-3	Luis SALAZAR	1	2	Danny RUPERT	10 - 0	0:12	IPO
A-4	Chris HODGSON	3	4	Jerko SIMUNDZA	0 - 5	3:00	WAZ
A-5	Luis SALAZAR	1	5	Tamas VIRAG	10 - 0	0:37	IPO
A-1	Danny RUPERT	2	3	Chris HODGSON	0 - 10	0:45	WIP
A-2	Luis SALAZAR	1	4	Jerko SIMUNDZA	10 - 0	0:35	IPO
A-4	Chris HODGSON	3	5	Tamas VIRAG	10 - 0	1:55	WIP
A-5	Danny RUPERT	2	4	Jerko SIMUNDZA	0 - 10	0:12	IPO
A-7	Luis SALAZAR	1	3	Chris HODGSON	10 - 0	1:05	IPO
A-8	Danny RUPERT	2	5	Tamas VIRAG	10 - 0	2:03	IPO

Results

Pos	Name
1	Luis SALAZAR, Kodokwai
2	Jerko SIMUNDZA, St. Albert Tokai
3	Chris HODGSON, Saskatoon YMCA
4	Danny RUPERT, Tolide

2019 Edmonton International

VETM40 +90 kg

Competitors: 4

Competitors

#	Name	Grade	Club	1	2	3	4	Wins	Pts	Pos
1	Scot MCALPINE	BI	Medicine Hat	XX				0	0	4
2	Simon TREMBLAY	1D	Kodokwai	10	XX			1	10	3
3	Brent THOMPSON	2D	Nakamura	10	5	XX		2	15	2
4	Mark PIVOVAR	2D	Rodrigo Resende	10	10	10	XX	3	30	1

Matches

Match	White			Blue	Result	Time	Code
B-3	Scot MCALPINE	1	2	Simon TREMBLAY	0 - 10	0:28	IPO
B-4	Brent THOMPSON	3	4	Mark PIVOVAR	0 - 10	0:27	IPO
B-5	Scot MCALPINE	1	3	Brent THOMPSON	0 - 10	1:22	IPO
B-1	Simon TREMBLAY	2	4	Mark PIVOVAR	0 - 10	1:22	WIP
B-3	Scot MCALPINE	1	4	Mark PIVOVAR	0 - 10	0:20	IPO
B-4	Simon TREMBLAY	2	3	Brent THOMPSON	0 - 5	3:00	WAZ

Results

Pos	Name
1	Mark PIVOVAR, Rodrigo Resende
2	Brent THOMPSON, Nakamura
3	Simon TREMBLAY, Kodokwai

2019 Edmonton International

VETM45 +90 kg

Competitors: 3

Competitors

#	Name	Grade	Club	1	2	3	Wins	Pts	Pos
1	Todd DEN ENGELESON	BI	Hiro's	XX	10		1	10	1
2	Craig COUGHLAN	G	Hiro's		XX	10	1	10	3
3	Anthony PLUMTREE	BI	Aberdeen	10		XX	1	10	2

Matches

Match	White		Blue		Result	Time	Code
D-3	Todd DEN ENGELESON	1 2	Craig COUGHLAN		10 - 0	2:19	IPO
D-5	Todd DEN ENGELESON	1 3	Anthony PLUMTREE		0 - 10	4:01	GSW
D-7	Craig COUGHLAN	2 3	Anthony PLUMTREE		10 - 0	0:39	WIP

Results

Pos	Name
1	Todd DEN ENGELESON, Hiro's
2	Anthony PLUMTREE, Aberdeen
3	Craig COUGHLAN, Hiro's